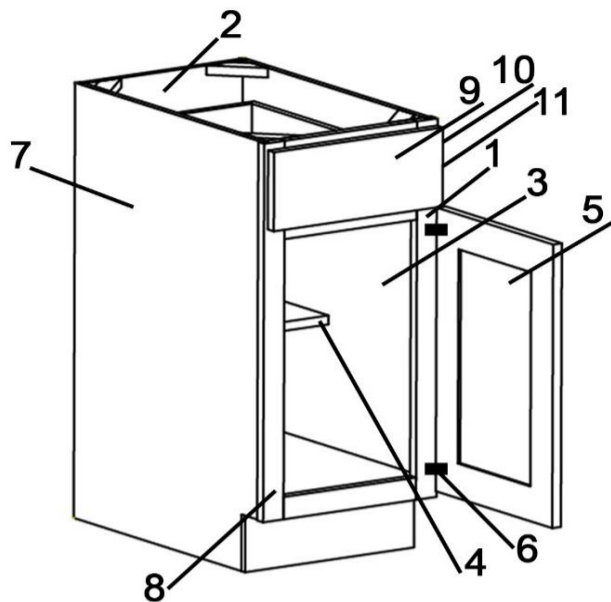
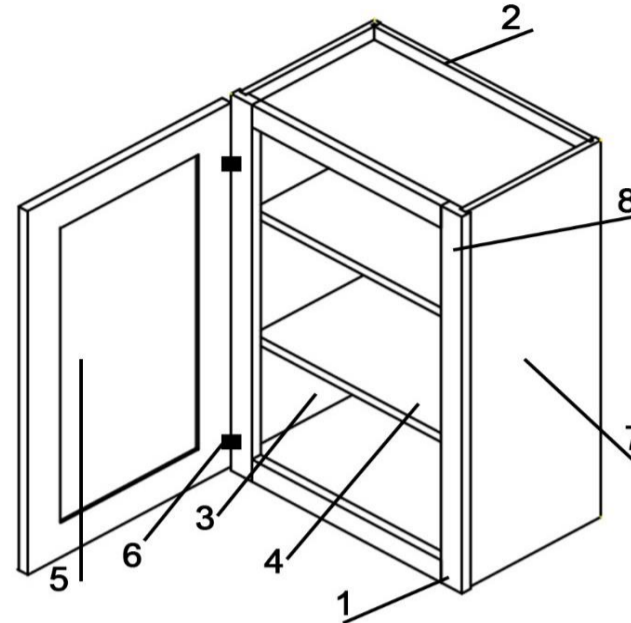


CABINET SPECIFICATIONS

BASE CABINET



WALL CABINET



1. 3/4" HARDWOOD FACE FRAMES WITH GLUED AND POCKET SCREWED JOINTS.
2. 3/8" PARTICLE BOARD BACK WITH MAPLE PRINT INTERIOR.
3. 3/8" PARTICLE BOARD SIDES, TOPS AND BOTTOMS, WITH MAPLE PRINT INTERIOR.
4. 5/8" PARTICLE BOARD SHELVING WITH A MAPLE PRINT ON BOTH SIDES AND ONE EDGE.
ALL SHELVES ARE ADJUSTABLE WITH BASE CABINETS HAVING 1/2 DEPTH SHELVES,
SUPPORTED BY SHELF CLIPS.
5. PIONEER DOOR IS A 3/16" ENGINEERED, VENEERED FLAT PANEL WITH 2 1/4" HARDWOOD
STILES AND RAILS. HIGHLAND DOOR STYLE IS A 3/4" ENGINEERED WOOD PANEL WITH SOFTENED EDGES.
6. ONE PIECE ADJUSTABLE HINGE.
DOOR UPGRADE OPTION:
1. ADJUSTABLE SOFTCLOSE HINGE
7. ENDS WILL BE A CLOSELY MATCHING PRINT TO THE FINISH SELECTION.
8. STANDARD FINISH CONSISTS OF NON WIPING STAIN, A COAT OF SELF SEALING CONVERSION VARNISH & A
TOP COAT OF CONVERSION VARNISH. FINISH THINCKNESS APPROXIMATELY 7 MIL. WET.
9. 3/4" HARDWOOD DRAWER FRONTS, PAINTED MAPLE WILL BE 3/4" HDF FRONTS.
10. SELF ADJUSTING EPOXY COATED 3/4 EXTENSION SIDE MOUNT DRAWER GUIDES.
TRACK UPGRADE OPTION
1. UPGRADE TO A BLUM 7/8 EXTENION UNDERMOUNT SOFT CLOSE TRACK
11. DRAWER BOX - 1/2" RABBETED BALTIC BIRCH DRAWER WITH 1/4" FLOOR, AND 3/4 EXTENSION SIDE MOUNT.
DRAWER UPGRADE OPTION
1. DOVETAIL DRAWER BOX WITH BLUM 7/8 EXTENION UNDERMOUNT SOFT CLOSE TRACK