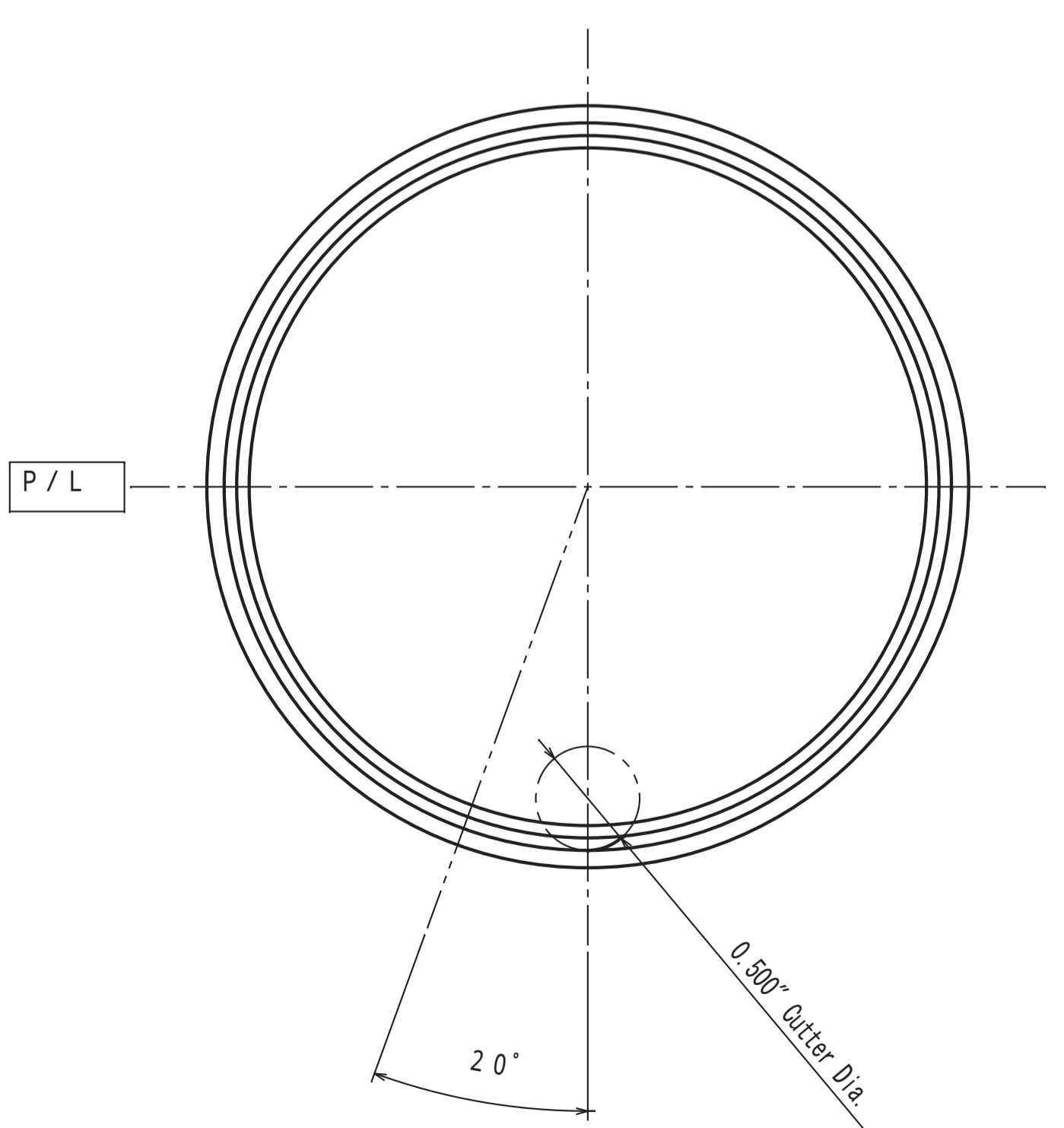
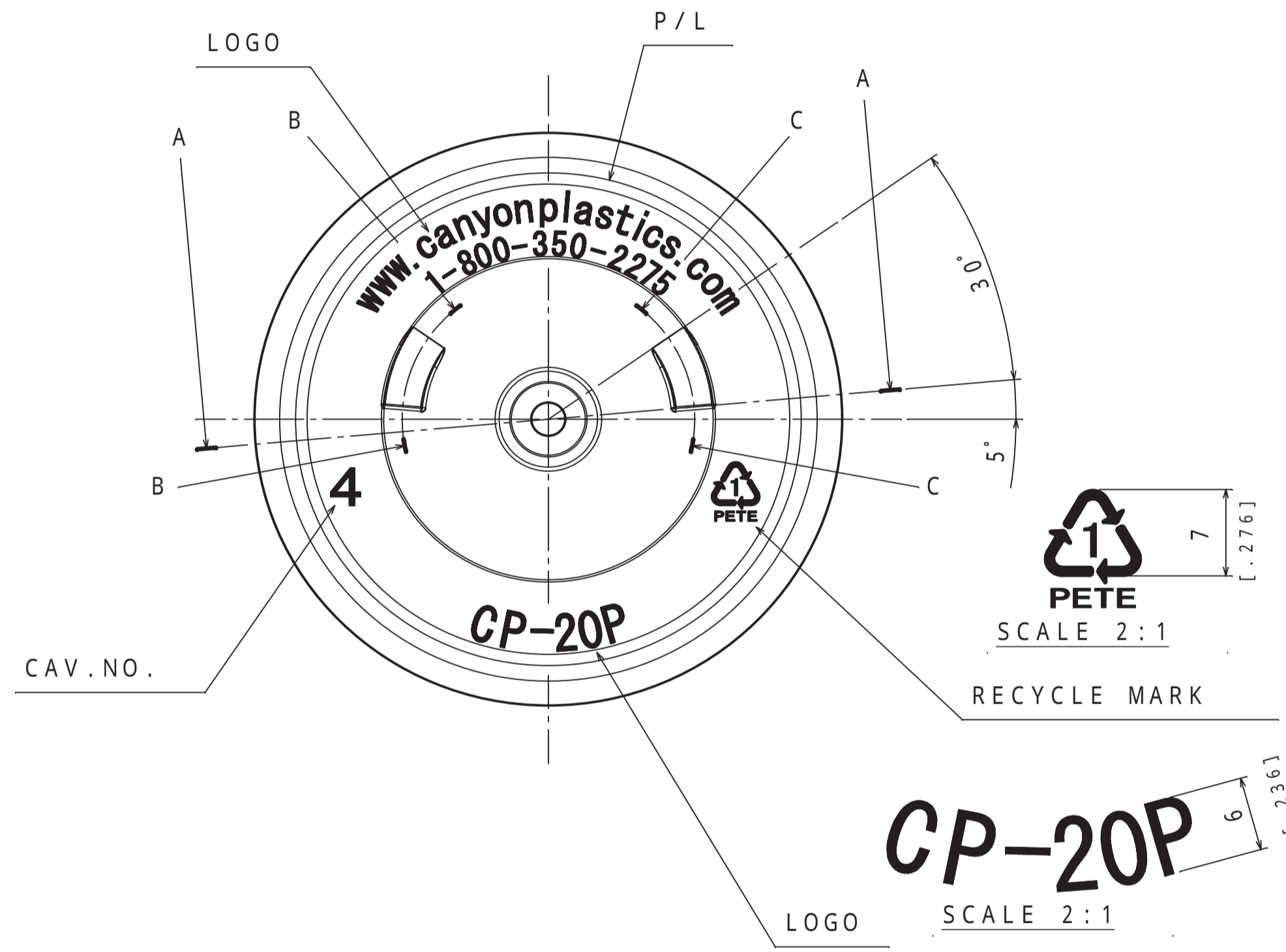


[www.canyonplastics.com](http://www.canyonplastics.com)  
 1-800-350-2275  
 SCALE 2:1



**Canyon Plastics, Inc.**

28455 Livingston Ave,  
 Valenica, CA 91355  
 Phone: (661)257-4293 Fax: (661) 257-1680

TITLE	CP-20-89PET	DATE	
	20oz Round Canister 89 MM	REV:	N/A
SCALE	1:1	DRAWING NO:	
CAPACITY	20 oz.		
RESIN	PET		
NECK FINISH	M89-SP400 MOD.		
WEIGHT (GR)	37.5 Gr +/- 1.5Gr		
O.F.C.	22.385 fl oz / 662 ML Liquid		