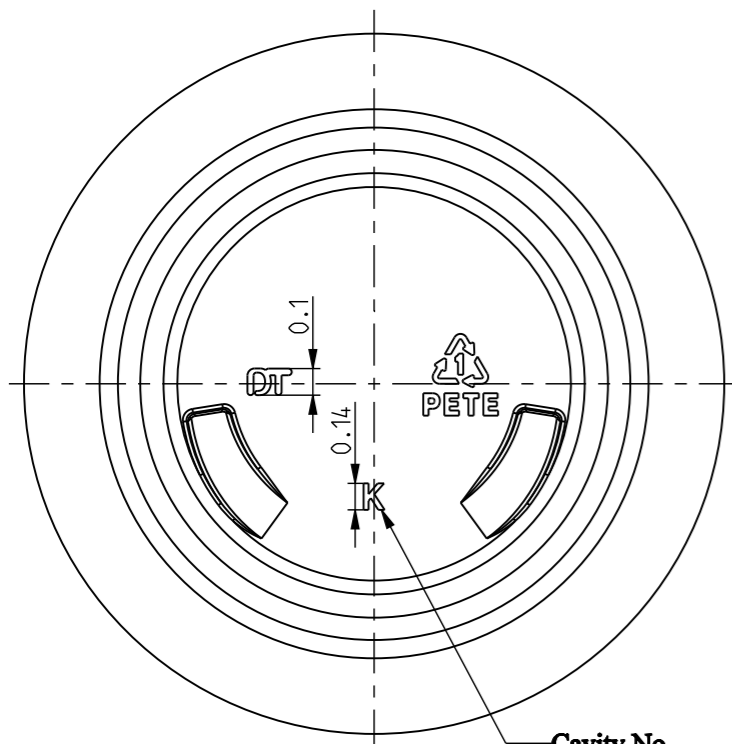
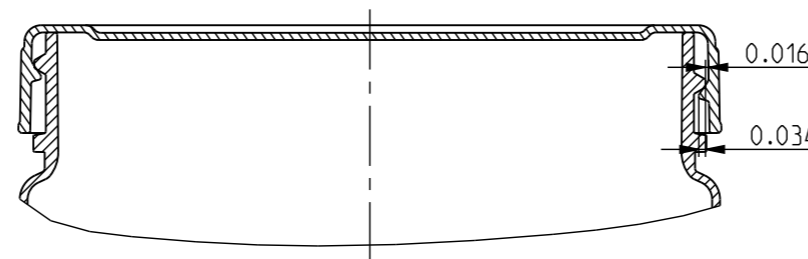


ASSEMBLY



Cavity No.

BOTTOM VIEW

Use preform Ø 89mm -SP400 -70g_Drawing No.:I-P8970

28/02/2015	Modified:0.08→0.1; R0.06→R0.02		
07/02/2015	Modified: 0.14→0.08.		
20/11/2014	First revision		
Date	Modification		
Position	Designed	Checked	Approved
Name	My Lạc		
Signature			
Date	28/02/2015		
Drawing Name :			
ROUND BOTTLE Ø 89MM - 25OZ			
	Material	Weight	Volume
	PET	70g±2	875ml±15
	Drawing No.	Page	Revision
	01714	1/1	02
	Size	Scale	
	A3	1:1	

