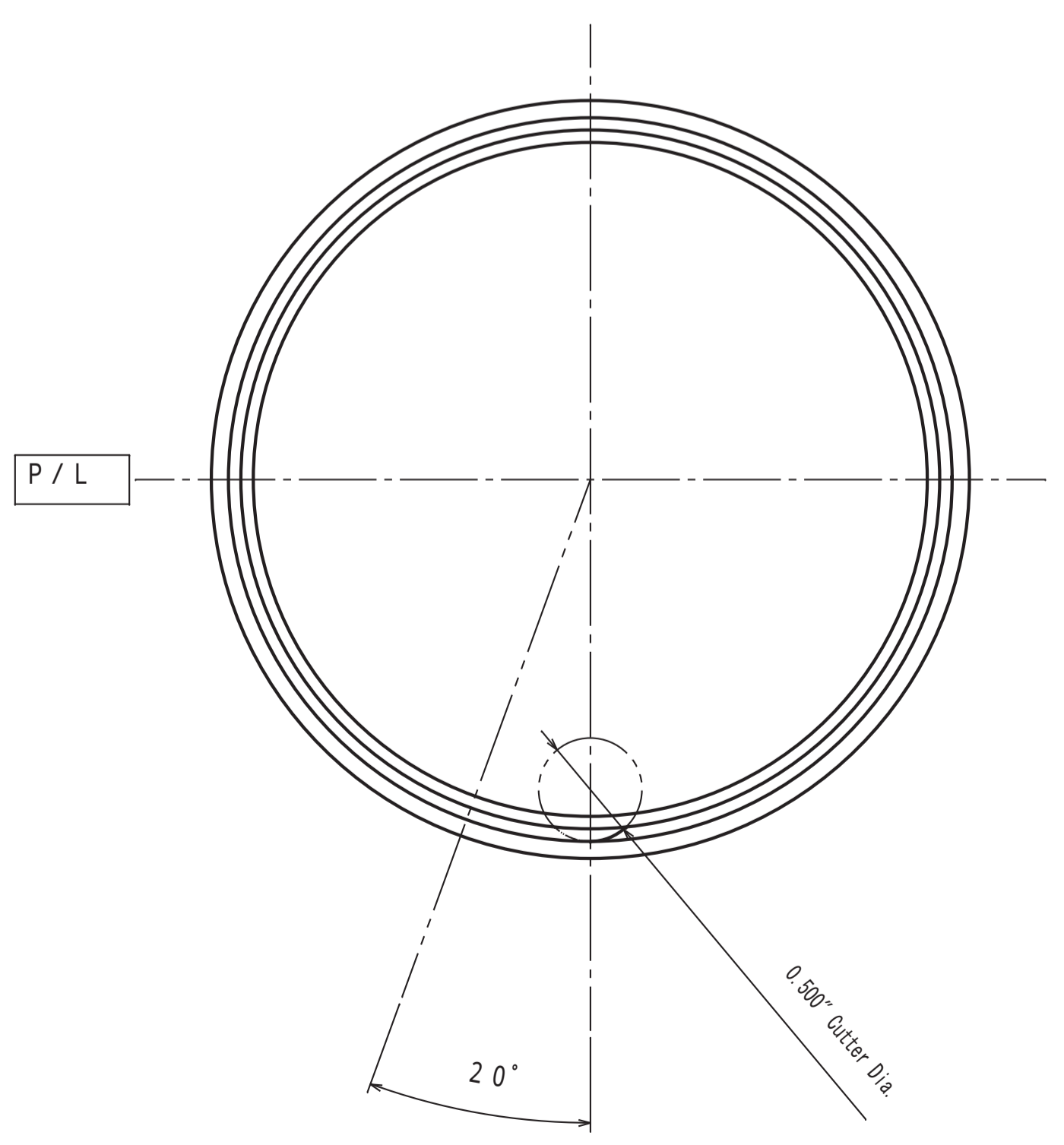
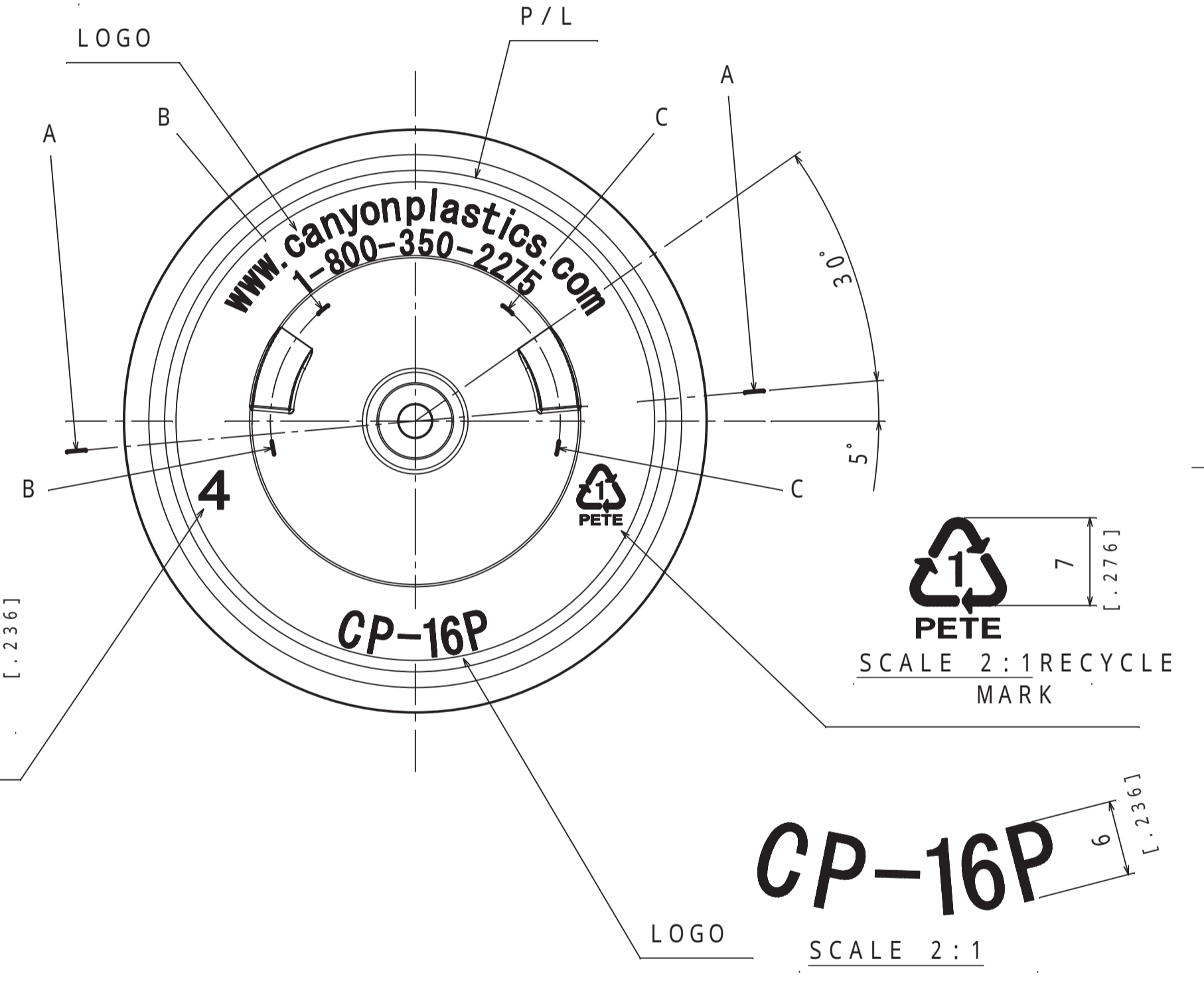


[www.canyonplastics.com](http://www.canyonplastics.com)  
 1-800-350-2275

SCALE 2:1

4  
 SCALE 2:1  
 CAV. NO.



<b>Canyon Plastics, Inc.</b>	
28455 Livingston Ave, Valencia, CA 91355 Phone: (661)257-4293 Fax: (661) 257-1680	
TITLE:	CP-16-89PET
DATE:	
REV:	N/A
SCALE:	1:1
DRAWING NO.:	
CAPACITY	16 oz.
RESIN	PET
NECK FINISH	M89-SP400 MOD.
WEIGHT (GR)	37.5 Gr +/- 1.5Gr
O.F.C.	17.482 fl oz / 517 ML Liquid