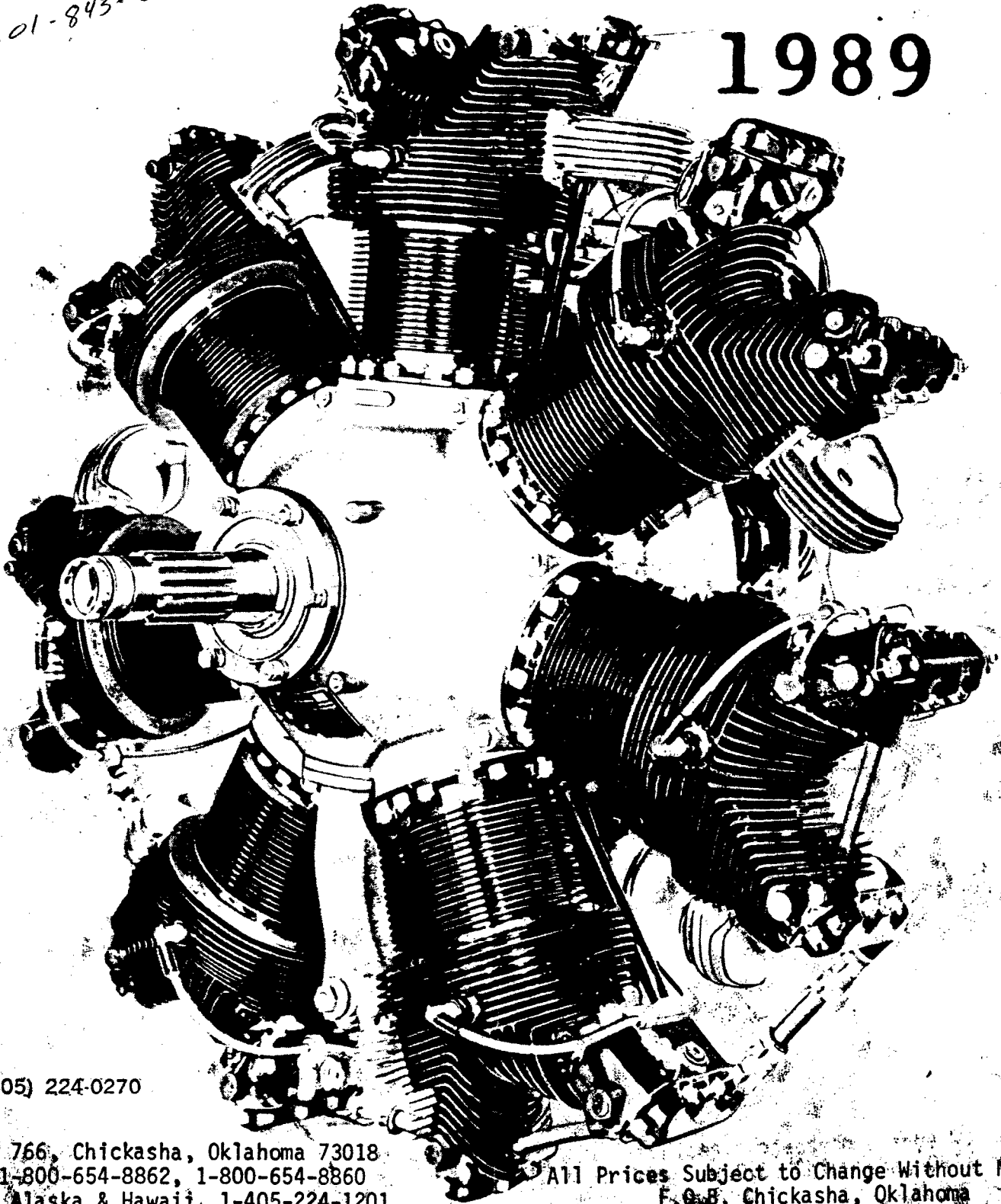


CONTINENTAL W 670 AIRCRAFT ENGINES

1601-843-0803

1989



FAX (405) 224-0270

P.O. Box 766, Chickasha, Oklahoma 73018
Phones 1-800-654-8862, 1-800-654-8860
Oklahoma, Alaska & Hawaii, 1-405-224-1201

All Prices Subject to Change Without Notice,
F.O.B. Chickasha, Oklahoma

Dusters & Sprayers Supply, Inc.

Across From Municipal Airport — Chickasha, Oklahoma 73018
Box 766 ... Area Code 405/224/1201

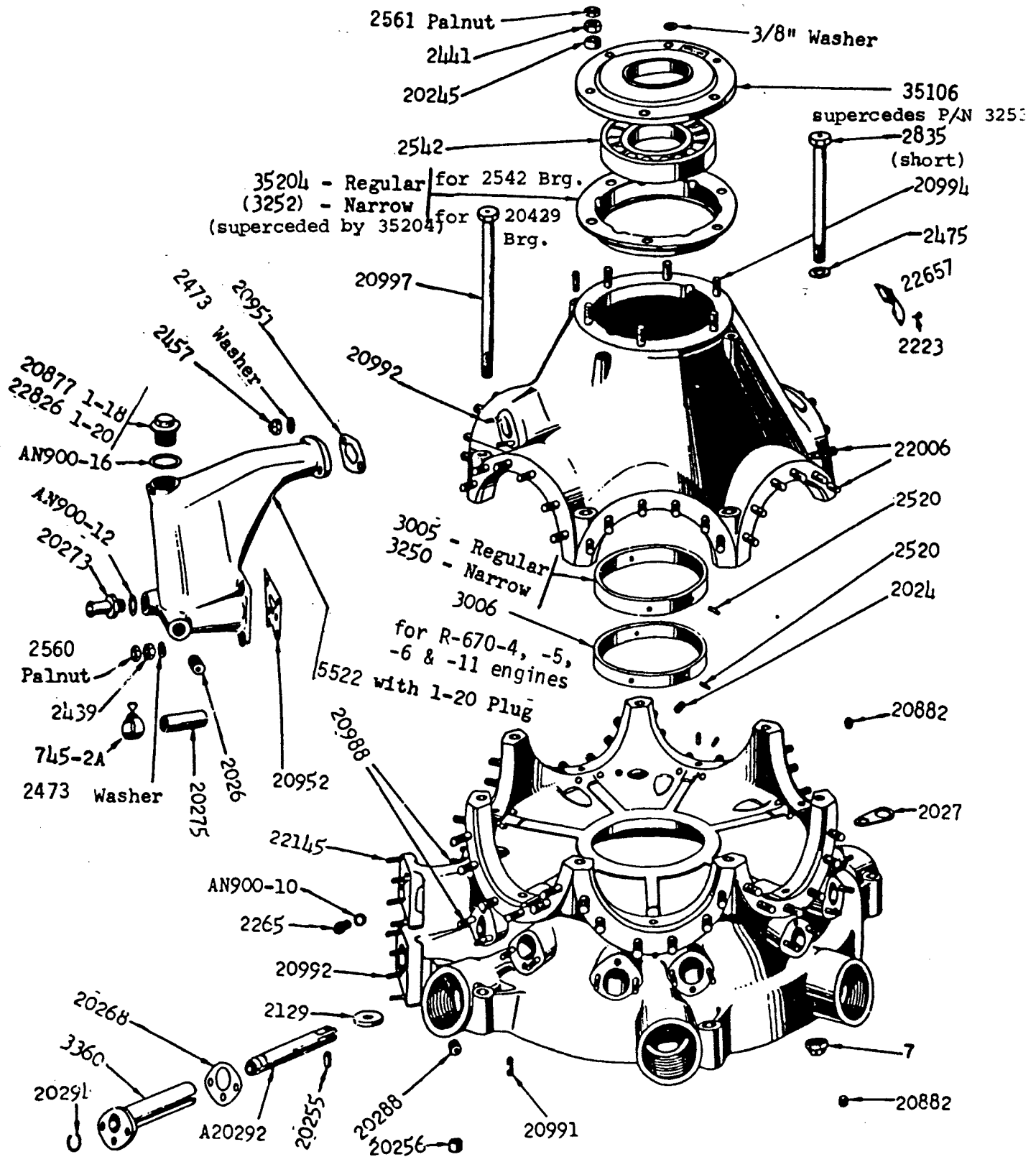
ALL ENGINE PARTS SHOWN IN THIS CATALOG ARE FOR THE U. S. ARMY AIR CORP AND NAVY MILITARY ENGINES ORIGINALLY INSTALLED ON THE STEARMAN AT THE BOEING FACTORY.

GENERAL DESCRIPTION

Air Corp Designation	Navy Designation	Civilian Designation
R-670-5	R-670-5	W-670-6A
R-670-4 & -11	R-670-4	W-670-6N
	R-670-8	W-670-17

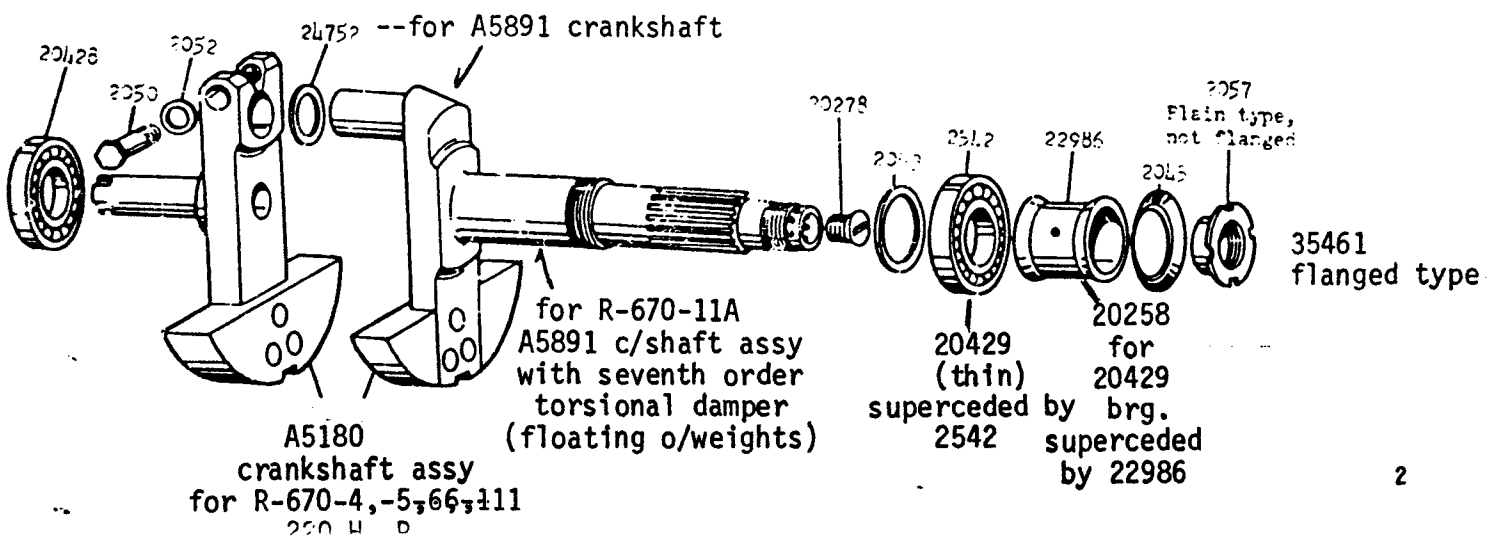
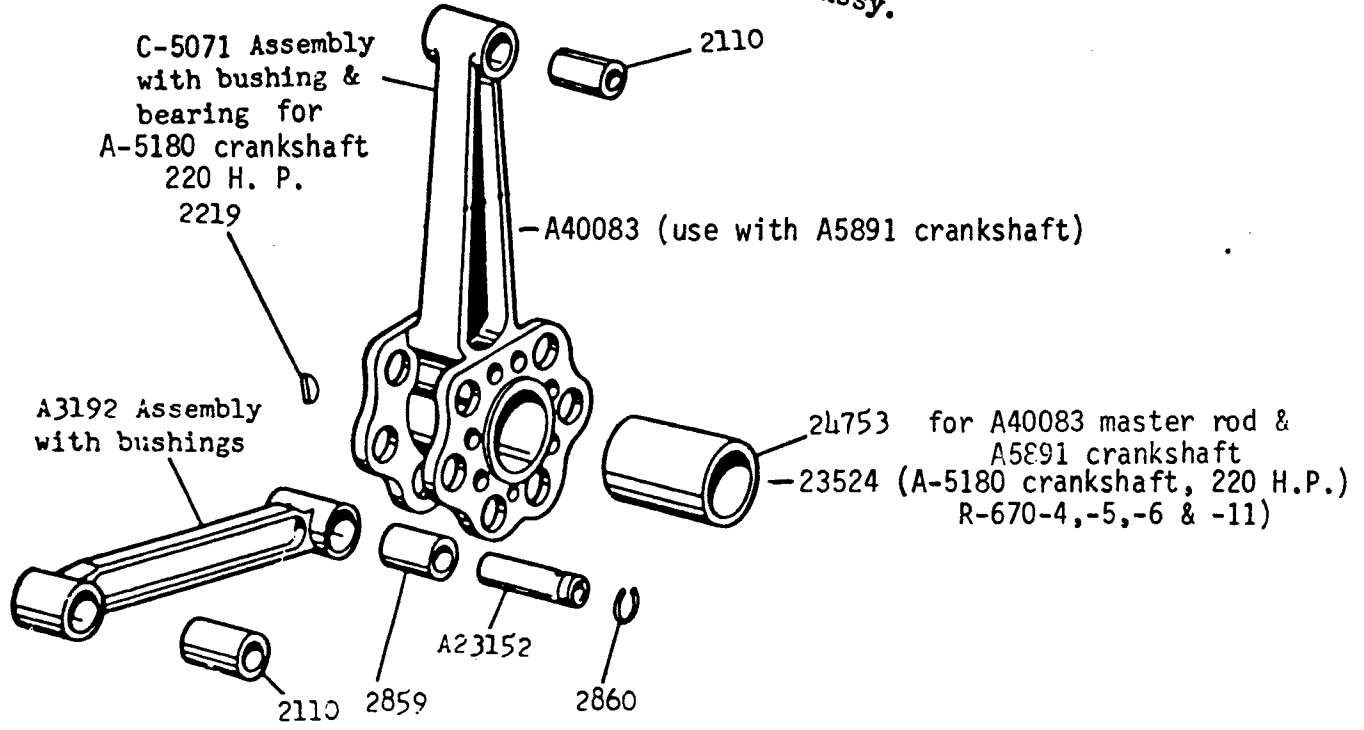
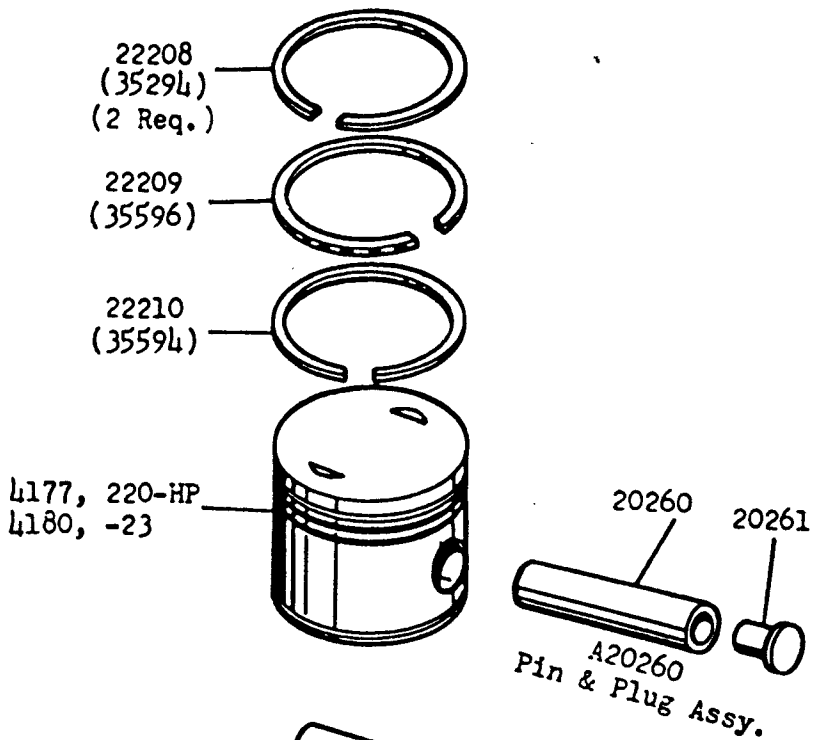
ALL PARTS SUBJECT TO PRICE CHANGE AND CONDITION WITHOUT NOTICE.

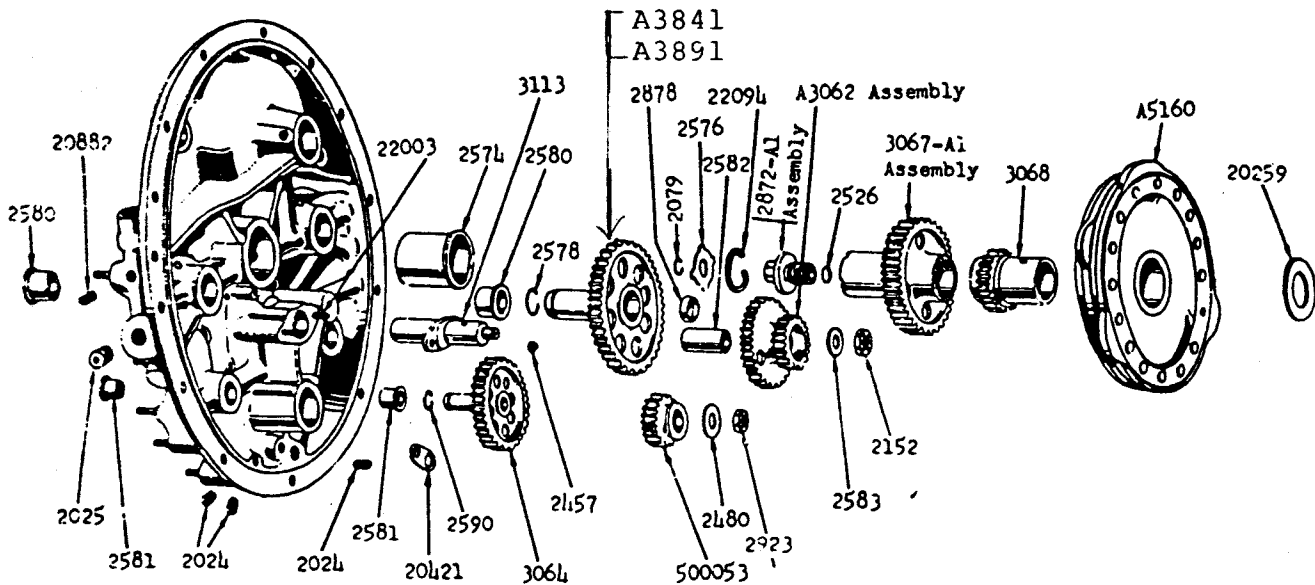
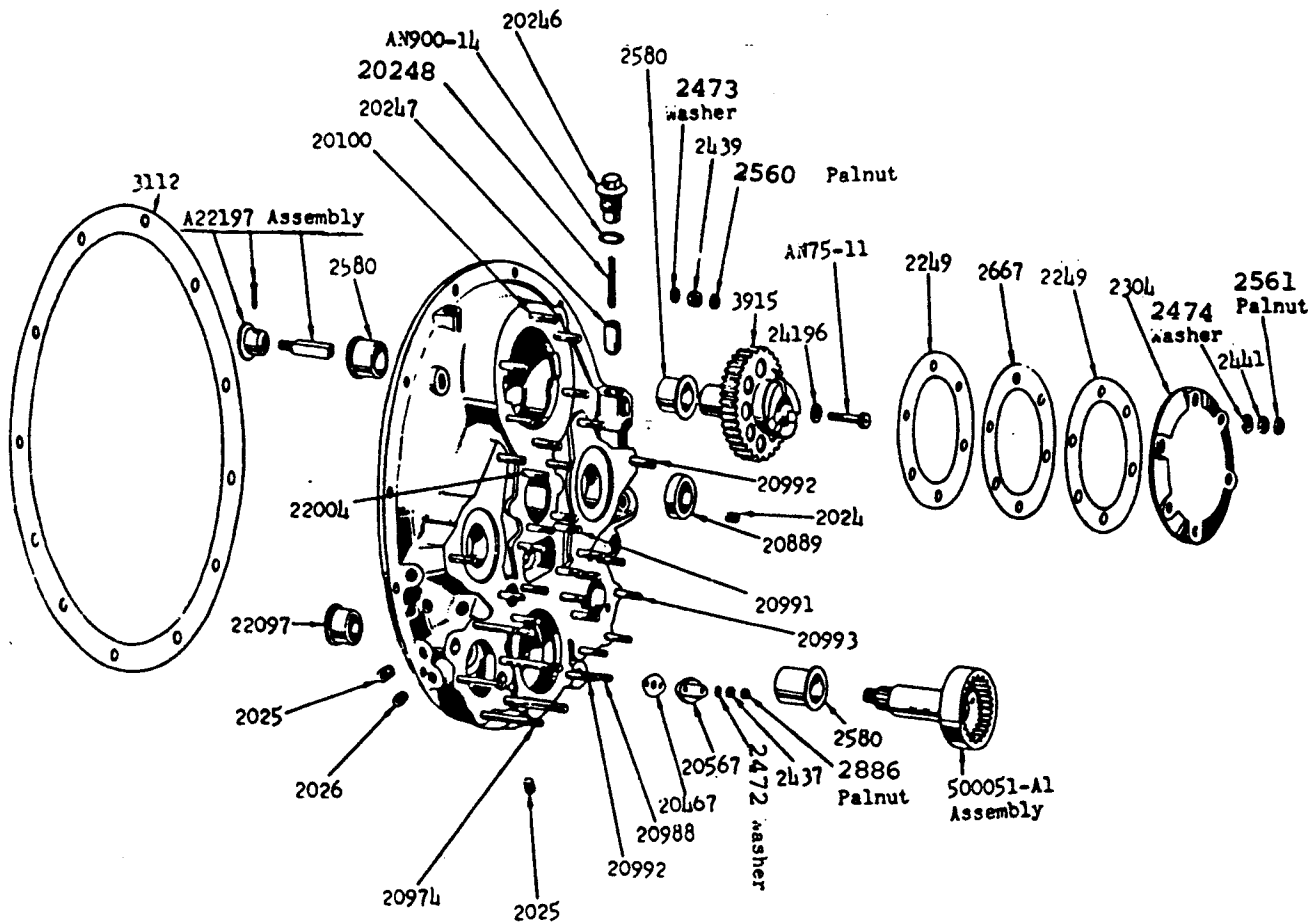
ALL PARTS PRICED F.O.B. CHICKASHA, OKLAHOMA



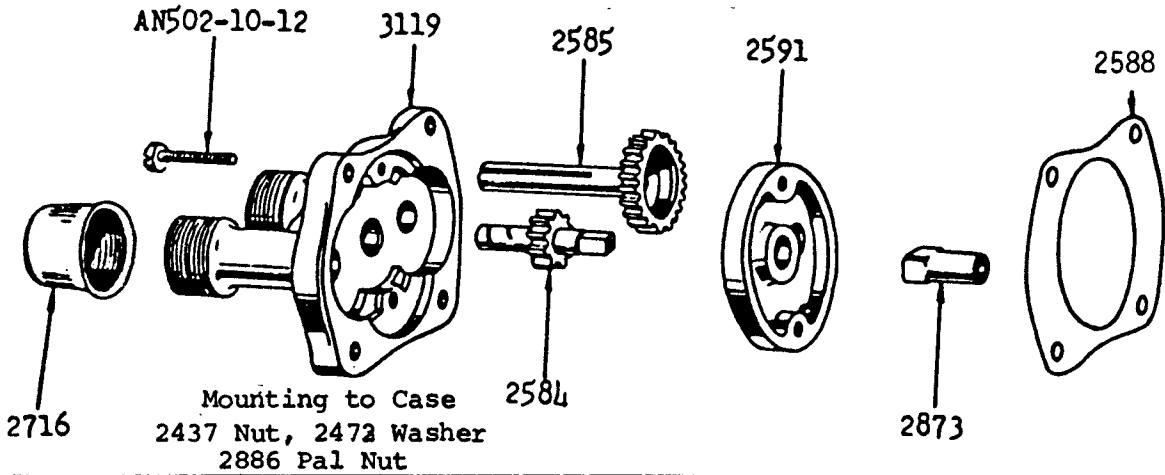
A20292-A Assembly, complete with tappet, guide, pin, roller and circlip

Crankcase Assembly

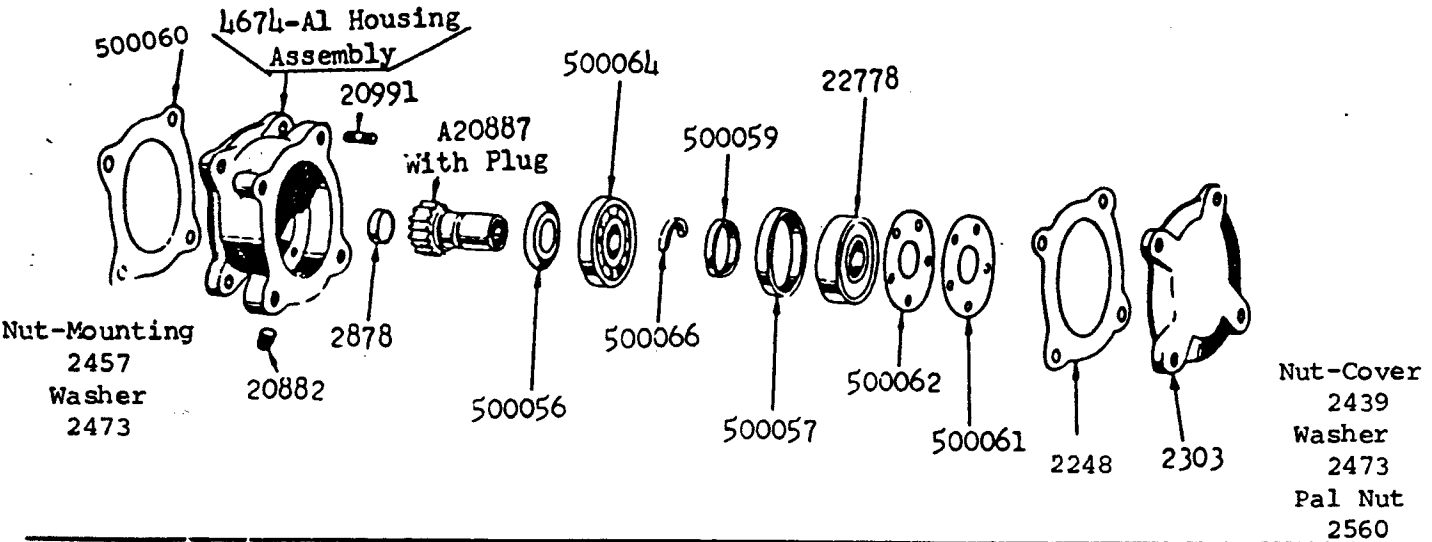




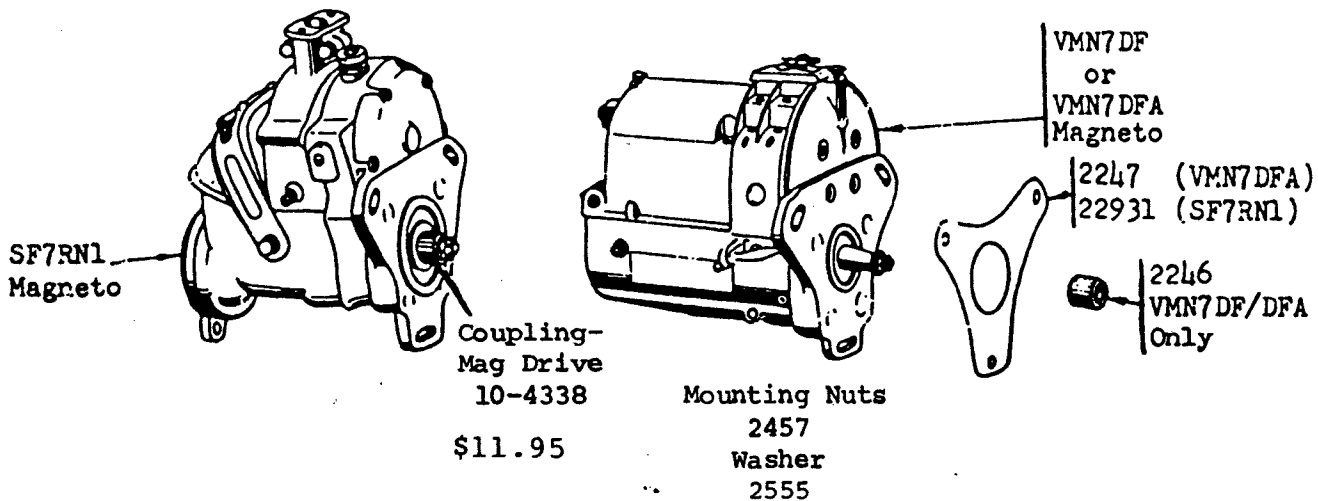
A3119 Tachometer Drive Assembly



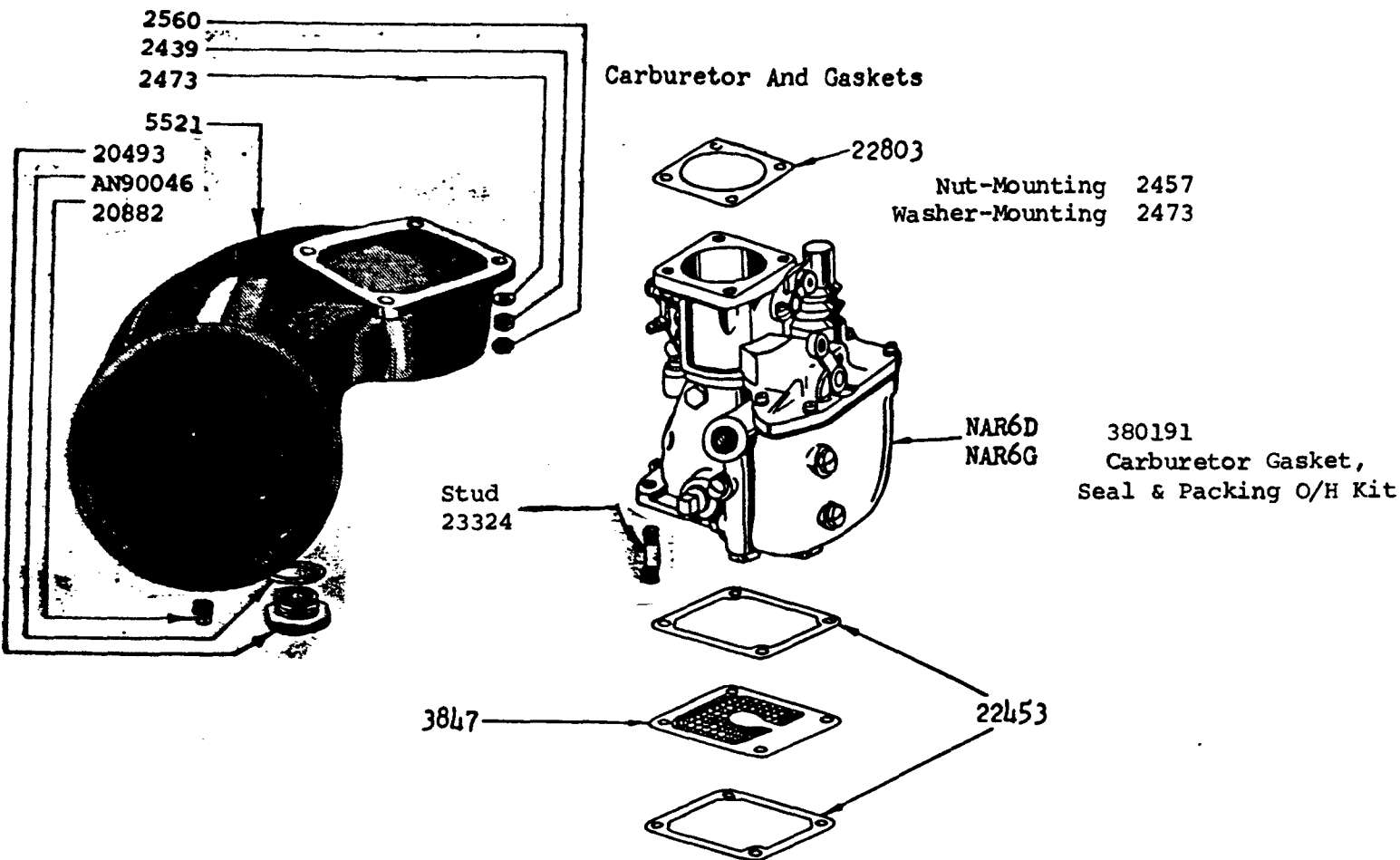
A3926 Generator Speed Step-Up Drive Assembly



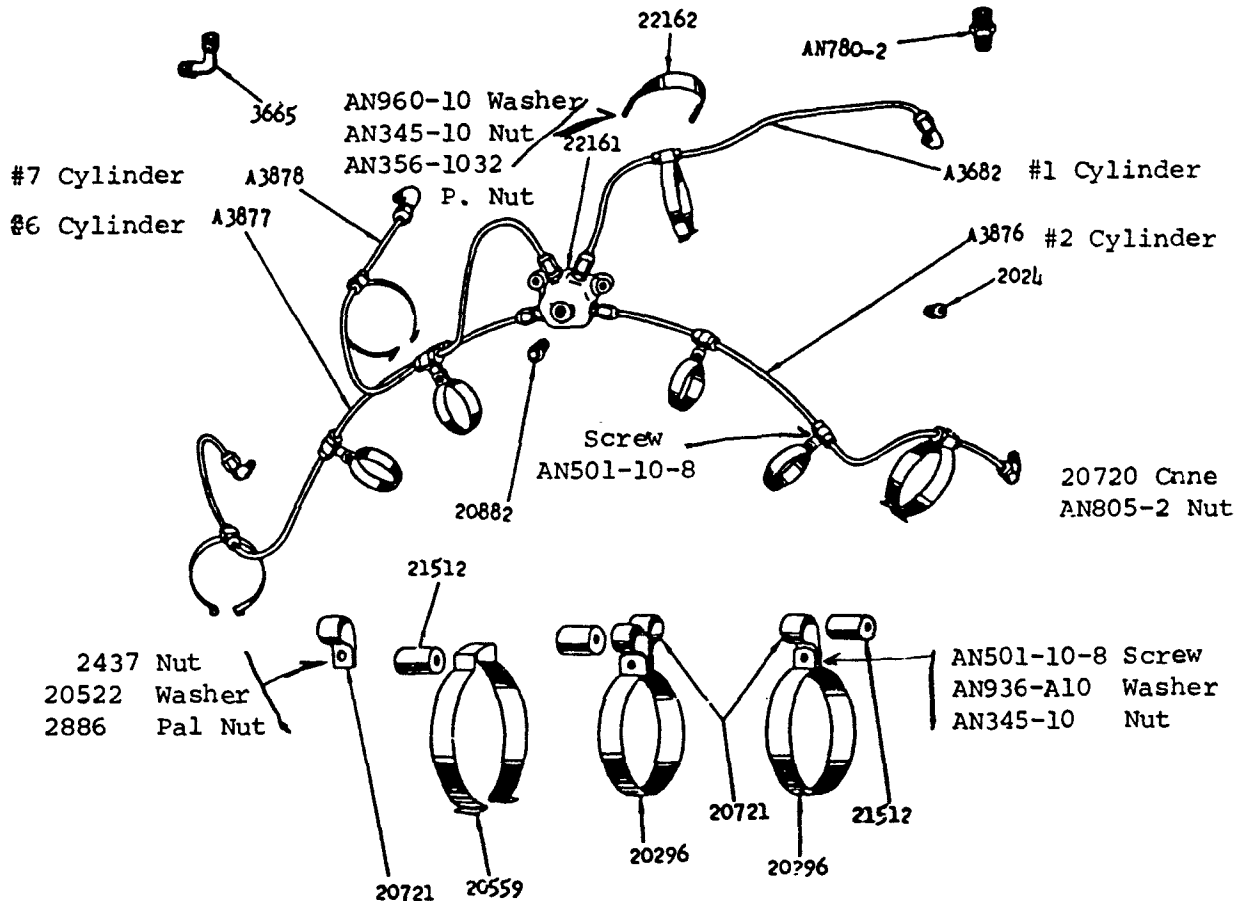
A4029 Rod Assy Magneto Control for VMN7DF

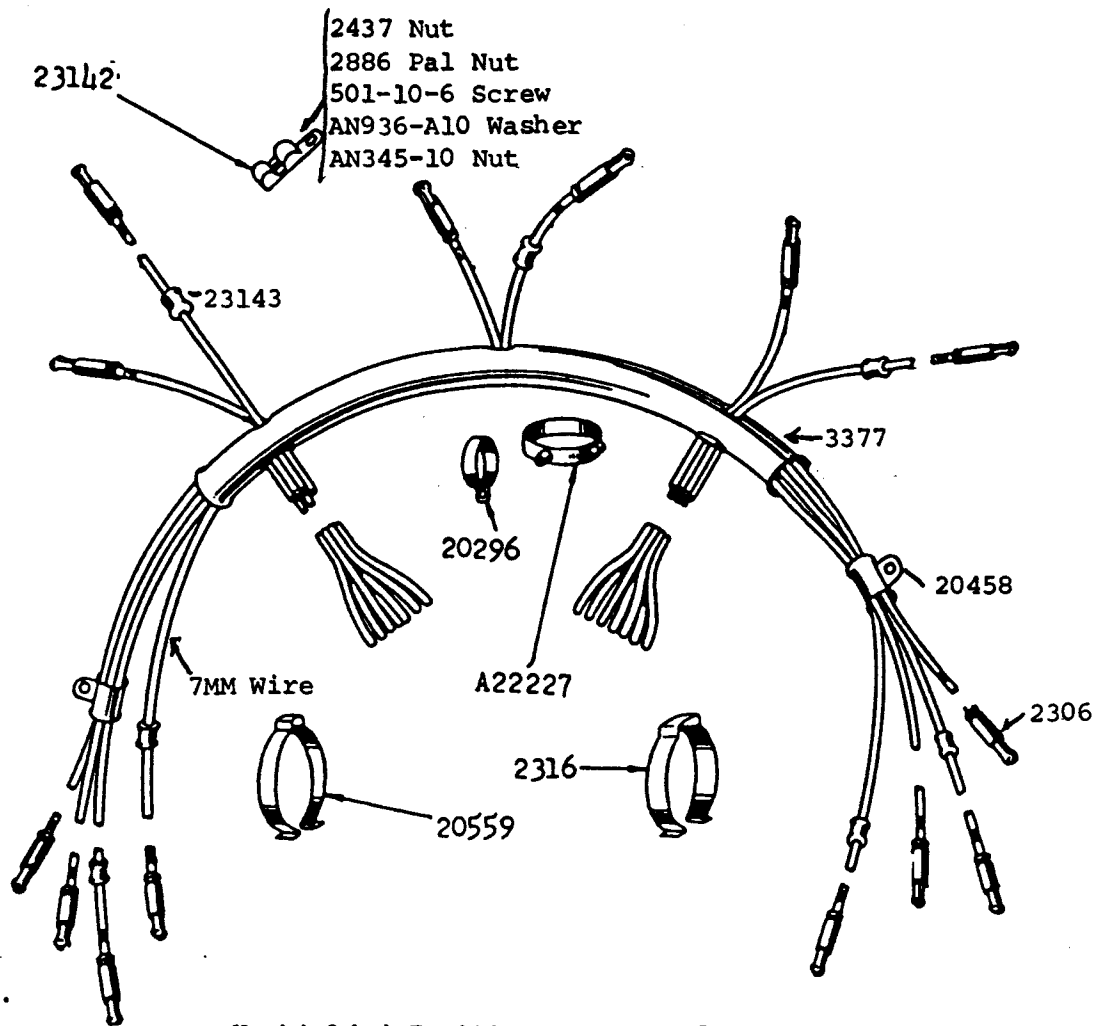


Carburetor And Gaskets



Primer Assembly, And Clamps for R-670-4,-5,-6 & -11 Engines





Unshielded Ignition Harness Clamps

A5543-A1 for R-670-4 & -11 Harness Assy (shown above R-670-4,-11N-S \$79.
 A5542-A1 for R-670-5 Harness Assy for R-670-5 _____N-S \$79.
 A6517 Rear Mounted Shielded Ignition Harness -9A 9/16-27 Elbows

TERMS AND CONDITIONS

F.O.B. Chickasha, Oklahoma

Subject to prior sale

Prices subject to change without notice

We prefer payment with order. We will ship UPS, C.O.D., but ask that motor freight shipments be paid in advance. On UPS, prepaid shipments, estimate the shipping and we will refund any overage.

DEFINITIONS

New : New Surplus

RNE Removed from New Engine. Parts are cleaned and visually inspected, and offer the same service as "new" parts.

OHC Overhaul Certified, tagged

OH Overhauled

U.S. Used Servicable

REFUNDS - Any unsatisfactory part may be returned within 30-days for full refund. Please contact us before returning parts after 30-days.

CONTINENTAL W-670 NUMERICAL PRICE LIST

Code: N-S - New Surplus, F/N - New Manufacture, RNE - New Removed from New Engines
 O/H - Overhauled, O/H/C - Overhauled & Certified

PART NUMBER	NOMENCLATURE	COND	UNIT PRICE
2002	Bushing-spark plug (oversize +3 available)	N-S	4.65
2024	Plug, 1/8" pipe-main case	N-S	.95
2025	Plug, 3/8" pipe-accessory case	N-S	.95
2026	Plug, 1/4" pipe-oil sump	N-S	.95
2027	Lifting eye	RNE	1.90
2045	Thrower-crankshaft oil	N-S	16.75
2048	Plug-crankshaft, -23	N-S	7.40
2050	Bolt-crankshaft clamp	N-S	12.70
2052	Washer-crankshaft clamp bolt	RNE	3.65
2053	Washer-front main bearing	N-S	7.40
2057	Nut-crankshaft thrust (U/S \$13.50)	N-S	22.75
2079	Circlip-rear crankshaft nut	N-S	1.45
2096	Packing-intake pipe, lower end	N-S	1.27
2110	Bushing-piston pin	N-S	4.75
2129	Roller-tappet	N-S	9.90
		RNE	7.00
2152	Nut-rocker arm shaft & intermediate cam drive gear	N-S	1.75
2157	Washer-rocker arm shaft, outer	N-S	.98
2219	Key, woodruff-knuckle pin	N-S	.55
2223	Screw, drive-engine data plate	N-S	.50
2246	Coupling-magneto drive (VMN7DFA)	N-S	18.90
2247	Gasket-magneto mounting (VMN7DFA)	F/N	1.60
2249	Gasket-starter	N-S	.75
2254	Roller-rocker arm	N-S	7.90
2255	Bushing-rocker arm roller	N-S	2.40
2256	Pin-rocker arm roller	N-S	2.10
2265	Plug, 5/8"-manifold thermometer hole	RNE	1.75
2303	Cover-generator drive (U/S \$6.25)	N-S	8.90
2304	Cover-starter drive (U/S \$8.90)	N-S	13.50
2306	Terminal-spark plug (unshielded plugs)	N-S	4.90
2316	Clip-ignition cable (to intake pipe)	N-S	3.45
2437	Nut, 1/4-28 plain (2437 elastic stop - 20¢)	N-S	.55
2439	Nut, 5/16-24 plain	N-S	.65
2441	Nut, 3/8-24 plain	N-S	.85
2457	Nut, 5/16-24 castle	N-S	.95
2459	Nut, 7/16-20 castle	N-S	1.50
2463	Nut, 5/16-24 brass, castle (exhaust)no longer available,substitute	New	.60
2472	Washer, 1/4", \$2.90/c	N-S	.04
2473	Washer, 5/16", \$3.30/c	N-S	.05
2474	Washer, 3/8", \$4.30/c	N-S	.06
2475	Washer, 7/16", \$5.80/c	N-S	.07
2480	Washer-generator drive pinion	N-S	4.90
2502	Cotter pin, \$1.45/c	F/N	.02
2505	Cotter pin, \$1.85/c	F/N	.03
2506	Cotter pin, \$1.95/c	F/N	.03
2508	Cotter pin, \$2.35/c	N-S	.04
2520	Pin-main bearing liner	N-S	.70
2526	Plug, 5/8" expansion-center section starter gear	N-S	1.25
2542	Bearing-crankshaft thrust	N-S	79.90
2555	Washer, 5/16" special-starter gear retainer bar	N-S	.75
2557	Nut, 3/8-24 special-cylinder base	New	.45

CONTINENTAL W-670 Numerical Price List continued

PART NUMBER	NOMENCLATURE	COND.	UNIT PRICE
2560	Palnut, 5/16-24, \$20.00/c	F/N	.25
2561	Palnut, 3/8 -24, \$14.00/c	F/N	.20
2574	Bushing-crankshaft oil feed	N-S	8.50
2574+8	Bushing-crankshaft oil feed	N-S	POR
2574+40	Bushing-crankshaft oil feed	N-S	10.75
2576	Lock washer-crankshaft rear nut	N-S	11.60
2578	Circlip-magneto drive gear	N-S	1.25
2580	Bushing-accessory drive	N-S	4.90
2581	Bushing-oil pump drive	N-S	3.80
2582	Bushing-intermediate cam drive gear	N-S	3.85
2583	Washer-thrust (intermediate cam drive gear)	N-S	3.50
2584	Gear-tachometer drive (smaller one)	N-S	9.25
2585	Gear-tachometer drive (larger one)	N-S	9.95
2588	Gasket-tachometer to case	F/N	.91
2589	Gasket-hi pressure oil screen assy to case	F/N	.95
2590	Circlip-oil pump drive gear	New	.99
2591	Pilot-tachometer drive housing	N-S	8.95
2593	Gear-duplex pump, driven (keyed)	N-S	40.95
2594	Gear-duplex pump, driven	N-S	40.95
2667	Spacer-starter gasket	N-S	3.80
2716	Nut-tachometer drive cover	N-S	2.65
2781	Plug-crank pin oil	N-S	4.90
2807	Rivet-generator drive gear	N-S	.25
2827	Gasket-intake flange (cylinder end)	N-S	1.20
2831	Seat-intake valve	N-S	22.50
2833	Nut-intake packing gland	N-S	.98
2834	Flange-intake pipe	RNE	4.55
2834	Flange-intake pipe	N-S	6.05
2835	Bolt-crankcase, short	RNE	13.90
2845	Packing-cylinder base	F/N	.95
2848	Spring-by pass valve (in A500014 assembly)	N-S	1.25
2849	Ball-by pass valve (for above)	N-S	.85
2859	Bushing-knuckle pin (in connector rod)	N-S	5.85
2860	Circlip-knuckle pin	N-S	.75
2868	Dowel-crankcase scavenger gasket	N-S	.80
2872-A1	Nut assy-rear crankshaft (u/serv - \$6.90)	N-S	10.75
2873	Coupling-tachometer drive	N-S	9.50
2878	Plug, oil-magneto drive gear	N-S	.85
2923	Nut-3/4-16, generator drive pinion	F/N	5.95
3005	Liner-front main bearing (o.s. +10 & +40)	N-S	60.45
3006	Liner-rear main bearing (o.s. +10 & +40)	N-S	60.45
A3062	Gear assy-intermediate cam drive	N-S	51.85
		RNE	42.35
3064	Gear-oil pump drive	N-S	42.15
		RNE	36.95
3067-A1	Gear assy-crankshaft starter	N-S	99.90
	#4378-A1, 4 hole, from -9A	RNE	83.50
3068	Gear-cam drive	RNE	74.75
3068	Gear-cam drive	N-S	99.95
3112	Gasket-accessory case	F/N	7.40
3113	Pin-cam drive	N-S	9.75
3119	Housing-tachometer drive	N-S	16.10
A3119	Drive assy-tachometer	N-S	42.65
A3192	Rod-connecting (with bushings)	N-S	16.45

CONTINENTAL W-670 NUMERICAL PRICE LIST continued

PART NUMBER	NOMENCLATURE	COND.	UNIT PRICE
3248	Cover-scavenger pump (goes against c/c)	N-S	9.95
3249	Tee-rocker scavenger	F/N	16.85
3250	Liner-front main bearing (narrow)	N-S	33.95
3252	Liner-thrust bearing (narrow)	U/S	26.50
3253	Cover-thrust bearing (superseded by 35106)		
3271	Seat-intake valve spring (upper)	N-S	3.70
		RNE	3.15
3292	Seat-exhaust valve spring (upper)	RNE	3.15
		N-S	3.70
3299	Valve-exhaust	N-S	16.25
3360	Guide-tappet	N-S	6.45
		RNE	5.55
3665	Jet-primer	N-S	5.50
A3682	Primer line-cylinder #1	N-S	8.45
3710	Gasket-duplex pump mounting	F/N	1.75
3840	Spring-valve outer	N-S	5.85
A3841	Gear-magneto drive (VMN7DFA)	U/S	115.00
		N-S	149.90
3847	Grid-carburetor air intake	U/S	33.50
A3876	Primer line-cylinder #2	N-S	8.45
A3877	Primer line-cylinder #6	F/N	10.25
A3878	Primer line-cylinder #7	N-S	8.45
A3886	Scavenger pump (splined fuel pump drive)	N-S	96.50
3888	Gear-scavenger pump drive (for above)	N-S	23.95
A3891	Gear-magneto drive (SF7RN1)	U/S	115.00
		N-S	149.90
3915	Gear-starter	N-S	49.25
		RNE	27.95
A3916	Gear assy-duplex oil pump drive	N-S	98.95
A3926	Drive assy-generator step-up	O/H/C	398.90
A3930	Exhaust elbow, 90°, O/H \$27.90	N-S	35.80
A3931	Exhaust elbow, 65°, O/H \$27.90	N-S	35.80
A3935	Plate-duplex oil pump, upper	N-S	127.50
3936	Gear-duplex oil pump, driven	N-S	37.00
3939	Gasket-duplex oil pump (between plates)	F/N	1.25
A3948	Body assy-oil scavenger pump (duplex)	N-S	175.50
A3949	Plate-duplex oil pump, lower	N-S	127.50
A3992-A1	Rocker arm-intake (includes bearing/roller)	N-S	22.20
A3993-A1	Rocker arm-exhaust (includes bearing/roller)	N-S	22.20
A4170	Body-rocker scavenger oil pump, R-670-5	N-S	56.75
A4170A	Scavenger pump (square fuel pump drive) R-670-5	N-S	120.55
		RNE	97.00
4173	Pipe-intake	RNE	11.65
		New	15.95
4177	Piston		Inquire
4180	Piston		Inquire
4674-A1	Housing assy-generator drive	N-S	194.40
4720	Cover-rocker box (includes #20273 nipple)	RNE	12.55
		New	19.55
4721	Cover-rocker box	Recond.	10.50
		N-S	13.95
4723	Cover-rocker box (includes #20273 nipple)	RNE	14.70
		N-S	19.95

CONTINENTAL W-670 NUMERICAL PRICE LIST continued

PART NUMBER	NOMENCLATURE	COND.	UNIT PRICE
A4748	Pump assy-duplex oil, outright exchange	O/H/C O/H/C	737.75 542.00
C-5071	Master rod assy	RNE	246.35
C-5071-C	Master rod & link rod assy	RNE	474.50
A5160	Cam assy	N-S	162.50
A5180	Crankshaft assy (for R-670-4,-5,-11)	O/H/C	1813.00
A5180-AA	Crankshaft assy with set of main bearings (bearings N-S)	O/H/C	2034.00
5194	Oil sump, 1-18 plug (use A5522)		
5195	Oil sump, 1-20 plug (use A5522)		
A5198+10	Cylinder with guides & seats	aircraft Navy O/H	270.00
A5239	Cylinder with guides & seats (-9A) w/overheads, \$289.50 ea.	N-S	POR
5521	Horn-carburetor air	F/N	219.50
A5522	Oil sump assy (R-670-4,-5,-11)	N-S	51.70
A5891	Crankshaft assy-floating c/w R-670-11A	O/H/C	2030.00
A6420	Case-rear (R-670-5)	O/H/C N-S	308.75 431.35
A6421	Case-rear (R-670-4,-11)	O/H/C N-S	308.75 431.35
A6447	Case-main power	O/H/C	898.70
20100	Stud, 3/8-16 x 3/8-24 x 1-5/8" (o.s. +4, +8, +12)	N-S	2.70
20240	Valve-intake	N-S	23.65
20241	Guide-intake valve (o.s. +3, +6)	N-S	10.35
20242	Circlip-intake valve	N-S	.65
20245	Spacer-thrust bearing cover	N-S	.60
20246	Housing-low pressure relief valve	N-S	8.45
20247	Valve-low pressure oil relief	N-S	8.45
20248	Spring-low pressure oil relief valve	N-S	1.90
20249	Shaft-rocker arm	N-S	16.45
20250	Bearing-rocker arm (set of 14 \$99.90)	N-S	7.60
20251	Washer-rocker arm shaft, inner	N-S	.90
20252	Screw-valve adjusting	N-S	3.30
20253	Nut-valve adjusting screw	N-S	1.75
20254	Gasket-rocker box cover	F/N	1.35
20255	Pin-tappet roller	N-S	4.05
20256	Dowel-rocker scavenger gasket	N-S	1.40
20259	Spacer-rear crankshaft bearing (against cam)	N-S	10.95
20260	Pin-piston (no plugs)	N-S	16.75
20260+5	Pin-piston (no plugs) +5 o.s.	N-S	18.55
A20260	Pin-piston (with plugs)	N-S	19.30
20261	Plug-piston pin	N-S	2.10
20262	Gasket-push rod housing	F/N	.80
A20263	Housing-intake push rod	New	6.40
B20263	Housing-exhaust push rod	N-S	6.40
20266	Packing, gland-push rod housing	F/N	1.25
A20267	Push rod assy	N-S	10.75
20268	Gasket-tappet guide	F/N	.80
20269	Tube-inter rocker box	N-S	4.40
20270	Plug-rocker box	N-S	.65
20271	Packing-rocker box tube or plug	N-S	.90
20272	Nut-rocker box tube gland	N-S	3.95
20273	Nipple, 5/8" hose-rocker box cover	N-S	7.15
20275	Hose, 5/8"-rocker drain	F/N	2.15
20276	Tube-inter cylinder (between cylinders)	N-S	3.55
20277	Liner-exhaust elbow	N-S	8.95

CONTINENTAL W-670 NUMERICAL PRICE LIST continued

PART NUMBER	NOMENCLATURE	COND.	UNIT PRICE
20278	Plug-crankshaft (threads into front)	N-S	8.50
20288	Plug, 1/4"-intake manifold	N-S	.75
A20292	Valve tappet-cam follower	N-S	10.35
		RNE	8.45
A20292-A	Valve tappet assy (includes tappet, guide, roller, pin & circlip)	N-S	24.40
20294	Circlip-tappet	N-S	.90
20296	Clip-primer tube	N-S	4.40
20366	Lock-intake valve spring seat, pair	N-S	2.45
20384	Spring-valve intermediate	N-S	3.55
20385	Spring-valve inner	N-S	3.50
20399	Lock-exhaust valve spring seat, pair	N-S	2.45
20400+10	Guide-exhaust valve (standard \$17.90)	N-S	14.95
20401	Circlip-exhaust valve	N-S	.75
20418	Gear-scavenger pump driven (square fuel pump drive)	N-S	27.95
20419	Gear-scavenger pump driven	N-S	25.85
20420	Coupling-fuel pump drive	N-S	10.80
20421	Gasket-scavenger oil line	F/N	.60
20422	Dowel-scavenger pump body to cover	N-S	2.95
20423	Gasket-fuel pump or cover (A4170A pump)	N-S	.90
20425	Gasket-rocker scavenger pump to case (replaces 22446)	F/N	.90
20426	Cover-fuel pump drive (A4170A scavenger pump) use 22554		
20428	Bearing-rear main	N-S	49.35
20429	Bearing-thrust (narrow)	N-S	49.35
20458	Grommet-ignition harness	N-S	6.50
20466	Elbow-rocker scavenger	RNE	7.85
20467	Gasket-rocker scavenger elbow or cover	F/N	.60
20493	Plug, 1"-carburetor air horn	N-S	6.35
20515	Retainer-push rod housing	N-S	3.60
20516	Nut-push rod housing gland	N-S	3.45
20532	Gasket-scavenger pump body	F/N	1.50
20559	Clip-primer line to intake pipe	N-S	5.05
20567	Cover-rocker scavenger elbow pad	U/S	5.85
20721	Clip-primer line, small	N-S	2.45
20747	Connection-duplex oil pump, brass	N-S	17.85
20748	Gasket-duplex oil pump connection	F/N	.85
20877	Plug-oil sump, 1-18, magnetic	N-S	8.60
A20878	Screen assy-scavenger oil	N-S	13.65
20880	Valve	N-S	34.75
20881	Seat-check valve oil return, duplex pump	N-S	9.95
20882	Plug-1/8" pipe	N-S	.75
20884	Seat-exhaust valve	N-S	Inquire
20886	Flange-exhaust pipe	N-S	8.70
A20887	Pinion assy-generator step-up	N-S	127.50
20889	Seal, oil-magneto drive	N-S	6.20
20951	Gasket-oil sump, front	F/N	1.45
20952	Gasket-oil sump, rear	F/N	1.50
20966	Seat	N-S	15.95
20971	Valve	N-S	34.75
20973	Stud, 5/16-18 x 5/16-24 x 2-3/8" (o.s. +3 & +6)	N-S	2.90
20974	Stud, 5/16-18 x 5/16-24 x 3-1/8" (o.s. +6)	N-S	3.45
20977	Oil seal-duplex oil pump	N-S	5.80
20988	Stud, 1/4-20 x 1/4-28 x 1-3/16" (o.s. +4, +8 & +12)	N-S	1.45
20990	Stud, 5/16-18 x 5/16-24 x 1-1/4" (o.s. +3 & +9)	N-S	2.25
20991	Stud, 5/16-18 x 5/16-24 x 1-1/4" (o.s. +4, +8 & +12)	N-S	2.25
20992	Stud, 5/16-18 x 5/16-24 x 1-3/8" (o.s. +4, +8 & +12)	N-S	2.35

CONTINENTAL W-670 NUMERICAL PRICE LIST continued

PART NUMBER	NOMENCLATURE	COND.	UNIT PRICE
20993	Stud, 5/16-18 x 5/16-24 x 1-1/2" (o.s. +4, +8, +12	N-S	2.35
20994	Stud, 3/8-16 x 3/8-24 x 2-3/8" (o.s. +3)	N-S	3.60
20997	Bolt-crankcase, long	N-S	4.55
21512	Protector-primer line (through clamps)	N-S	.65
22001	Stud, 1/4-20 x 1/4-28 x 3/4" (o.s. +3 & +9)	N-S	2.25
22003	Stud, 5/16-18 x 5/16-24 x 1-1/8"(o.s. +3 & +9)	N-S	2.40
22004	Stud, 1/4-20 x 1/4-28 x 1-3/8"(o.s. +3)	N-S	2.40
22006	Stud, 3/8-16 x 3/8-24 x 1-3/8"(o.s. +3)	N-S	3.35
22094	Ring-extractor, rear case	N-S	4.95
22097	Bushing-generator drive, rear	N-S	8.90
22141	Stud-rocker scavenger pump cover	N-S	2.95
22142	Seal, oil-scavenger pump shaft (A3886 pump)	N-S	6.25
22143	Gasket-fuel pump or cover (A3886 pump) (22932)	N-S	.65
22144	Cover-fuel pump drive (A3886 pump (use 22559)	N-S	7.95
22145	Stud, 5/16-18 x 5/16-24 x 1-3/8" (o.s. +3 & +6)	N-S	2.35
22161	Distributor-primer	N-S	8.75
22162	U bolt-primer distributor	N-S	4.70
22196	Spring-oil return check valve, duplex pump	N-S	1.60
A22197	Retainer assy-starter gear	N-S	10.95
22202	Ball-air relief check, duplex pump	N-S	.75
22203	Spring-oil pump air relief	N-S	1.10
A22208	Ring set-standard	N-S	99.85
A22208+10	Ring set-+10 o.s.	N-S	99.85
A22208+20	Ring set-+20 o.s.	N-S	99.85
22208	Ring-compression (35294)	N-S	4.90
22208+20+8W	Ring-compression (+8 width) (35294)	N-S	6.45
22208+10	Ring-compression (+10 o.d.) (35294)	N-S	4.90
22208+20	Ring-compression (+20 o.d.) (35294)	N-S	4.90
22209	Ring-oil (35596)	N-S	5.10
22209+10	Ring-oil, 10 o.d. (35596)	N-S	5.10
22209+20	Ring-oil, +20 o.d. (35596)	N-S	5.10
22210	Ring-scraper (35594)	N-S	5.10
22210+10	Ring-scraper, +10 o.d. (35594)	N-S	5.10
22216	Spring-hi pressure relief valve	N-S	4.75
22217	Plunger-hi pressure relief valve	N-S	22.50
A22227	Support assy-ignition cable conduit	N-S	7.65
22239	Plug-oil pump air relief	N-S	.90
22366	Screw-crankshaft spline stop	N-S	2.95
22442	Gasket-generator or cover (use 2248)	N-S	.85
22443	Gasket-tachometer drive mounting (use 2588)	F/N	.91
22444	Gasket-generator step-up drive to case (thin) (use 500060)	F/N	.98
22446	Gasket-scavenger pump mounting (use 20425)	F/N	.90
22453	Gasket-air horn to carburetor	F/N	1.75
22539	Stud, 1/4-20 x 1/4-28 x 1-9/16" (o.s. +3 & +6)	N-S	2.35
22554	Cover-fuel pump drive, R-670-5 (A4170A)	N-S	7.95
22559	Cover-fuel pump drive, R-670-4 & -11 (A3886)	N-S	7.95
22657	Data plate blank, R-670-4, -5, -6 & -11	F/N	8.45
22676	Pin-spark plug insert	N-S	.80
22778	Bearing-generator step-up drive, rear	N-S	29.30
22803	Gasket-carburetor to case	F/N	1.25
22826	Plug-oil sump, 1-20	U/S	8.95
22826	Plug-oil sump, 1-20	N-S	14.95
22931	Gasket-magneto mounting. SF7RM1	F/N	1.65
22932	Gasket-fuel pump cover (22559)	N-S	.60

CONTINENTAL W-670 NUMERICAL PRICE LIST continued

<u>PART NUMBER</u>	<u>NOMENCLATURE</u>	<u>COND.</u>	<u>UNIT PRICE</u>
22986	Spacer-crankshaft, front main bearing	N-S	42.25
23142	Clip-ignition wire and primer line to cylinder	N-S	8.95
A23152	Knuckle pin assy (also +.005 \$20.75 & +.001 \$21.65)	N-S	17.50
23168	Spring-low pressure oil relief	N-S	1.75
23324	Stud-carburetor air horn to carburetor (o.s. +4 & +8)	N-S	2.25
23524	Bearing-master rod for C-5071 master rod assy	N-S	97.50
24196	Washer, special-starter gear	N-S	.95
24335	Gasket-push rod housing to crankcase (use 20262)	F/N	.80
24752	Spacer-crankpin, behind master rod (A5891 crankshaft)	N-S	POR
24753	Bearing-master rod (o.s. also)	N-S	use 23524
A35008	Body assy-duplex pressure oil pump	N-S	185.50
35106	Cover-thrust bearing (2542)	N-S	89.90
35204	Cage-thrust bearing (2542)	N-S	119.50
35461	Crankshaft thrust nut, flanged type	New	55.80
A40083	Master rod assy, R-670-11A	N-S	POR
500014	Housing-oil screen	New	11.60
A500014	Screen & housing assy-high pressure oil	New	27.85
500015	Screen assy-high pressure oil	N-S	17.50
500049	Washer-valve spring	N-S	2.25
500051-A	Gear assy-generator drive	N-S	181.75
500053	Pinion-generator drive	N-S	93.10
500055	Pinion-generator step-up (see A20887)		
500056	Thrower-oil		Write
500057	Spacer-bearing	N-S	8.50
500059	Retainer-bearing lock	N-S	10.35
500060	Gasket-to case-gen step-up drive	F/N	.98
500061	Retainer-bearing	N-S	17.50
500062	Gasket-generator step-up bearing retainer	F/N	1.25
500064	Bearing-generator step-up pinion, front	N-S	25.90
500066	Lock-bearing		Write
530309	Gasket-copper asbestos, exhaust elbow	New	3.40
745-2A	Clamp-hose	RNE	1.25
AN780-2	Nipple, 1/8"-primer distributor	N-S	2.15
AN900-10	Gasket	F/N	.45
AN900-12	Gasket	F/N	.55
AN900-14	Gasket	F/N	.60
AN900-16	Gasket	F/N	.50
AN900-24	Gasket	F/N	.85

Shielded ignition harness assy, SF7RN-1 or VMN7DF-----895.00

Top overhaul gasket set (95% F/N gaskets & seals----- 99.95

Major overhaul gasket set (95% F/N gaskets & seals-----196.80

A22208 Std. ring set----- 99.85

A22208+10 ring set----- 99.85

A22208+20 ring set----- 99.85

R-670 Series Overhaul & Illustrated Parts Manual----- 39.50

CONTINENTAL W-670 NUMERICAL PRICE LIST continued

MAGNETOS & PARTS

SF7RN-1	R-670-4 & -11, o/h/c, exchange \$299.50, outright	402.00
VMN7DF	R-670-5 o/h/c, exchange 299.50, outright	402.00
VMN7DFA	R-670-5 o/h/c, exchange 299.50, outright	402.00
VMN7DFA	R-670-5 N-S tested, outright	POR
10-5442V	Contact assy-SF7RN-1, new surplus	98.95
10-7461-1	Condenser- SF7RN-1, new surplus	39.90
10-13625Z	Coil- SF7RN-1, new surplus	42.50
10-14576	Distributor finger, SF7RN-1, new surplus	33.70
10-14121	Cam breaker, SF7RN-1, new surplus	26.90
1-13901Y	Block-distributor, SF7RN-1, (reconditioned \$90.00), new surplus	139.75
10-604Z	Bearing-SF7RN-1, new surplus	12.50
10-1471	Bearing-SF7RN-1, new surplus	18.70
10-4308	Bearing-SF7RN-1, new surplus	15.85
10-25453	Breaker assy-VMN7DF & DFA, new surplus	58.00
10-28908	Screw-contact point (short) VMN7DF & DFA, new surplus	26.90
10-28909	Screw-contact point (long) VMN7DF & DFA, new surplus	26.90
10-20223	Cam-breaker, VMN7DF & DFA, new surplus	31.50
10-14856Y	Coil & condenser-VMN7DF & DFA, new surplus	98.50
10-14857	Coil-VMN7DF & DFA, new surplus	79.50
10-13373Y	Condenser-VMN7DF & DFA, new surplus	33.50
10-13400	Cylinder-distributor, VMN7DF & DFA, new surplus	147.50
10-5510Z	Block-distributor, rh, VMN7DF & DFA, new surplus	65.00
10-5511Z	Block-distributor, lh, VMN7DF & DFA, new surplus	65.00
2-462	Bearing-VMN7DF & DFA, new surplus	16.35
2-463	Bearing-VMN7DF & DFA, new surplus	14.50

NOTE: COMPLETE LIST OF MAGNETO PARTS IS IN OUR ENGINE ACCESSORY PRICE LIST

MANUALS-MAGNETOS

SF7RN-1	O/H Instruction	10 pages	- \$5.95	VMN7DF	Illustrated Parts	5 pages	- \$3.65
SF7RN-1	Illustrated Parts	8 pages	- 5.95	VMN7DF	O/H Instruction	9 pages	- 5.95
VMN7DF	O/H Instruction	10 pages	- 5.95	VMN7DFA	Illustrated Parts	4 pages	- 3.65

ALL O/H/C ACCESSORIES ARE FAA REPAIR STATION CERTIFIED

CARBURETORS & PARTS, R-670-4, -5 & -11

NAR6D	R-670-4 & -5	O/H/C, exchange \$349.00, outright	474.00
NAR6G	R-670-6 & -11	O/H/C, exchange 349.00, outright	474.00
NAR6	R-670-4, -5 & -11	O/H/C, exchange 349.00, outright	474.00
NAR6B	R-670-9A, no mixture, 240 HP, new surplus		100.00
380191	Carburetor gasket, packing & seal o/h kit, NAR6D & 6G, new surplus		19.70
P-17525	Throttle shaft, new surplus		36.95
390090	Bushing-throttle shaft, std., new surplus		5.90
390091	Bushing-throttle shaft, 1st o.s., new surplus		6.90
390092	Bushing-throttle shaft, 2nd o.s., new surplus		8.90
P-19692	Needle & seat assy-float, new surplus		43.90
P-13677	Seat-float, new surplus		18.50
P-18053	Needle-float, new surplus		27.45
P-13734	Spring-mixture control needle, new surplus		2.95
P-13755	Needle-mixture control, new surplus		17.90
P-13907	Spring-mixture control shaft, new surplus		1.50
P-13936	Piston-accelerator pump, new surplus		6.90
P-13938	Needle-mixture, new surplus		17.90
P-13938-18	Seat-mixture control needle, new surplus		17.95

CONTINENTAL W-670 NUMERICAL PARTS LIST continued

Carburetors & parts, R-670-4, -5 & -11 continued

P-13942	Gasket-main body to throttle body, new surplus	2.65
P-13960-2-50	Valve-accelerator pump, new surplus	18.70
P-13962	Arm-economizer, new surplus	9.95
P-14022	Lever-accelerator pump, new surplus	12.50
P-15623	Stem-mixture control needle, new surplus	10.95
P-16299	Stem & fork assy-accelerator pump, new surplus	23.90
P-16514-5/16	Main discharge nozzle (NAR-6D), new surplus	18.95
P-18056	Float assy-needle & seat (NAR-6B) 240 H.P., new surplus	22.50
P-20346	Stop assy-throttle, new surplus	14.50
P-21806-5/16	Main discharge nozzle (NAR-6G), new surplus	16.20
P-61363	Spring-throttle shaft, new surplus	6.90
174-S-22	Gasket-main strainer, new surplus	.55
383350	Boot, leather dust-accelerator pump, new surplus	6.85
383352	Clip-accelerator pump boot, 7 required, new surplus	.95
383565	Float assy-needle & seat (NAR-6G), new surplus	42.50
390006	Lever-throttle, new surplus	18.50
390015	Idle discharge jet-A51, B53, F55, new surplus	29.90
390017	Valve-inverted flight check, new surplus	13.75
390031	Strainer & bushing-fuel, new surplus	49.95
390033	Strainer & valve assy-inverted flight, new surplus	49.50
390060	Packing-venturi, new surplus	1.35
390078	Data plate blank, new surplus	3.50
390188-40	Jet-main metering (NAR-6D), new surplus	9.90
390188-41	Jet-main metering (NAR-6G), new surplus	9.90
390188-56	Jet-economizer metering (NAR-6D), new surplus	9.90
390188-60	Jet-economizer metering (NAR-6G), new surplus	9.95
390259	Venturi-1 15/16", new surplus	36.40
390260	Float-needle & seat (NAR-6D), new surplus	42.50
390269	Lever & stop assy-throttle, new surplus	12.75
NAR-66	Carburetor Overhaul Manual	5.95

**PLEASE NOTE: THIS IS ONLY A PARTIAL LISTING OF CARBURETOR PARTS.
FOR COMPLETE LIST, USE OUR ENGINE ACCESSORY PRICE LIST.**

STARTERS, R-670-4, -5, -6 & -11

397-13	E80 12 volt, direct drive, o/h/c	990.00
E-160	12 volt, direct drive, o/h/c, exchange \$600.00, outright	850.00
444-3F	12 volt, electric inertia, o/h/c, exchange \$450.00, outright	650.00
B-11	Hand inertia, o/h/c	499.50

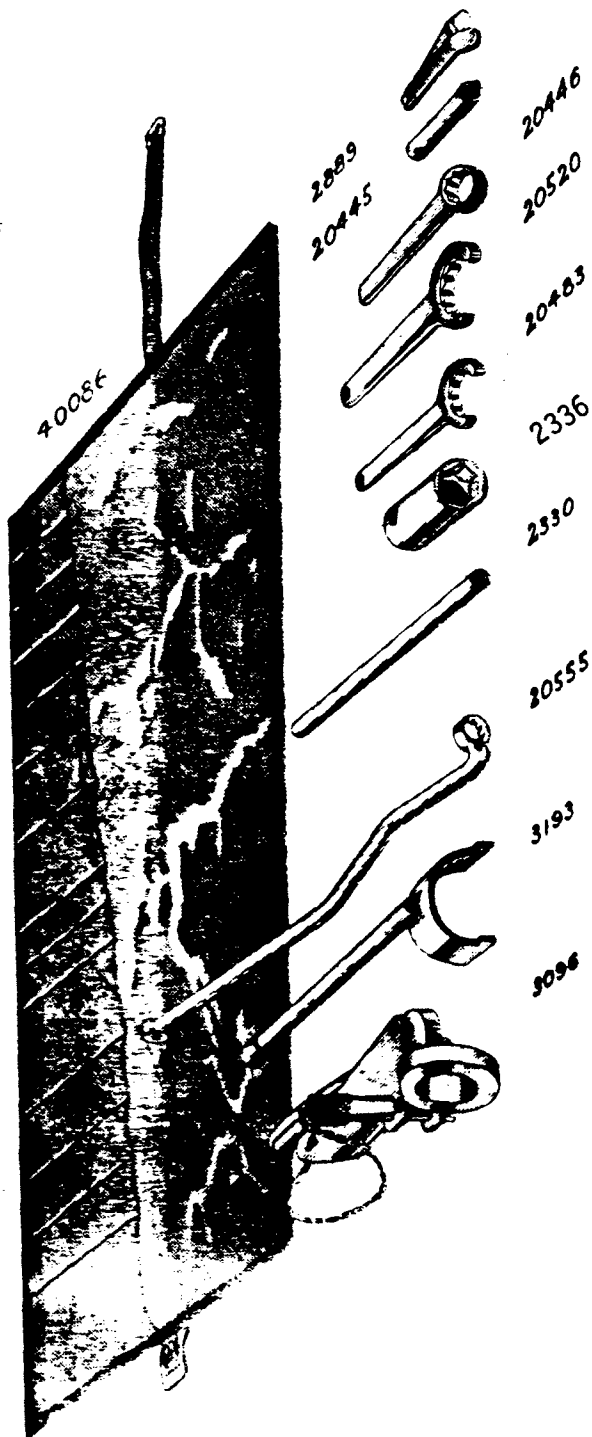
ALTERNATORS, R-670-4, -5, -6 & -11

Model 6555	12 volt, 50 amp JASCO, factory new	625.00
Model 6555-1	12 volt, 50 amp JASCO, complete with wiring diagram, voltage regulator and voltage protector, factory new	720.00
J-12M20	Voltage regulator-12 volt, factory new	75.00
SVP-3	Voltage protector-12 volt, factory new	38.00

SPARK PLUGS

C-26	Champion unshielded, new surplus	N/A
M-41E	Champion unshielded, factory new	17.53
A-88	AC unshielded, factory new	17.25
SH-2K	Autolite unshielded, new surplus	POR
EM41E	Champion shielded, factory new	16.73
SR-88	AC shielded, factory new	16.60

A20964
T.O.H. TOOL KIT
for
R-670-4,-5,-6 & -11
New Surplus



INDIVIDUAL TOOL PRICES - ALL NEW SURPLUS

Part No.	Nomenclature	Unit Price
2330	Bar-handle steel-----	5.50
2336	Wrench-spark plug (for 4B2S plug)---	12.95
2889	Gauge-valve clearance feeler-----	6.95
3096	Compressor-valve spring-----	34.50
3193	Wrench-intake pipe gland nut-----	29.00
20445	Wrench-valve adjusting screw-----	8.50
20446	Wrench-valve adjusting screw nut----	8.95
20483	Wrench-push rod housing gland nut---	10.95
20520	Wrench-push rod housing retainer nut	10.95
20555	Wrench-cylinder base nut-----	21.50

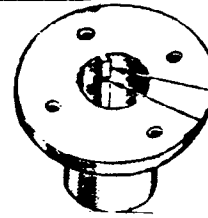
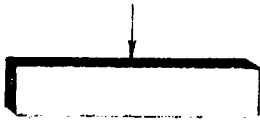
CONTINENTAL R-670-4, -5, -6, -11 ENGINE TOOLS

CRANKSHAFT ALIGNMENT BARS

Factory New

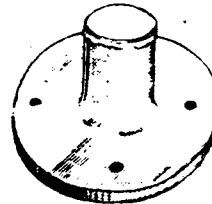
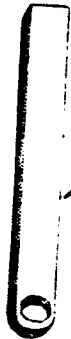
P/N 22992 (.4998 - .4995 size) \$23.50 ea.

P/N 22993 (.5001 - .5005 size) 23.50 ea.

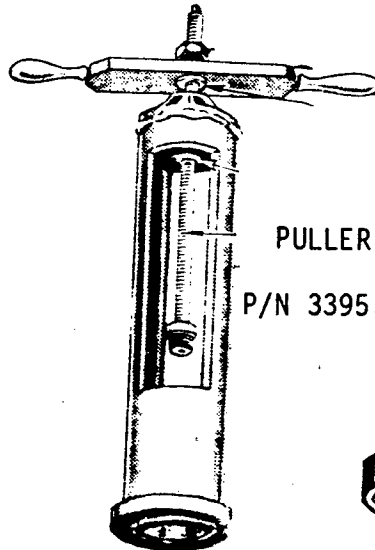


SUPPORT ASSY-Front Crankshaft Support
P/N A-4093 Factory New \$115.00

WRENCH-Crankshaft Clamp Bolt
P/N 3103 Factory New \$57.50

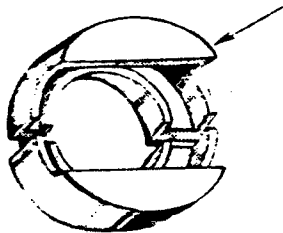


SUPPORT ASSY-Rear Crankshaft Support
P/N A4288 Factory New \$105.00



P/N A-4230, Factory New
PULLER ASSY-Crankcase & Main Bearing
Complete with
P/N 3395, P/N 3396, P/N 3288 & P/N 3484
\$535.00

P/N 3484 - Factory New
\$89.50 each



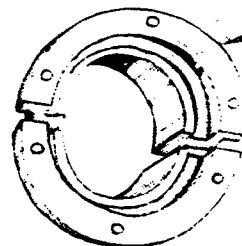
P/N 3288 - Factory New
\$59.50 each



THRUST NUT WRENCH
for both type thrust nuts
P/N 35190 \$147.50
Factory New



P/N 3396 - Factory New
\$49.50 each



P/N 3395 - Factory New
\$97.50 each