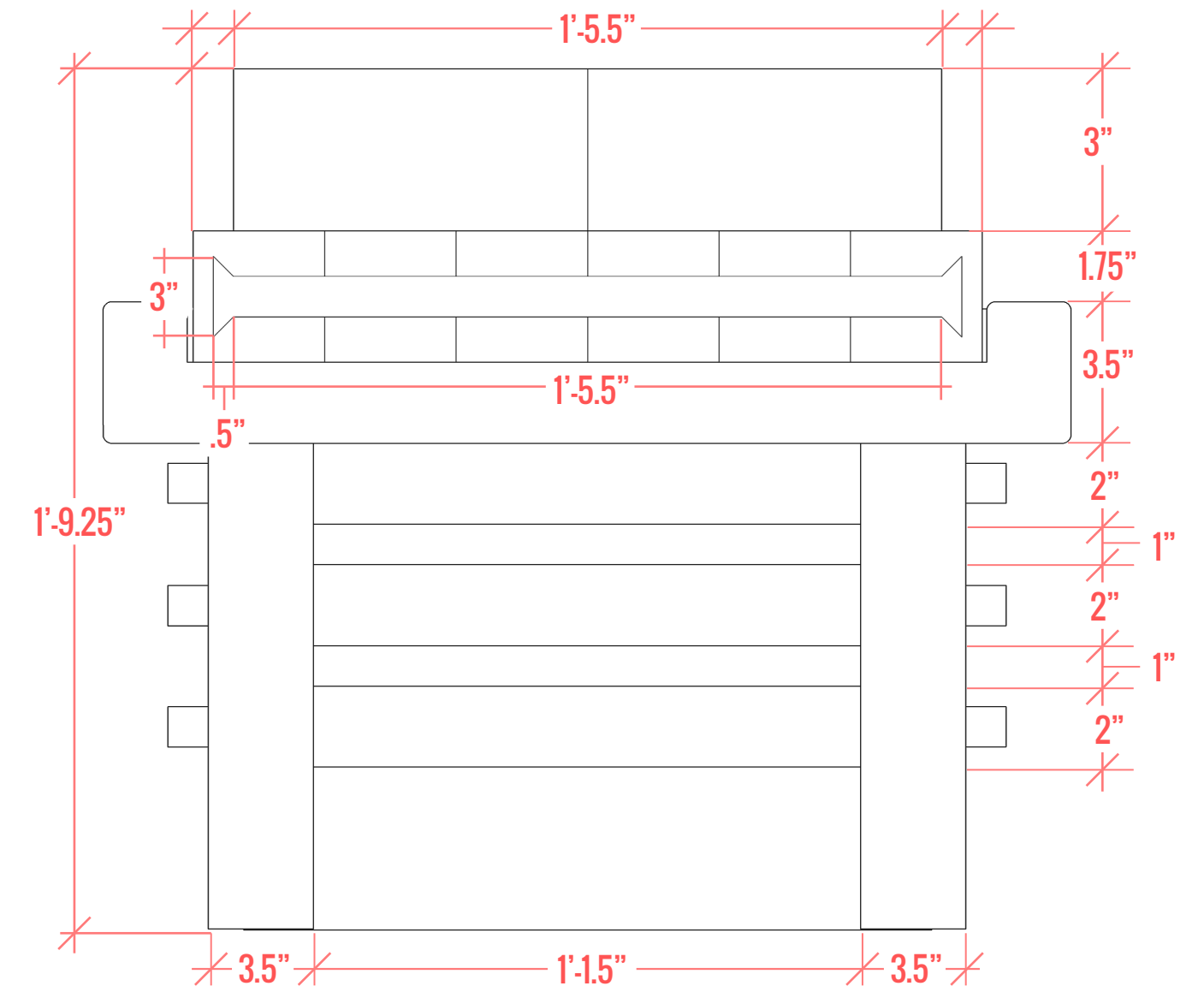
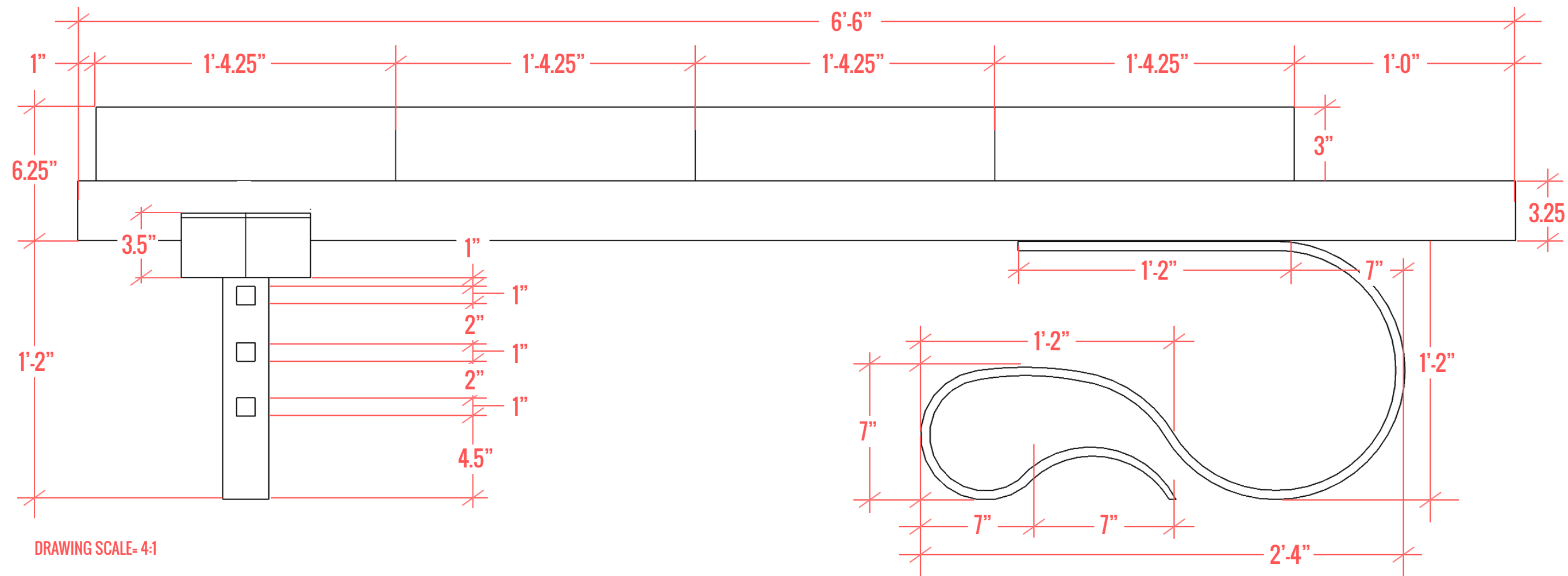


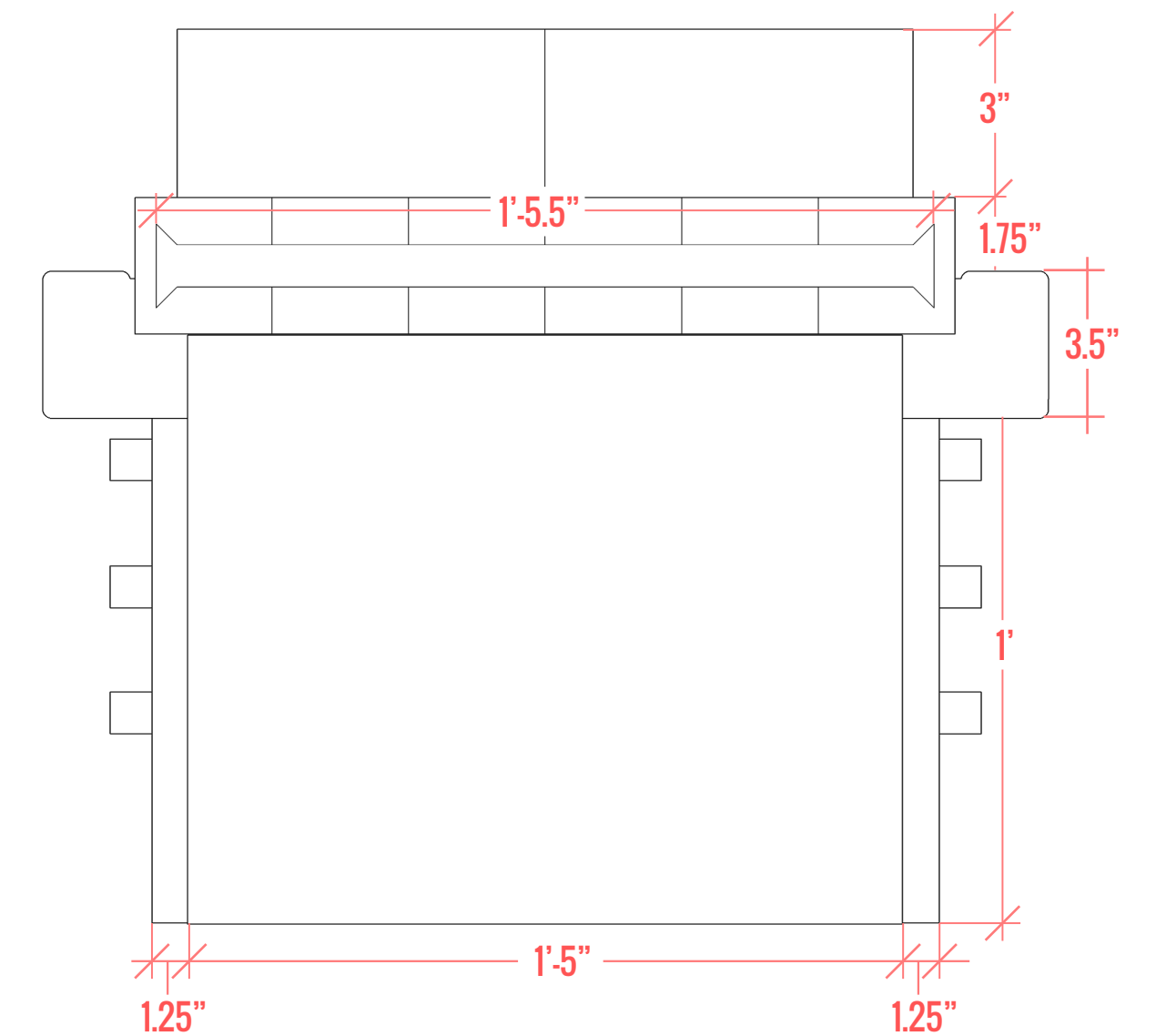
DRAWING SCALE- 4:1



DRAWING SCALE- 3:1



DRAWING SCALE- 4:1



DRAWING SCALE- 3:1

Description CUSTOM BENCH SEAT 21.25"H x 78" L x 19.5" W		Project Location ROYAL OAK, MI	
File Name NORHEIM BENCH SCHEMATICS	Date Sep. 29th 2020	Scale AS NOTED	
Drawn JTD	Class ARI3113 Furniture & Millwork, Prof. Jenna Walker, Fall 2020		
ALL DIMENSIONS ARE IN INCHES UNLESS OTHERWISE NOTED			
		JALEN DAVIS 220 ALEXANDRIA CT (248) 444-9595 CANTON MI 48188 JDAVIS7@LTU.EDU ARI3113 FALL 2020	