

X-Y-G METRIC PROJECT



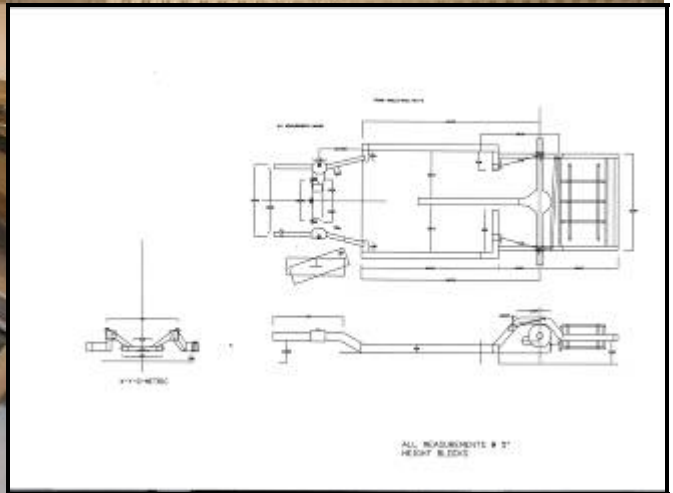
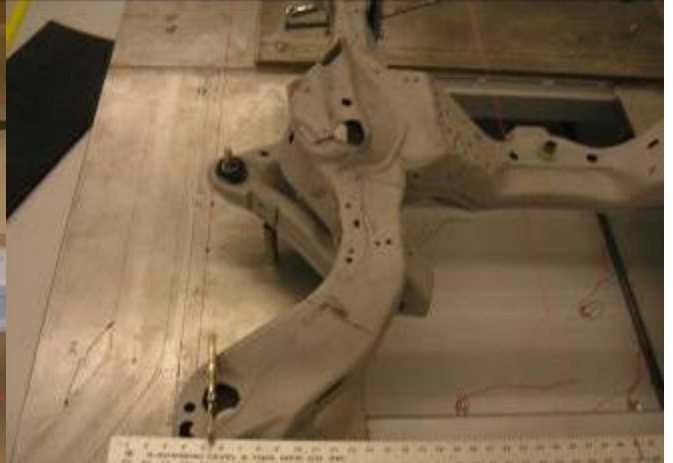
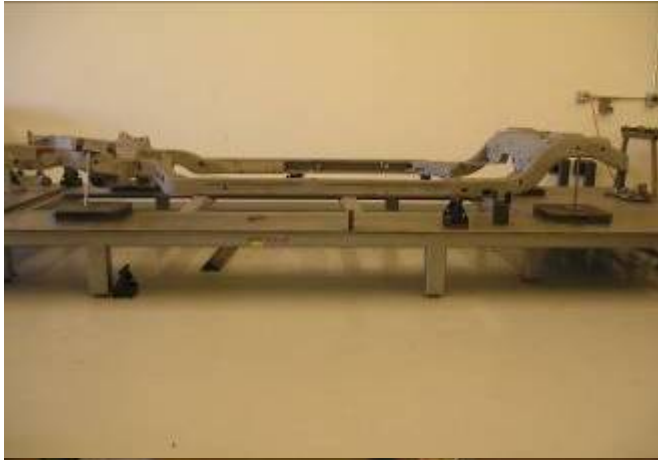
REMEMBER THIS ????

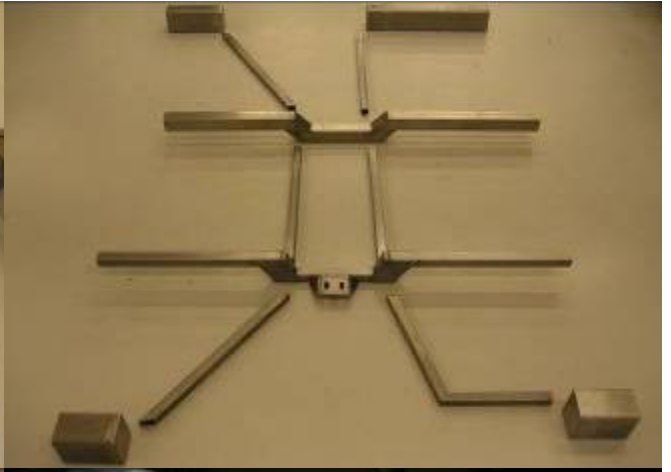
**YES GUYS IT'S A 1978-1989 GM METRIC FRAME
"GM MADE A GAZILLION OF THEM"**

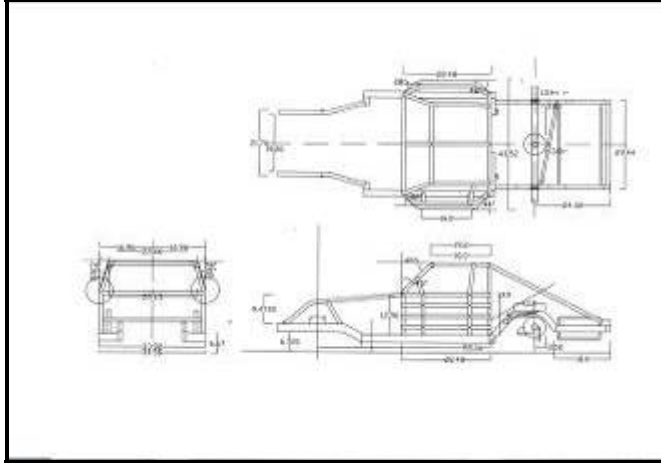
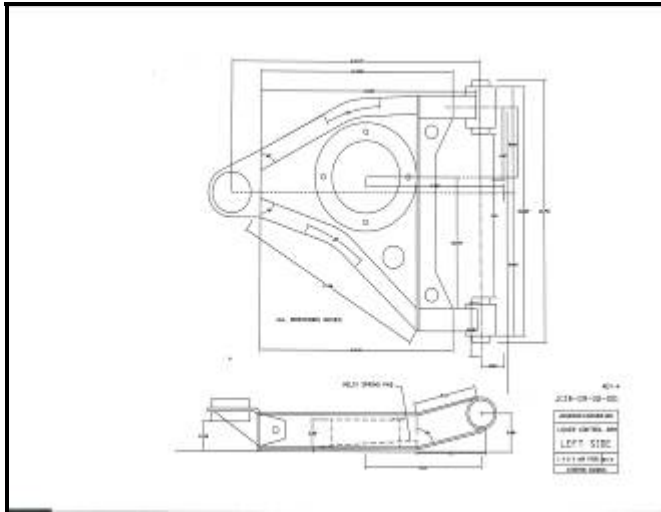
**BUT WE DROVE, RACED, SMASHED, AND CRASHED THEM
TO EXTINCTION. THAT'S RIGHT! WITH 1500 SHORTRACKS
ACROSS THE USA AND CANADA WITH APPROXIMATELY
3 DIVISIONS OF 20 GM METRIC FRAME RACECARS AND
TRUCKS THAT'S 90 THOUSAND METRIC CARS RACING
EACH WEEKEND.....**

**THEY HAVE BEEN A GOOD CAR TO US AND A GOOD MANY
OF THEM WILL RACE FOR SEVERAL MORE YEARS. BUT
WITH NO FULL FRAME REAR WHEEL DRIVE CAR MADE TO
REPLACE IT HOW DO WE SAVE SHORTRACK RACING???**

**HERE IS AN OPTION WITHOUT OBSOLETING THE GOOD
CARS AND TRUCKS YOU STILL HAVE AT YOUR TRACKS.**









FROM PURE STOCK TO OUTLAW STOCK AND MODIFIEDS
STOCK REPLACEMENT TUBULAR FRAME AND COMPONENTS
STOCK COMPONENTS FIT TUBULAR FRAMES AND TUBULAR
COMPONENTS FIT STOCK FRAMES.

WWW.JOHNSONCHASSIS.COM

CLICK HERE TO SEE MORE