
2019 Owners Guide



“MAX”

original Pet-Pilot

Available in 9 Colors!

visit travelin-k9.com

to purchase color inserts or accessories

PET-PILOT (& the MAX) bicycle baskets for small pets
(for color images and additional images – see online manual)

General Use guidelines

1. Is your pet too heavy for this basket???
 - a. Body Size and Leg Length is KEY!! ... not your pets weight.
 - b. If your pet fits comfortably – the steel mount will support your pet, guaranteed!
2. The design of the handlebar attachment lock is very stable and secure – for safety, always ensure the Velcro tie-down (for the metal handle) has the handle secured down before use.
3. Routinely check the security and snugness of the attachment points if going on a long ride.
4. Your Pet-Pilot can be cleaned by vacuuming the interior and using a soft bristled brush on the exterior to remove dried dirt, followed by light cleaning with a damp cloth and a quick rinse.
5. Please be aware (and make allowances for), braking and handling changes associated with the additional weight on the front of your bike.
6. **Do not attach Safety Leash to your pet's collar – ONLY attach to a harness fitted for your pet.**

Parts Included - shown below

Some assembly required



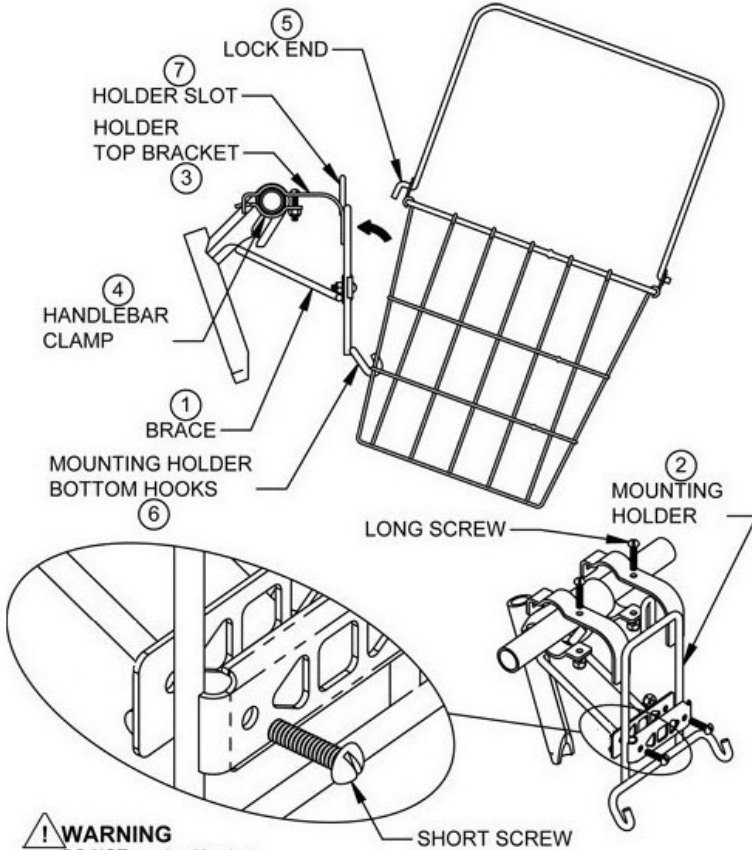
Handlebar Mount Parts – shown below



Designer Cover & Liner removed for clarity



ASSEMBLY INSTRUCTIONS

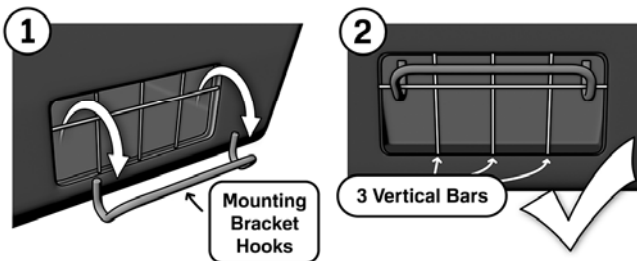


! WARNING
DO NOT overload basket.
Overloading basket may cause difficulty in steering and/or loss of bicycle control which could result in injury.

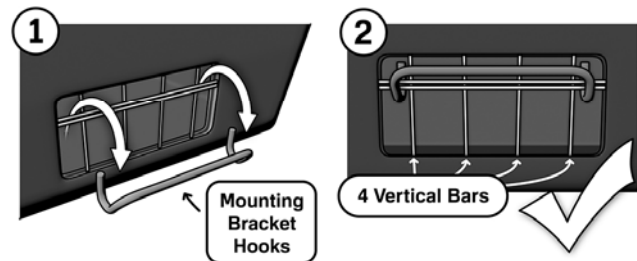
- Loosely assemble ① brace onto two vertical side wires of ② holder with short screws. In most cases brace will be angled upward toward Stem as shown.
- Center holder and hang ③ holder top brackets over handlebar. (If clamping onto 7/8" portion of handlebar, insert rubber spacer strips between holder and handlebar). Loosely assemble two ④ handlebar clamps with long screws.
- Attach basket to holder
 - Hold basket so ⑤ lock end of handle is toward holder.
 - Center basket with holder and insert lower basket frame wire over bottom hooks of holder as shown.
 - Raise handle upright and insert ⑤ lock end of handle through ⑦ slot at top of holder.
 - Lay handle flat to lock.
- Adjust holder ① brace vertically on holder side wires until basket is in proper position.
- Remove basket from holder
 - Raise basket handle upright.
 - Pull away from holder and lift basket from bottom hooks of holder.
- Tighten all holder fittings securely.



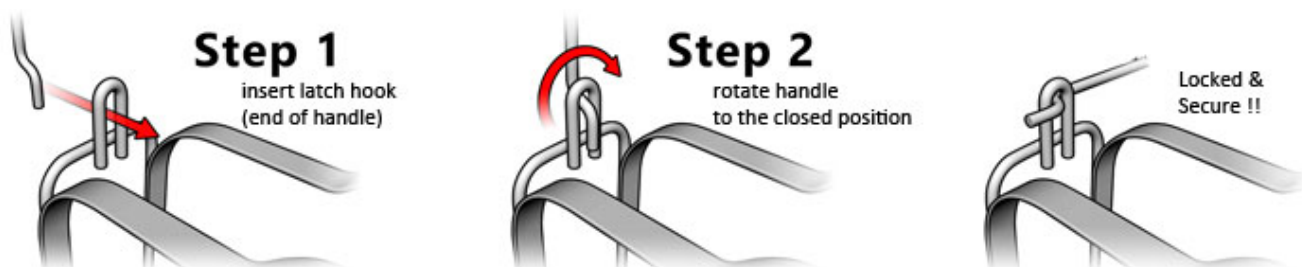
Original



MAX



LOCKING your Pet-Pilot on the mount



WARNING! – With any cargo loaded in the Pet-Pilot, the additional weight on the handlebars will affect steering and braking - please use caution! Travelin’K9 is not liable for any damage caused by aggressive, destructive, immature or untrained pets; additionally, Travelin’K9 is not liable for damage or injury caused by reckless or aggressive bicycle maneuvers performed by the bicycle operator, or improper mount installation.

- Not intended for long legged (Tall) pets. The Pet-Pilot has been designed to support smaller, non-aggressive pets. Never leave your pet unattended in the Pet-Pilot.
- **Do not attach Safety Leash to your pet’s collar – ONLY attach to a harness fitted for your pet.**

Looking for additional Accessories?

- Extra Mount – for an extra bike?
- Different Color?
 - 9 Colors (inserts) available!
- New Cover/Liner?

Order these items online at www.travelin-k9.com

Limited 1-year warranty - (48 contiguous USA only)

Travelin’K9, Inc. warrants to the original consumer, that this product will be free of defects for a period of one year from the date of purchase. Travelin’K9’s liability here under is limited to the replacement of the product only. This warranty is void if the product has been damaged by accident, unreasonable use, neglect, tampering or other causes not arising from defects in material or workmanship.

To exercise your warranty: If during the warranty period, your product malfunctions, return it to the place of purchase with your original receipt. If this cannot be done, return the product, postage prepaid, to Travelin’K9, Inc. with dated proof of purchase or original receipt. All returns to Travelin’K9 require an RMA which can be obtained by going to www.travelin-k9.com and completing the Return Request Form which provides us the details of your return request. A response email will be returned to you with the RMA and return instructions to the email address you provide.

Travelin’K9 Customer Service Help Center

610 N. 5th Street, Suite B, Pekin, IL 61554 • info@travelin-k9.com • (309) 550-7248