

TECHNICAL DATA SHEET

FEATURES

DETAIL ESPECIFICATIONS

POWER FACTOR	≥0.95
LED CHIP	Samsung 3535
LED DRIVER	OEM (WL90) / Meanwell (WL112)
MATERIAL	Aluminium alloy + PC Optic lens
WORKING TEMPERATURE	-22°F-113°F
LIFESPAN	>54000 hours (@Tc=176°F)
THD	≤15%
CRI	Ra≥70
BEAM ANGLE	Type III Medium (90° * 140°)



Applications

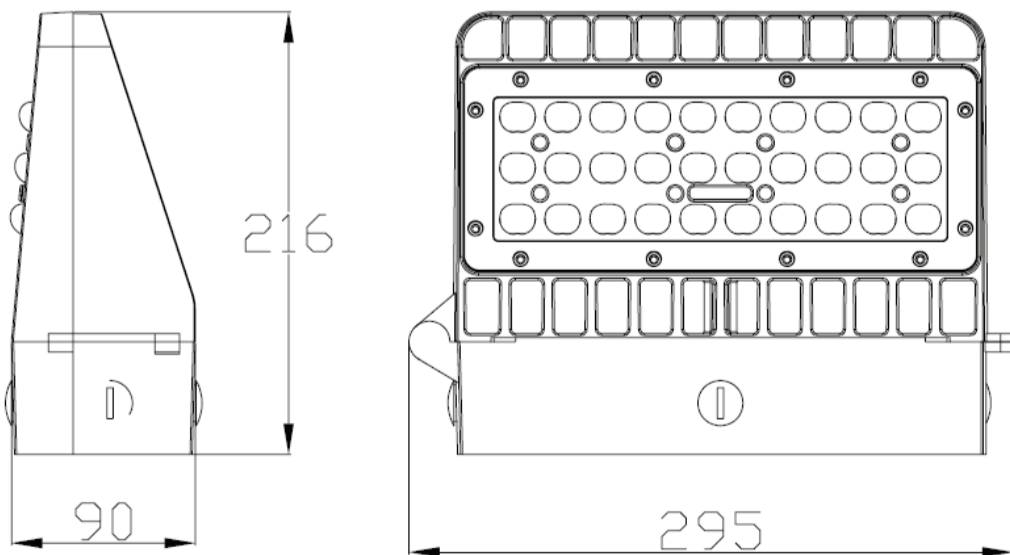
- Walkways
- Entrances
- Pathways
- Building perimeters
- Parking Lots

LED MODEL	WATTAGE	CCT	LUMENS	INPUT FREQUENCY	VOLTAGE
I2-YR-LUM90-W30	30W	1700-3000K	3000lm	50/60HZ	100-277V
I2-YR-LUM90-W48	48W	1700-3000K	4800-5250lm	50/60HZ	100-277V
I2-YR-LUM112-W80	80W	1700-3000K	8000-8800lm	50/60HZ	100-277V
I2-YR-LUM112-W100	100W	1700-3000K	10000-11000lm	50/60HZ	100-277V
I2-YR-LUM112-W120	120W	1700-3000K	12000-13200lm	50/60HZ	100-277V
I2-YR-LUM112-W150	150 W	1700-3000K	15000-16500lm	50/60HZ	100-277V

CERTIFICATIONS

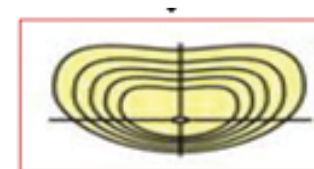


DIMENSIONS



LED MODEL	A	B	C
LUM90	8.5"	3.5"	11.6"
LUM112	10"	4.4"	14.3"

Type III Medium (90*140)



TYPE III medium