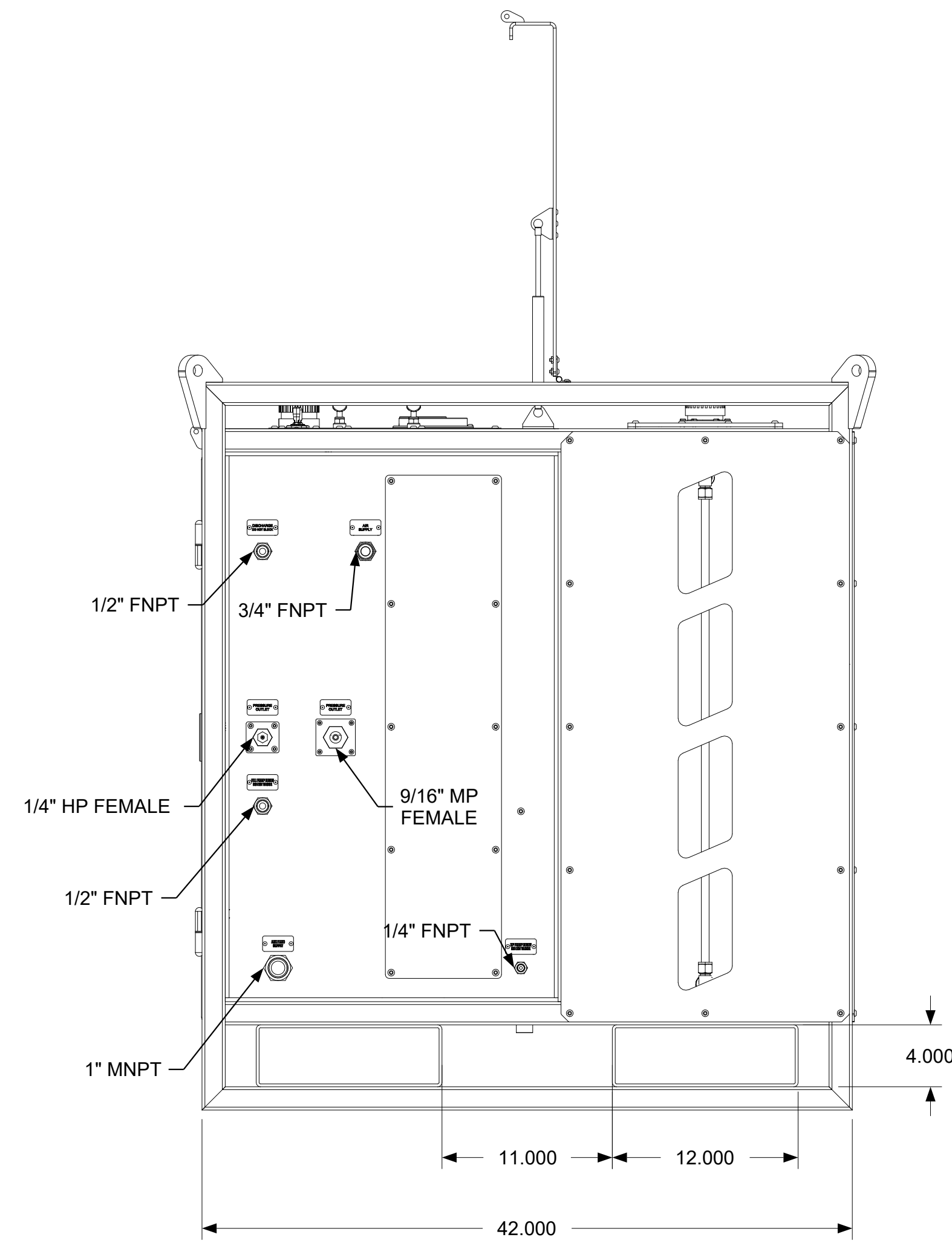
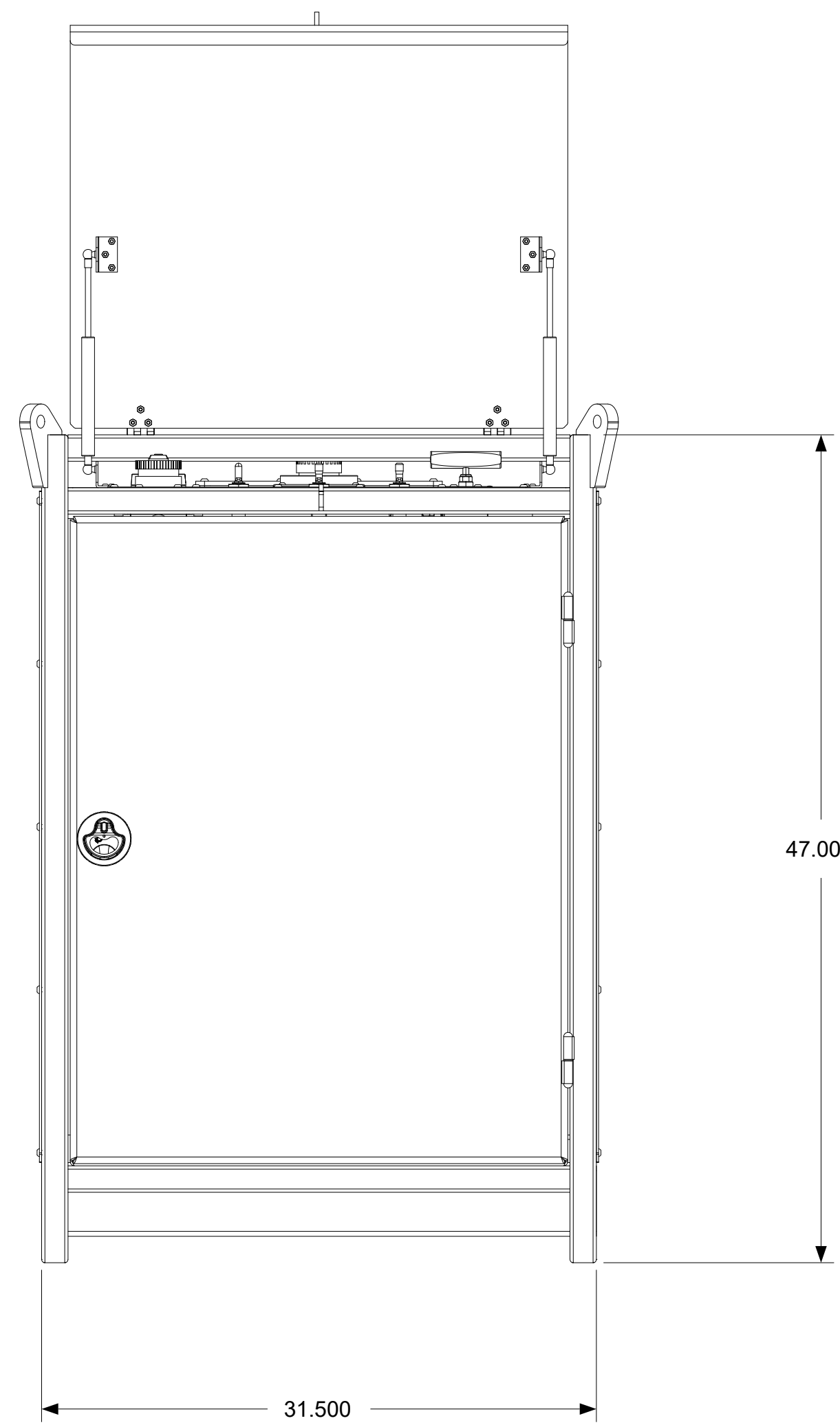
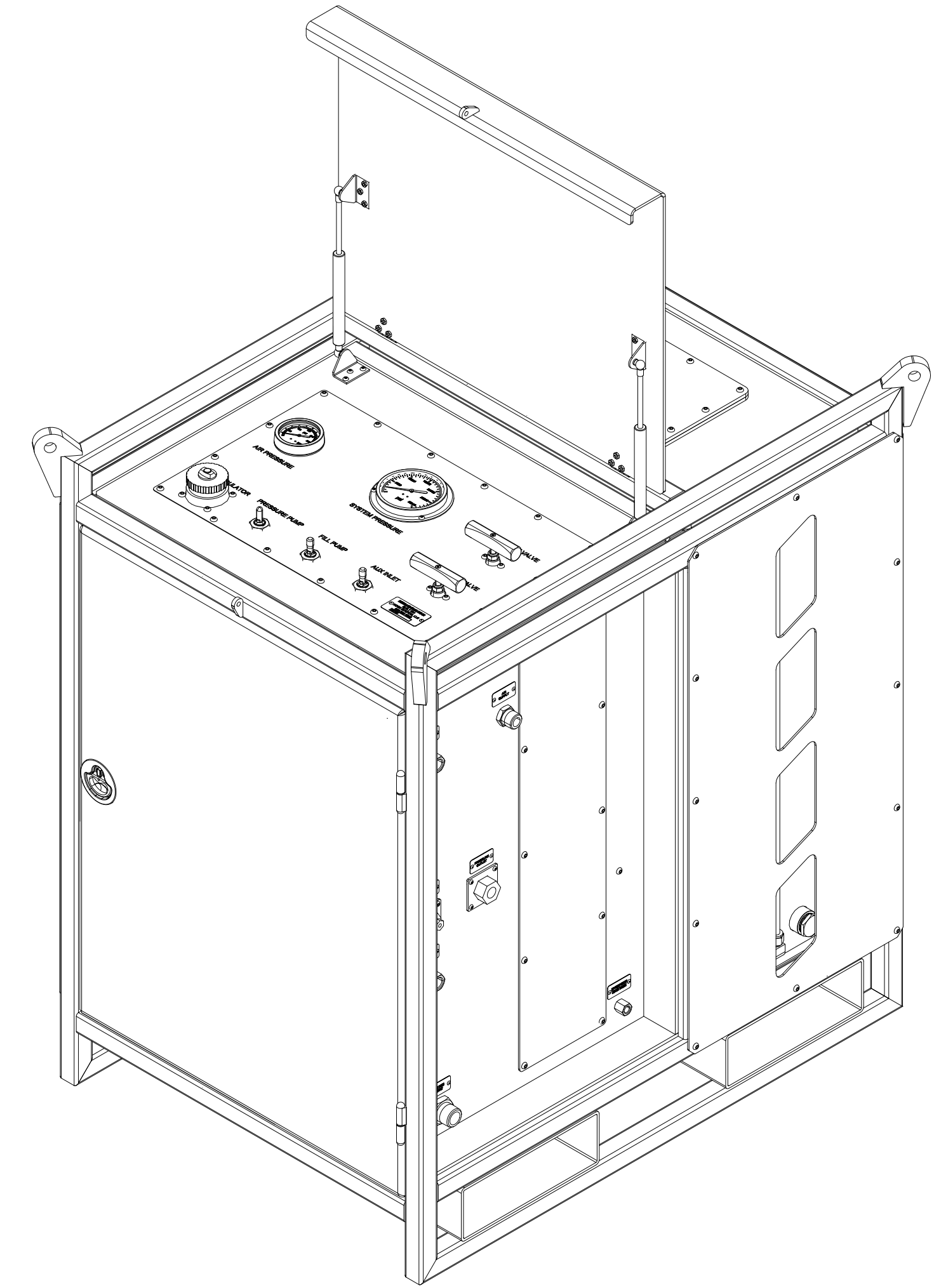
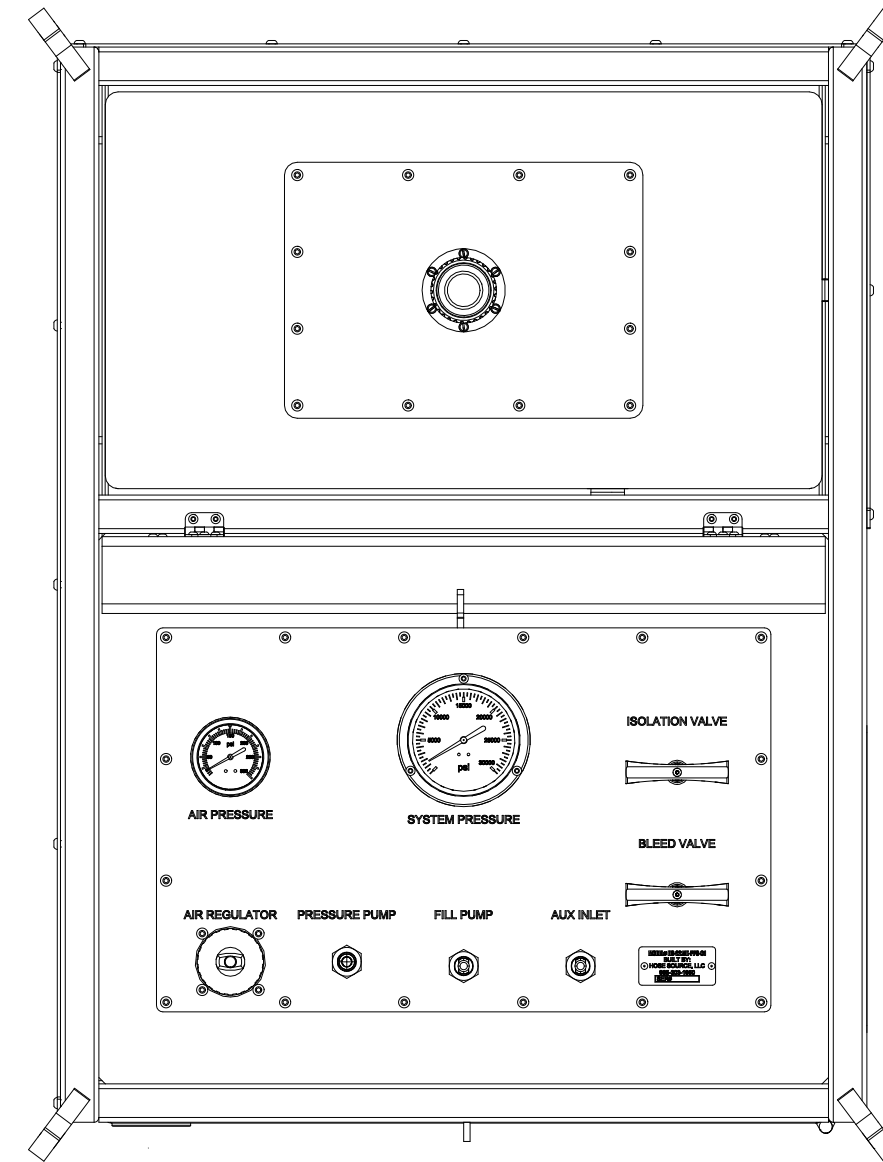


DESCRIPTION:

22,500 PSI HYDROSTATIC TEST PUMP SKID WITH 50 GALLON STAINLESS TANK



213 Trinity Ln
Gray, LA 70359

TITLE

HS-22.5K-PPS-01

SIZE	DRAWING BY:	K. GILES	REV	0
D				
SCALE	EDIT	SHEET 1 OF 1	REV DATE:	