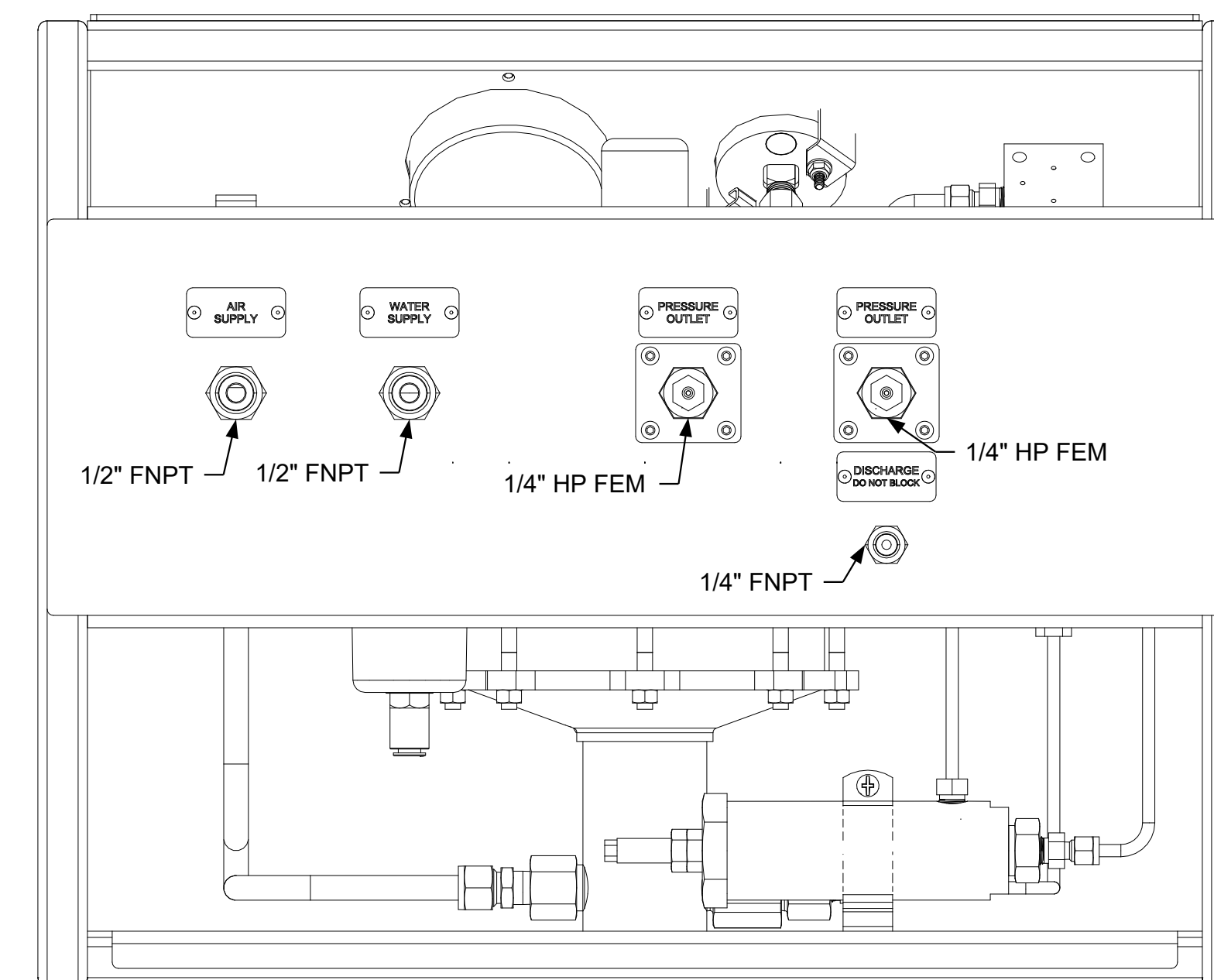
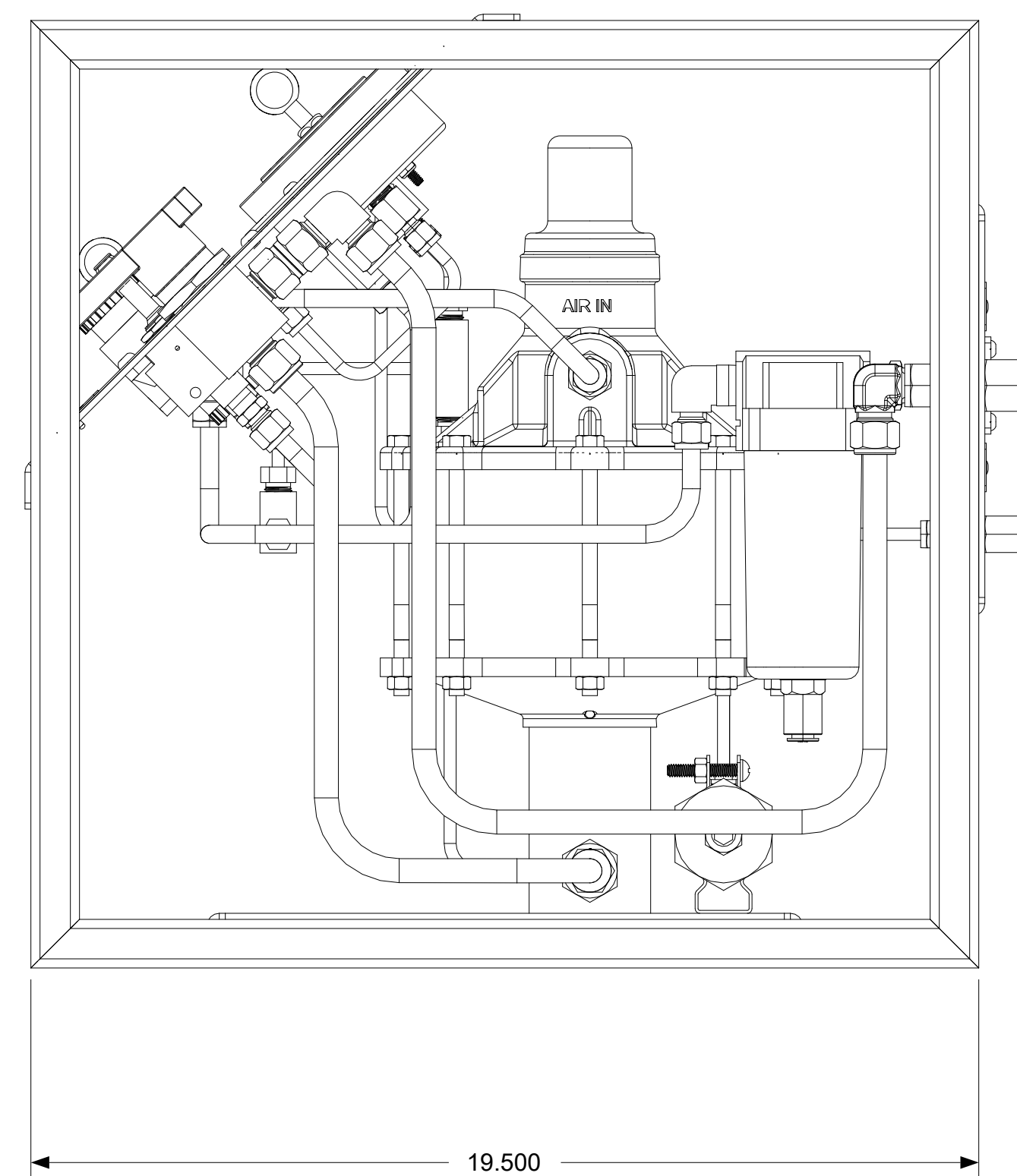
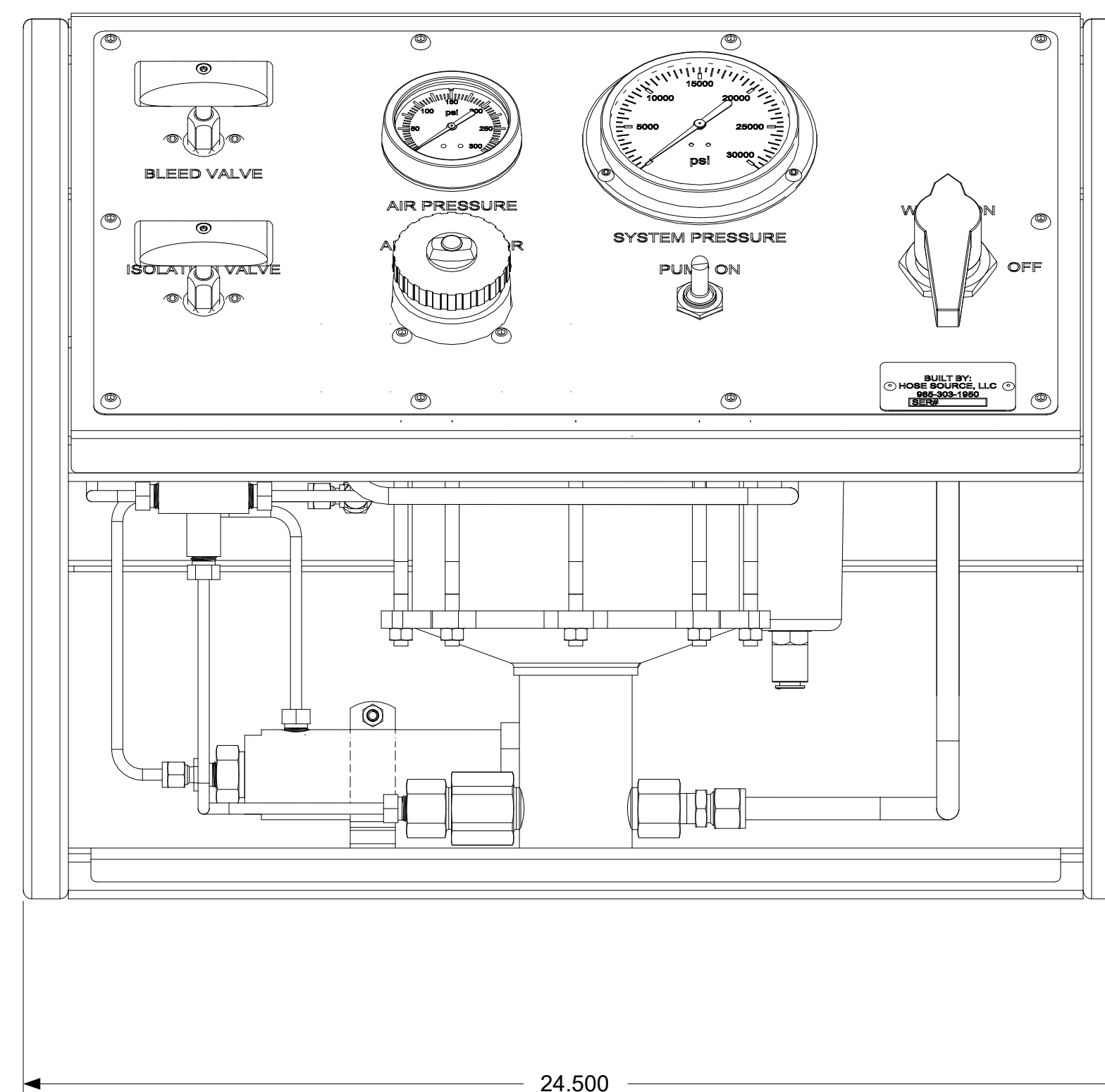
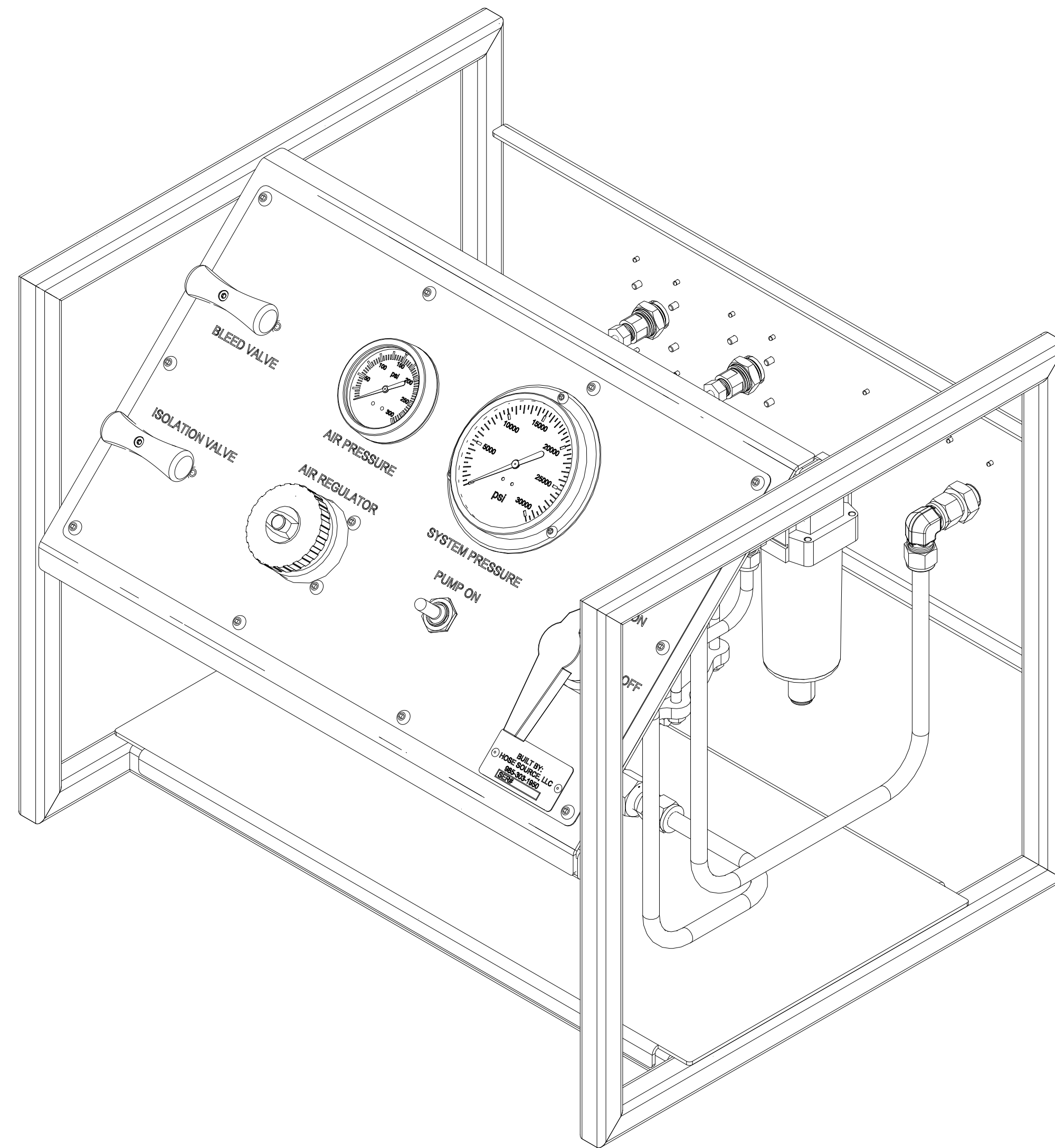


DESCRIPTION:

30,000 PSI PORTABLE TEST PUMP SYSTEM



213 Trinity Ln  
Gray, LA 70359

TITLE  
**HS-30K-PTP-01**

SIZE	DRAWING BY:	K. GILES	REV	0
D				
SCALE	EDIT	SHEET 1 OF 3	REV DATE:	01/04/22