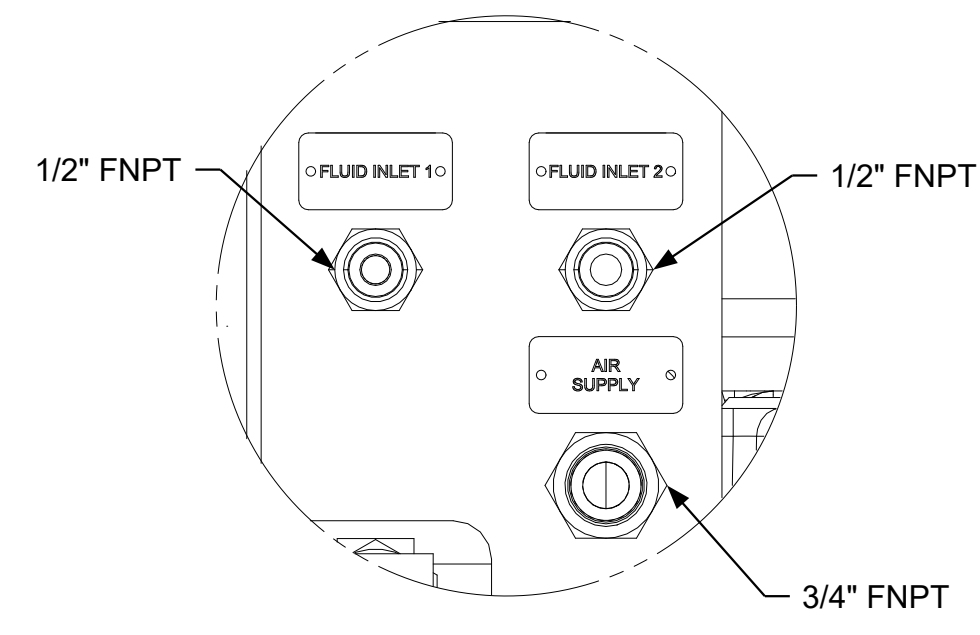
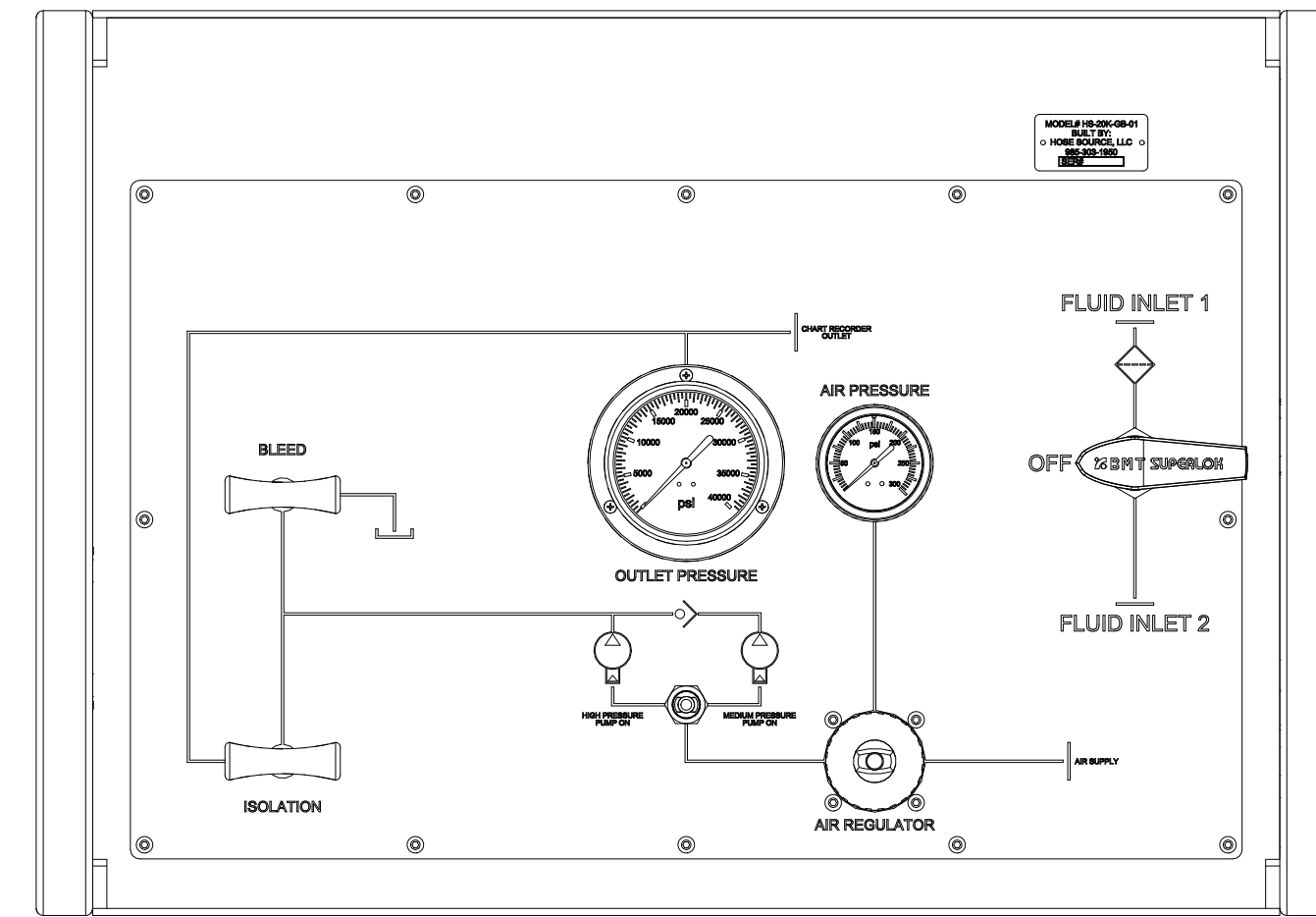


DESCRIPTION:

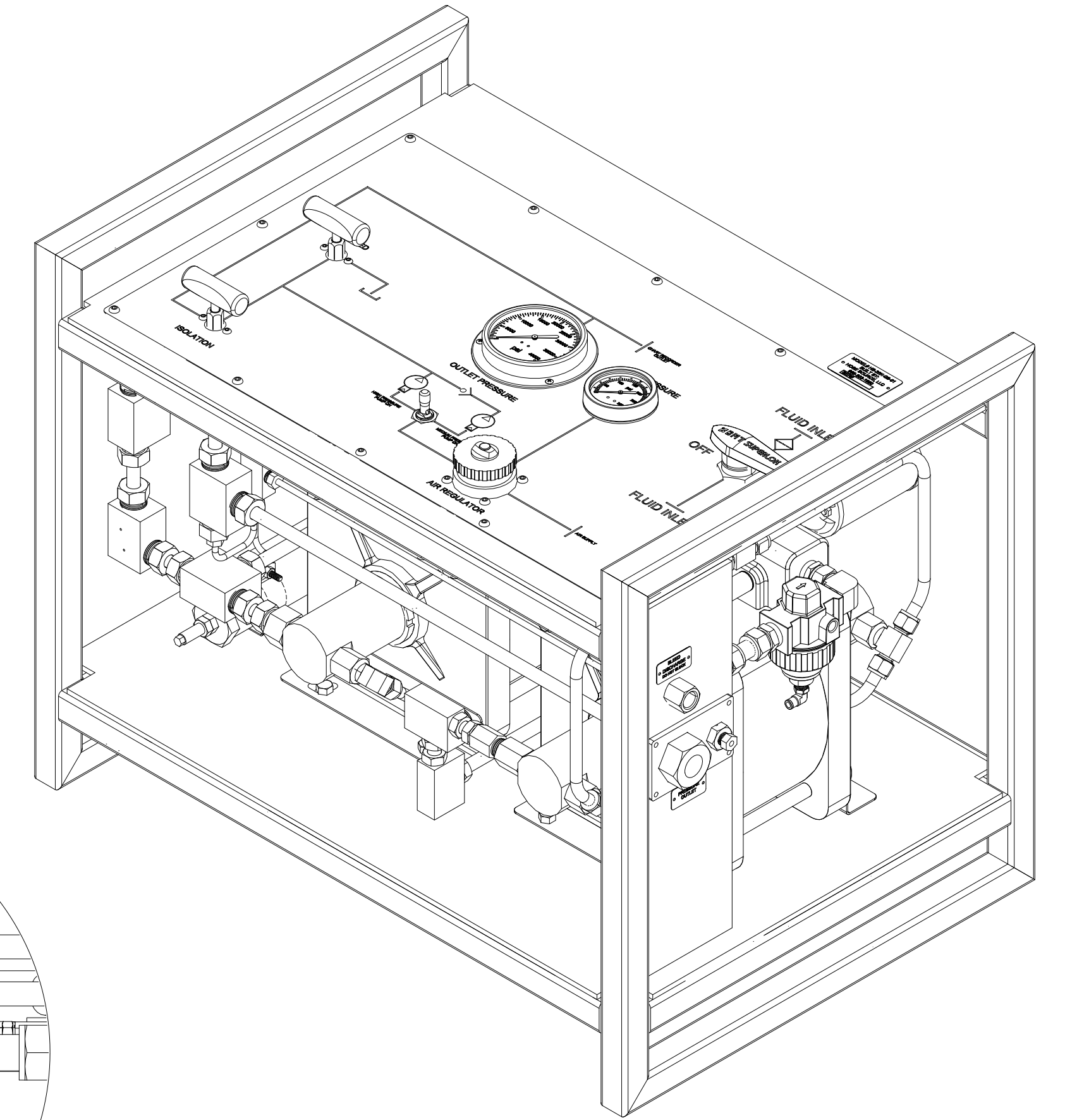
30,000 PSI PORTABLE TEST PUMP SYSTEM



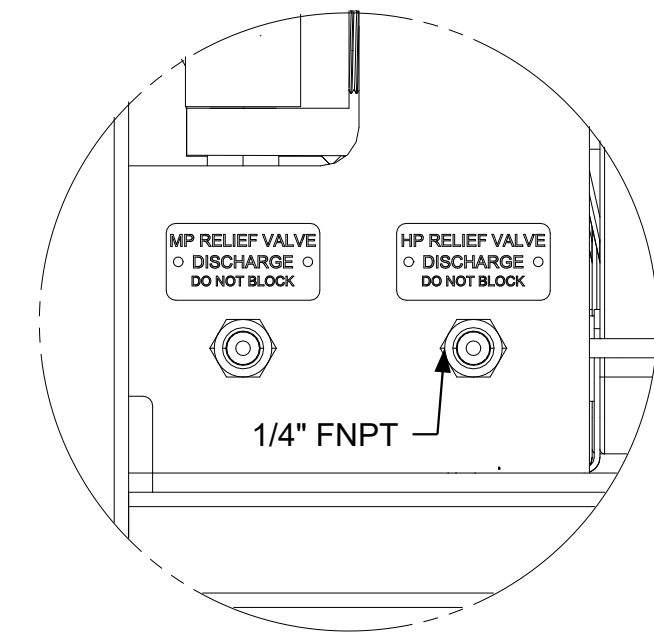
Detail A



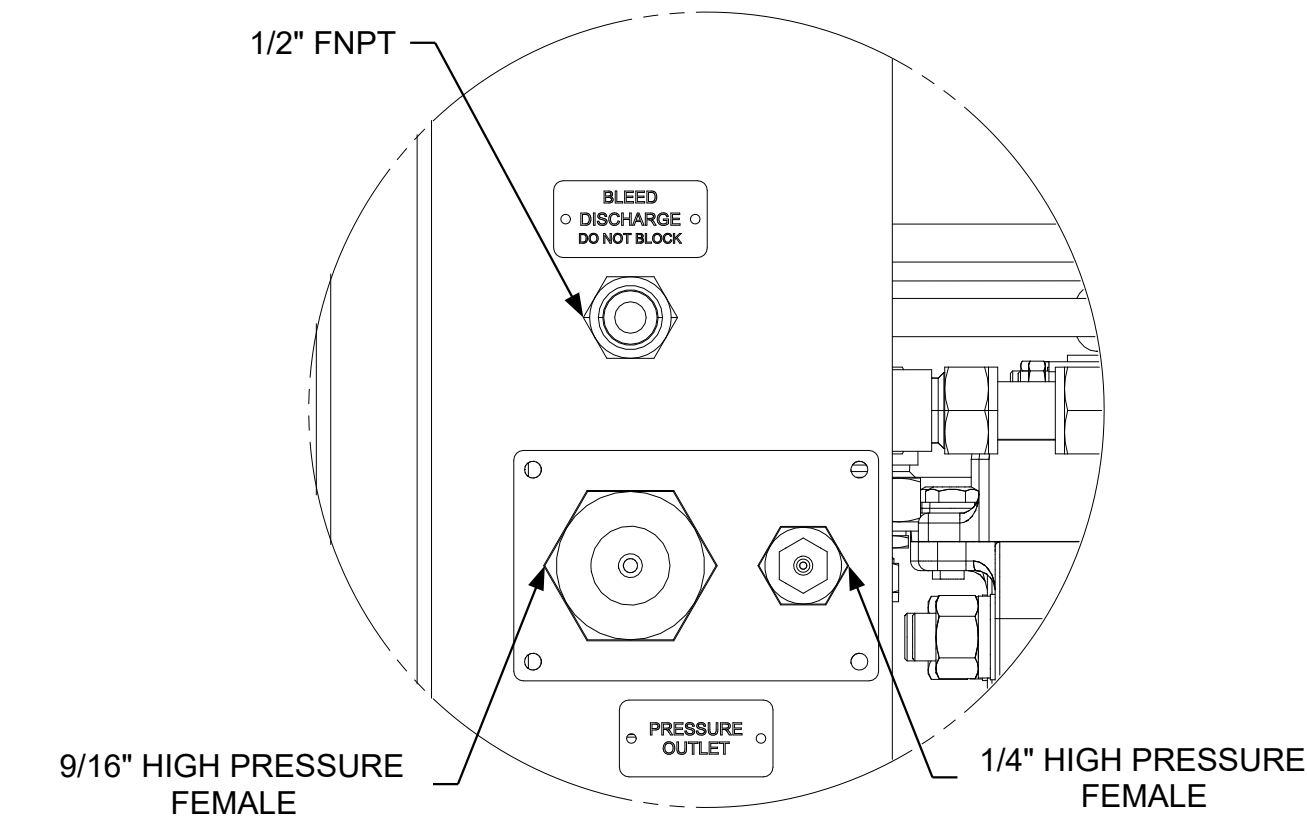
TOP



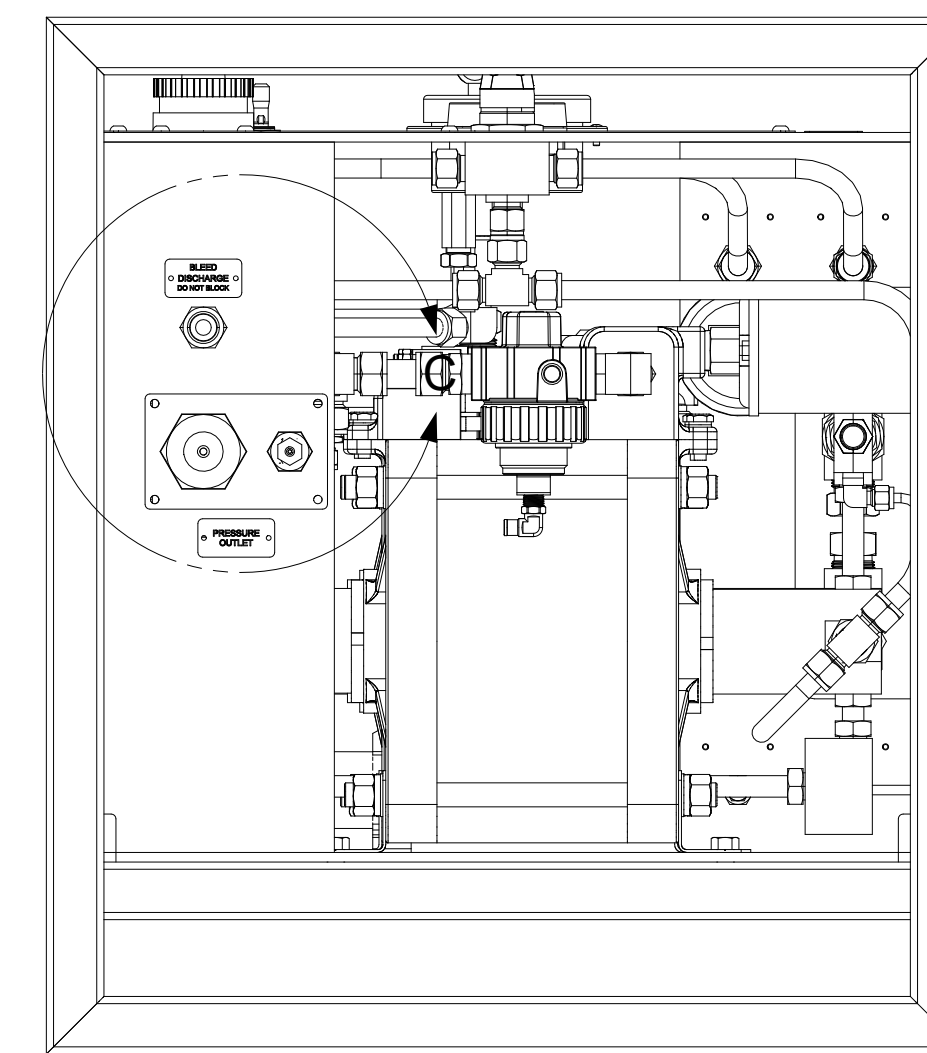
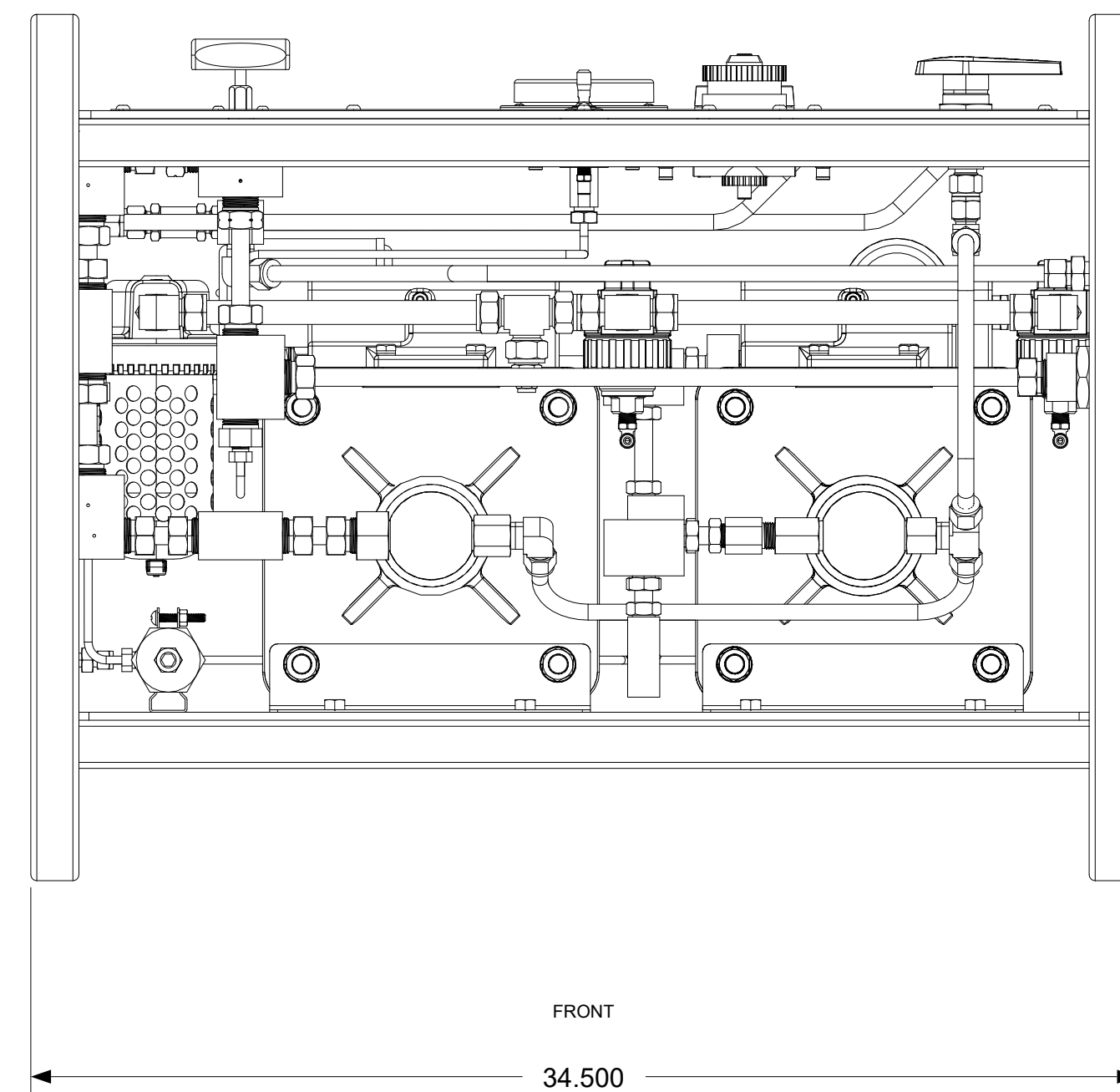
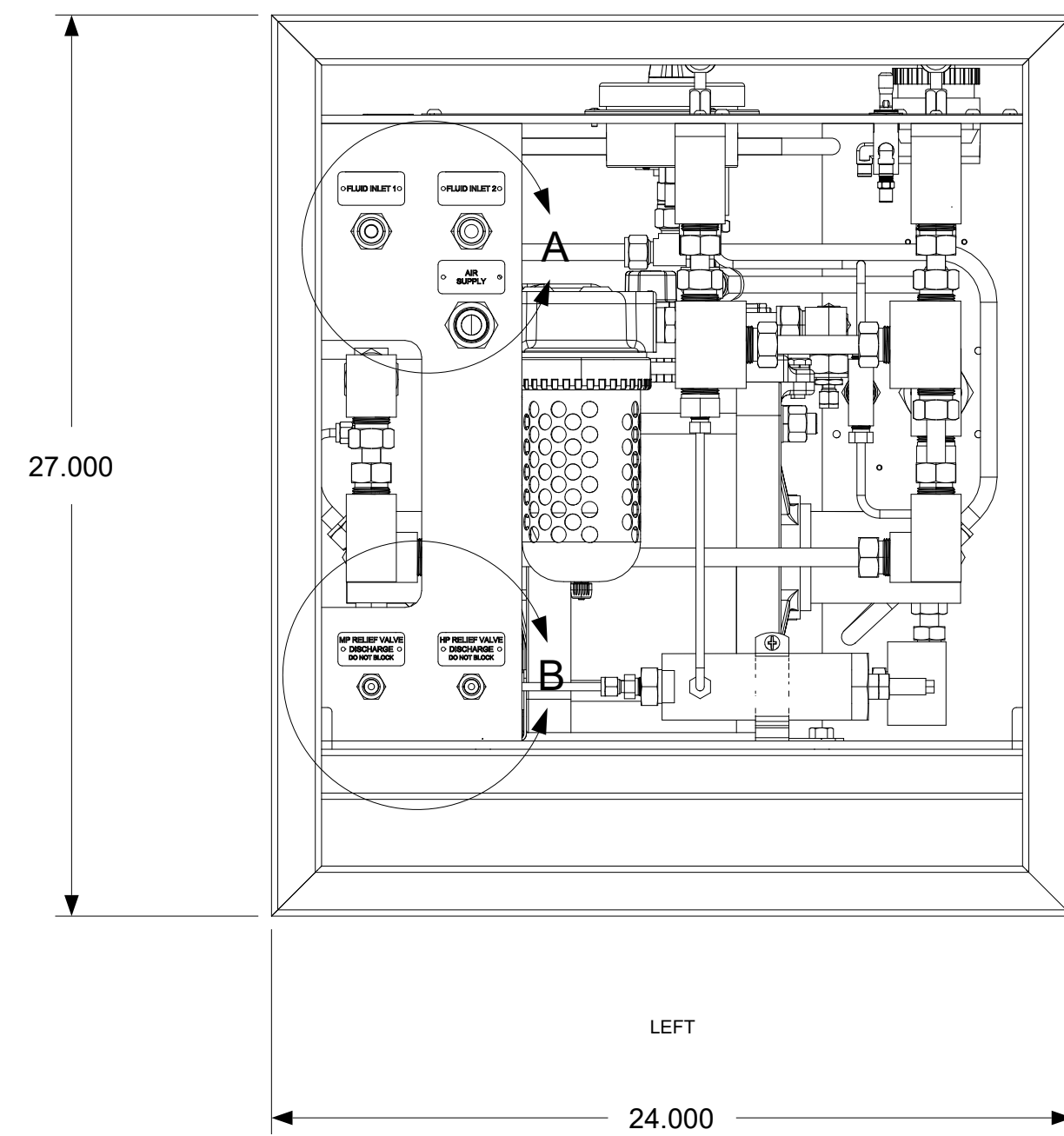
T.F.R



Detail B



Detail C



RIGHT



213 Trinity Ln  
Gray, LA 70359

TITLE		
HS-30K-PTP-02		
SIZE	DRAWING BY:	REV
D	K. GILES	0
SCALE	EDIT	REV DATE:
	SHEET 1 OF 4	01/19/22