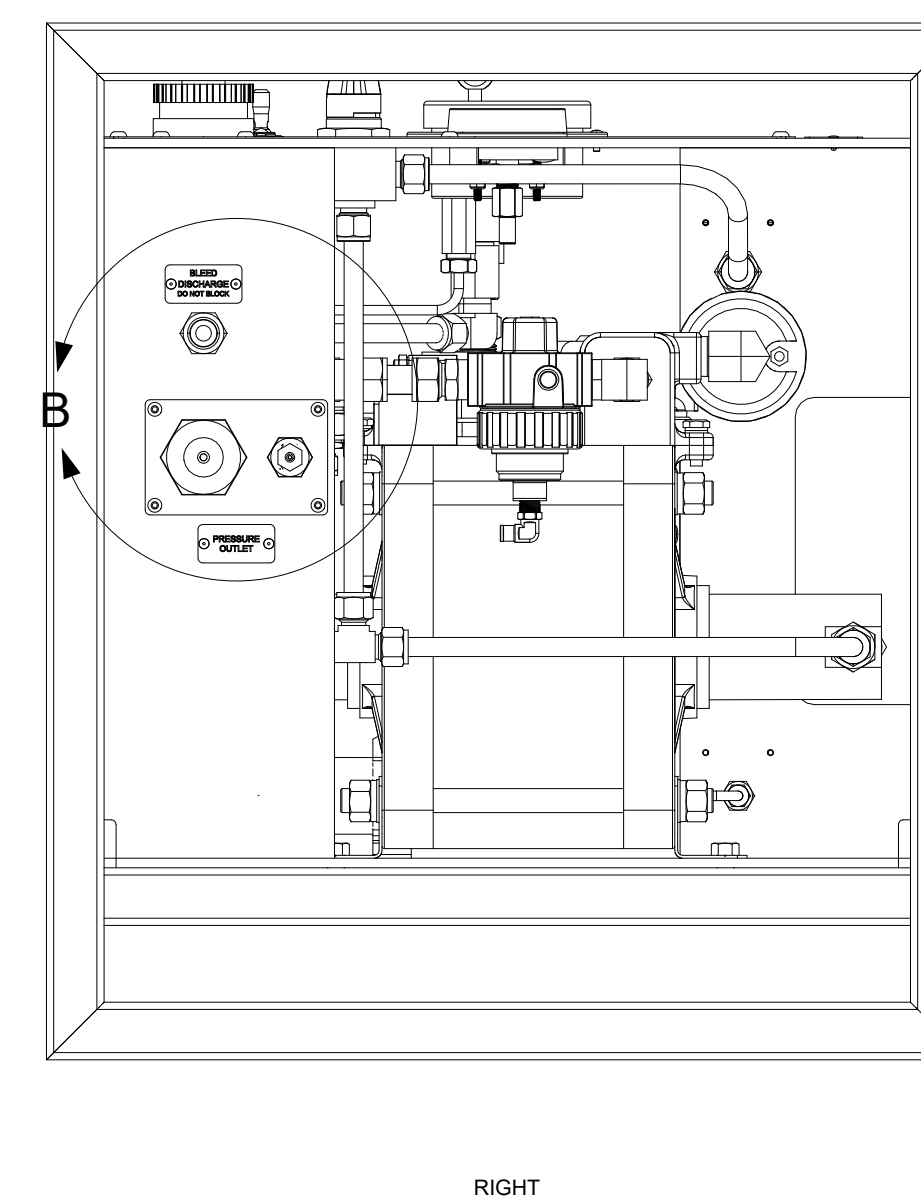
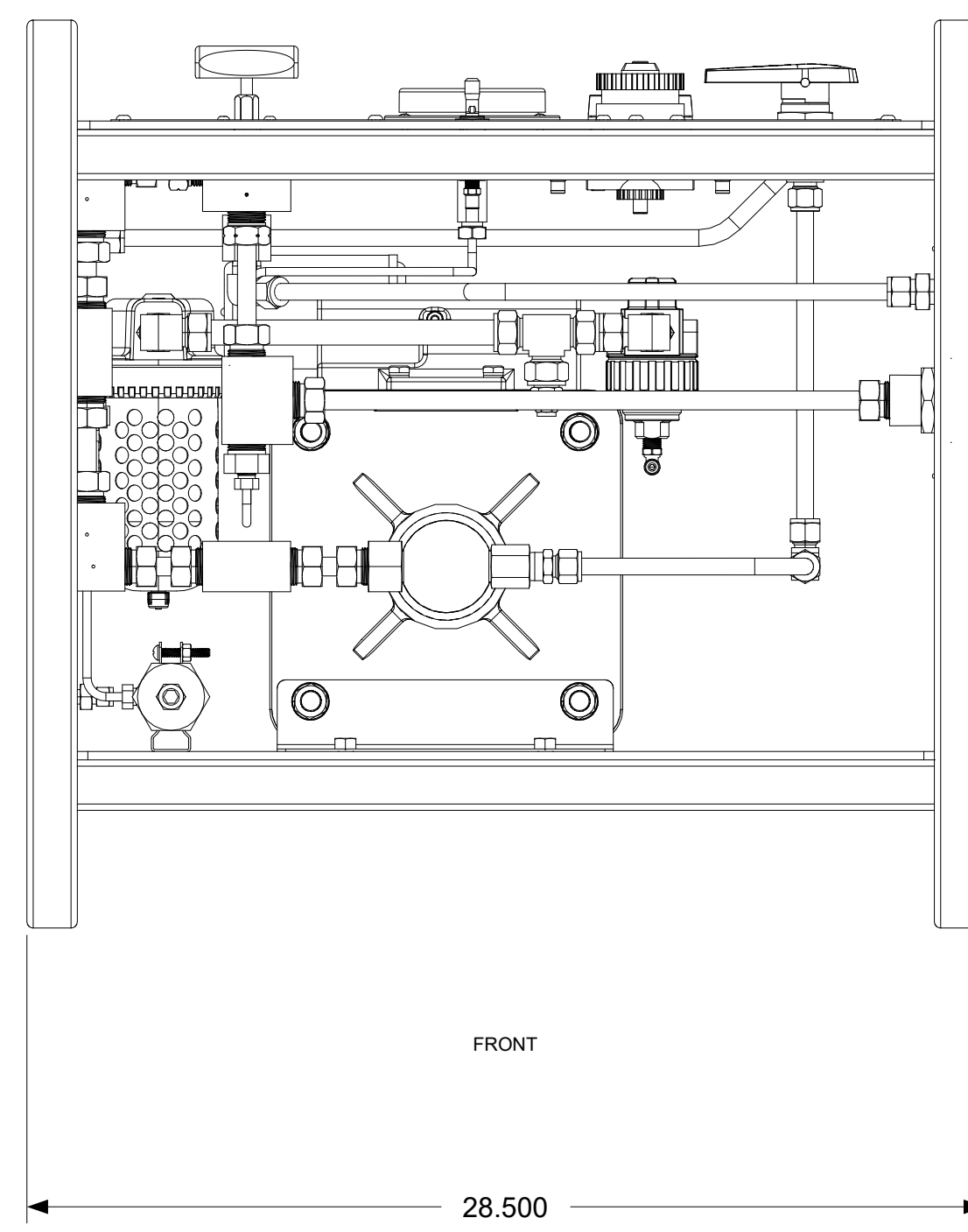
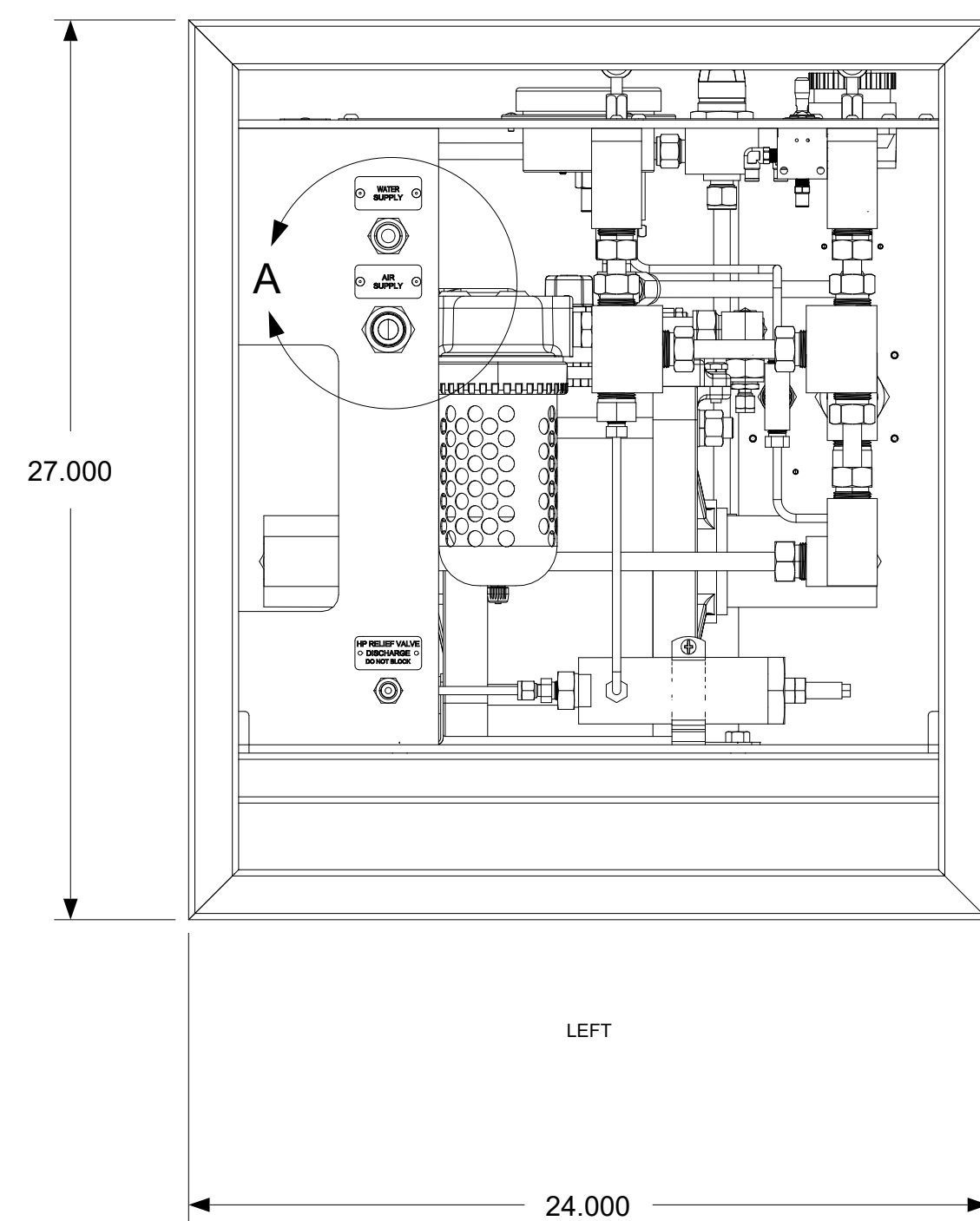
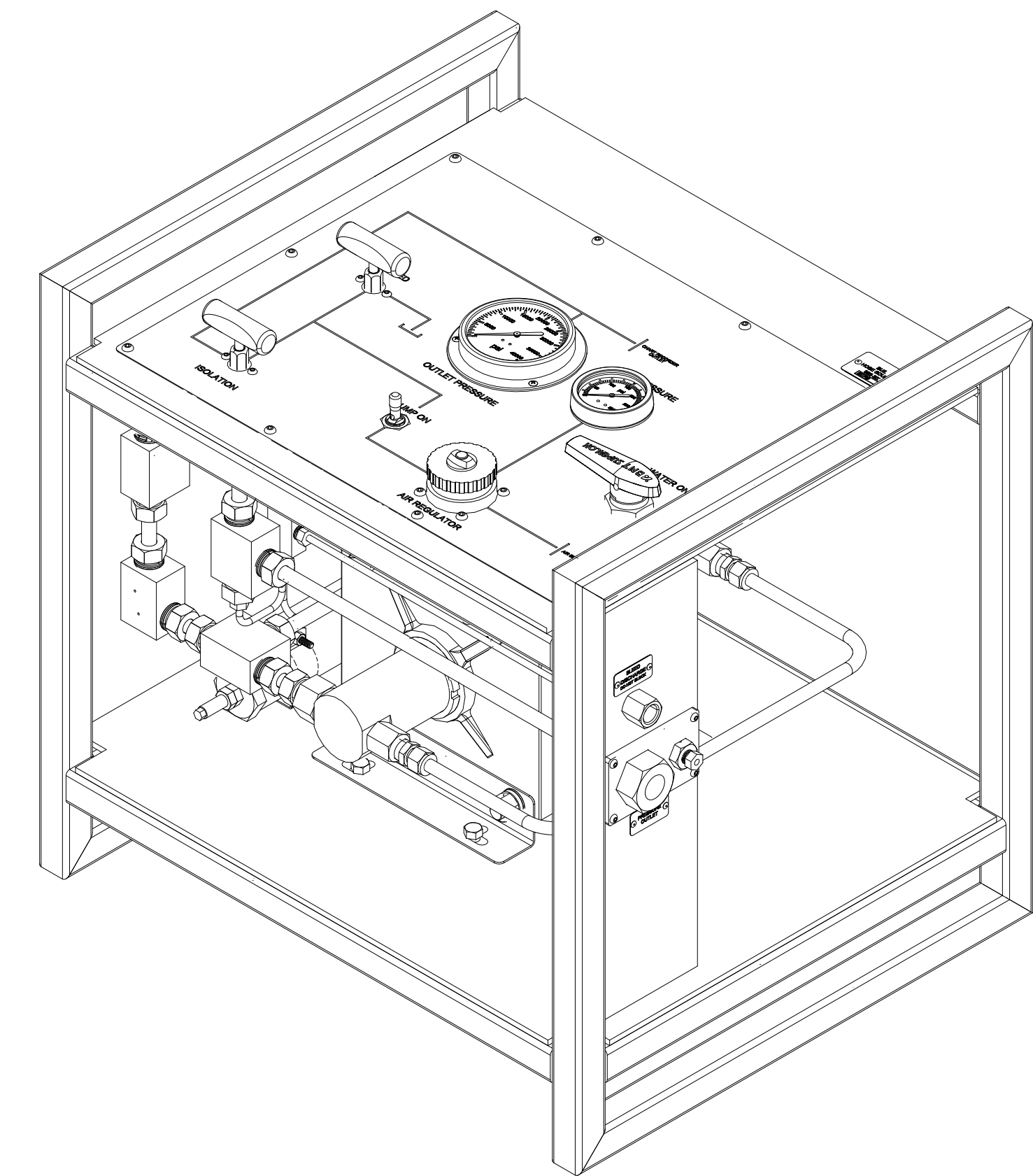
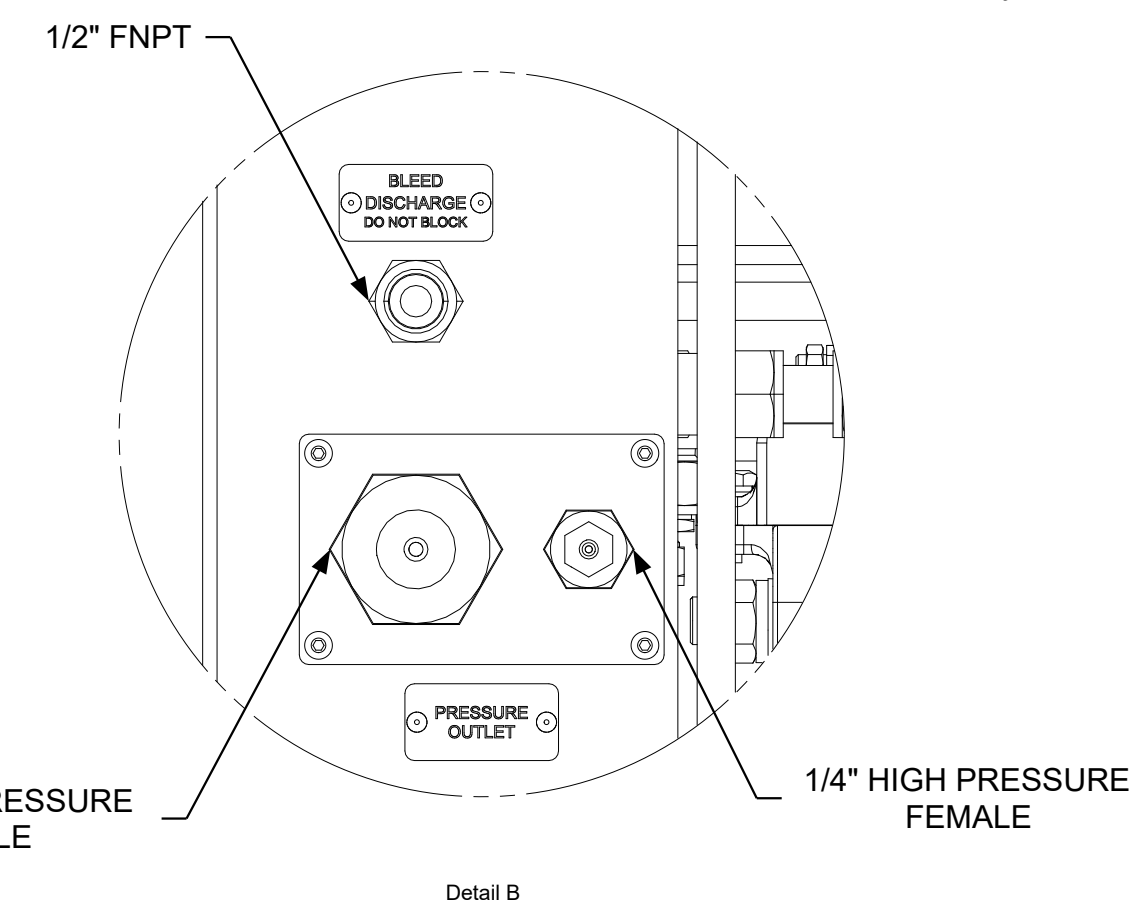
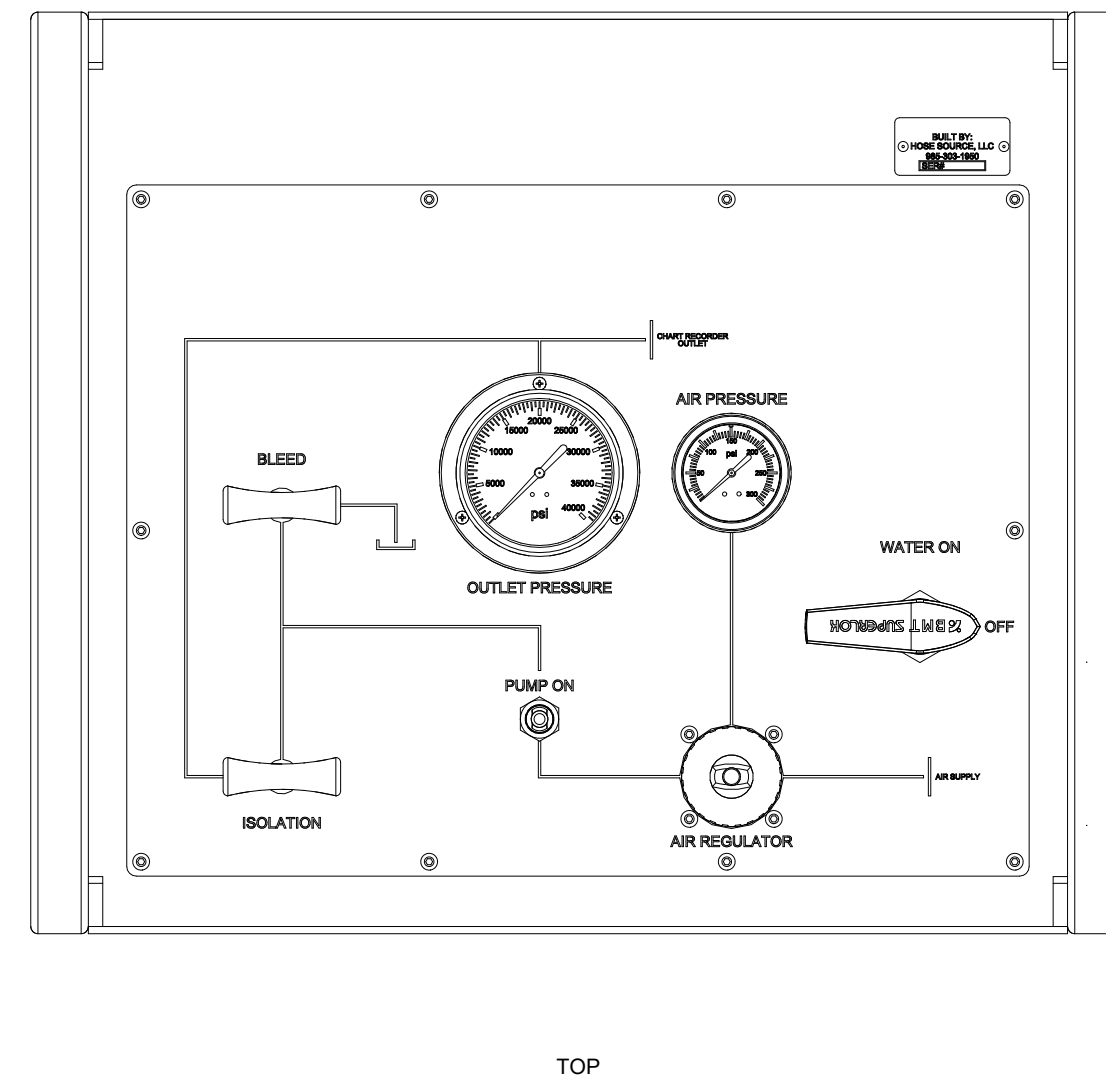
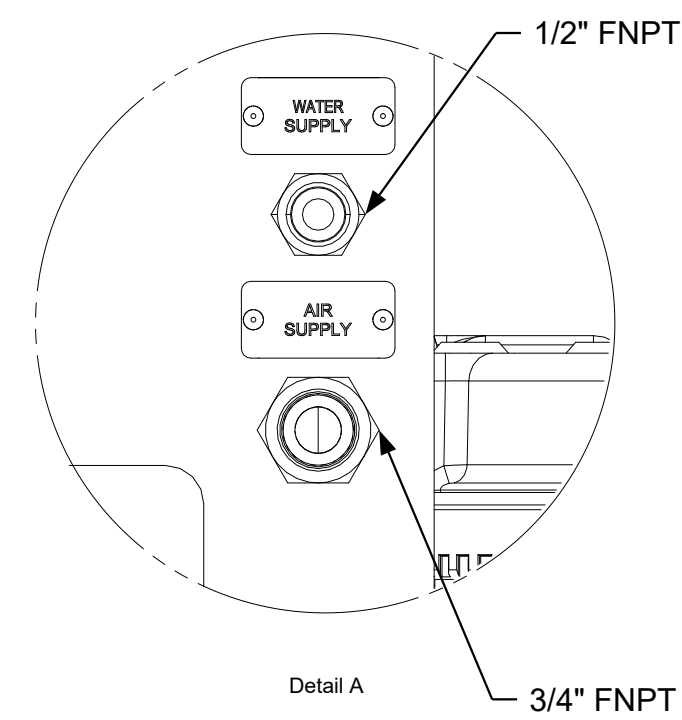


DESCRIPTION:

30,000 PSI PORTABLE TEST PUMP SYSTEM



213 Trinity Ln
Gray, LA 70359

TITLE			
HS-30K-PTP-03			
SIZE	DRAWING BY:	K. GILES	REV
D			0
SCALE	EDIT	SHEET 1 OF 1	REV DATE: