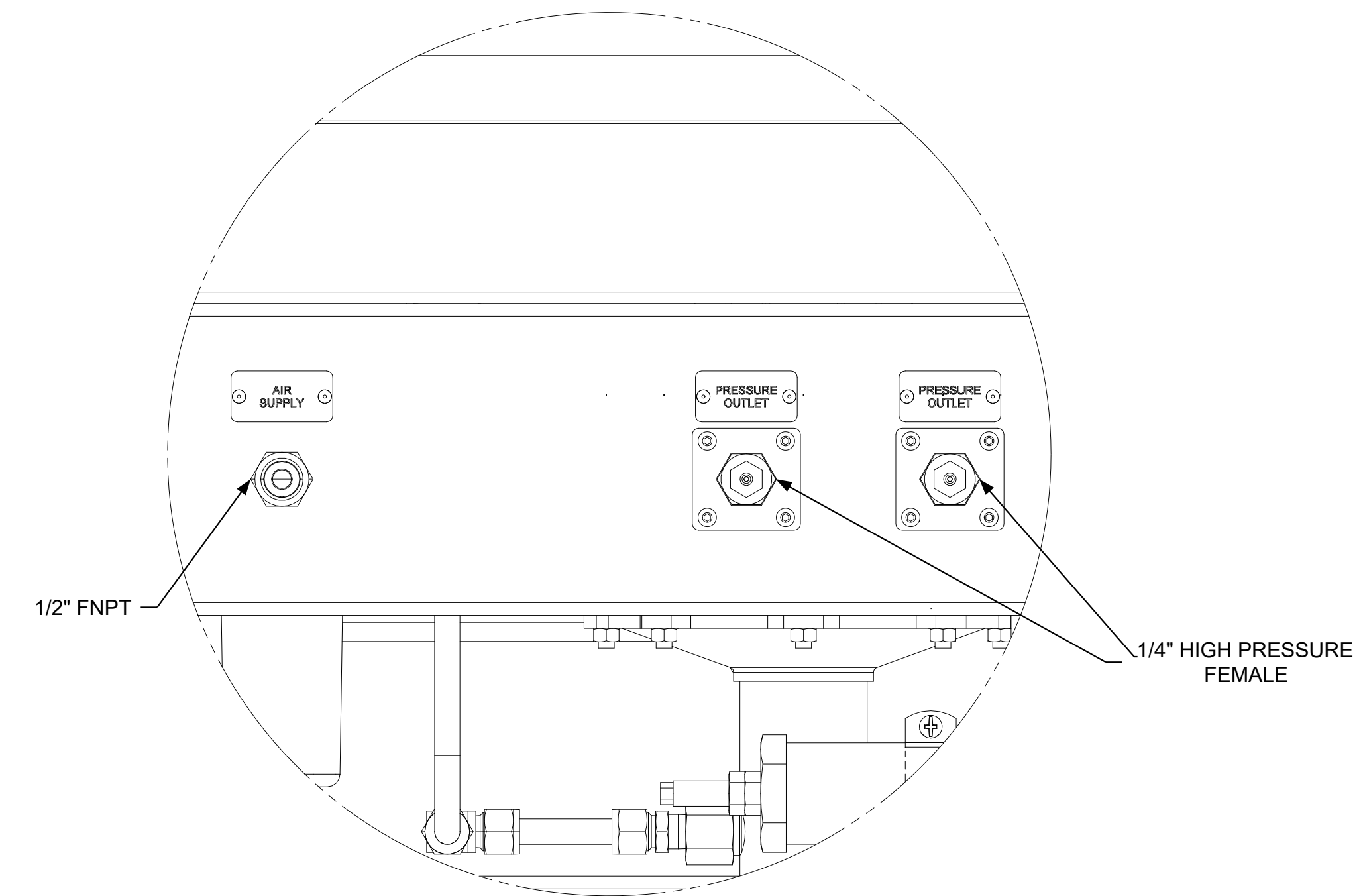
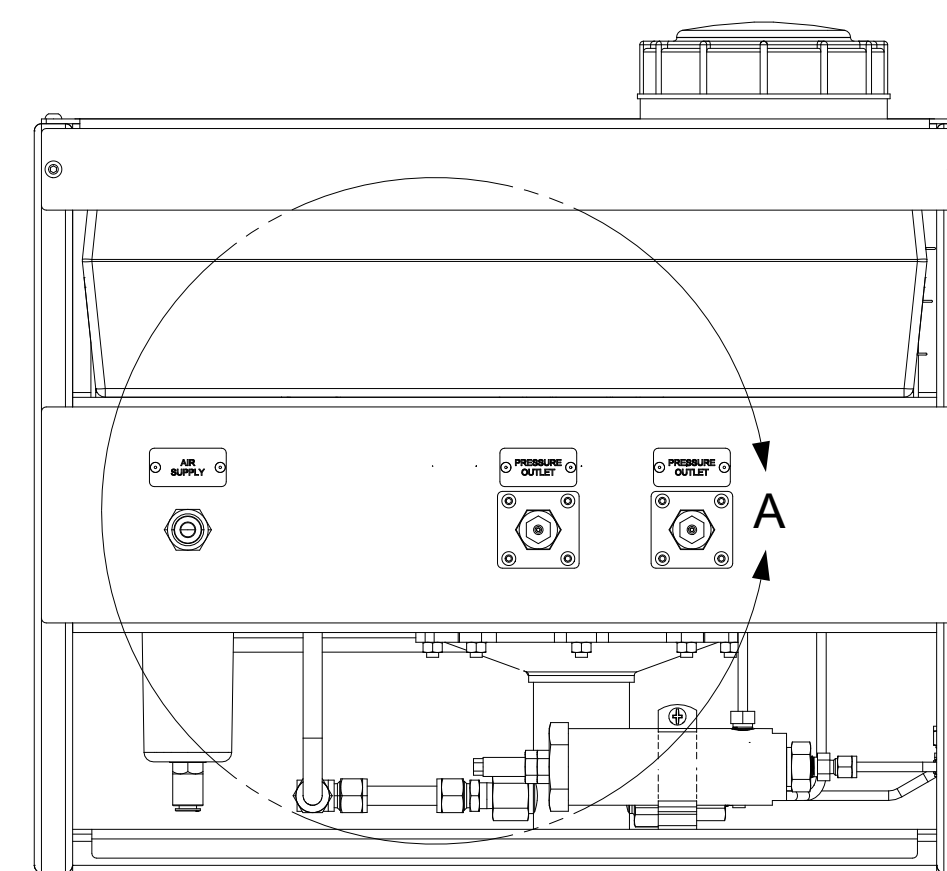
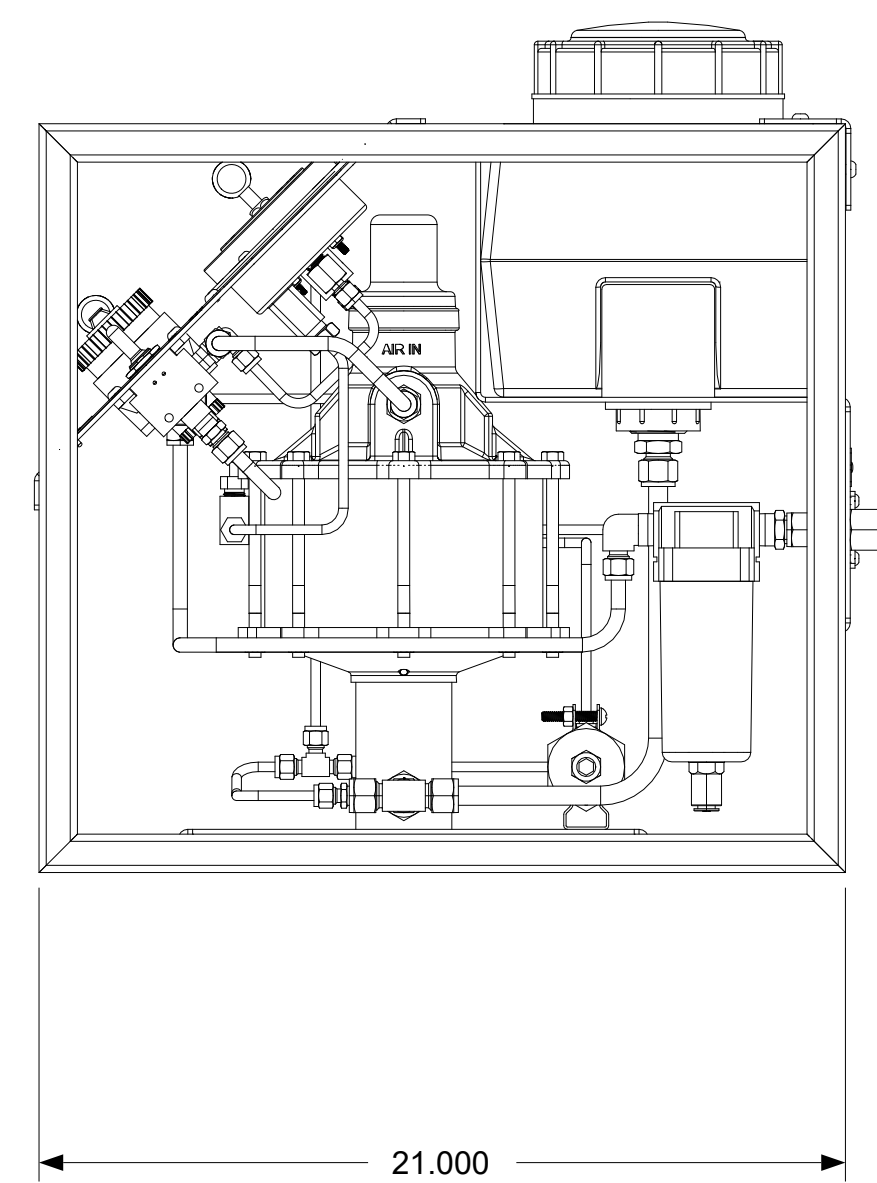
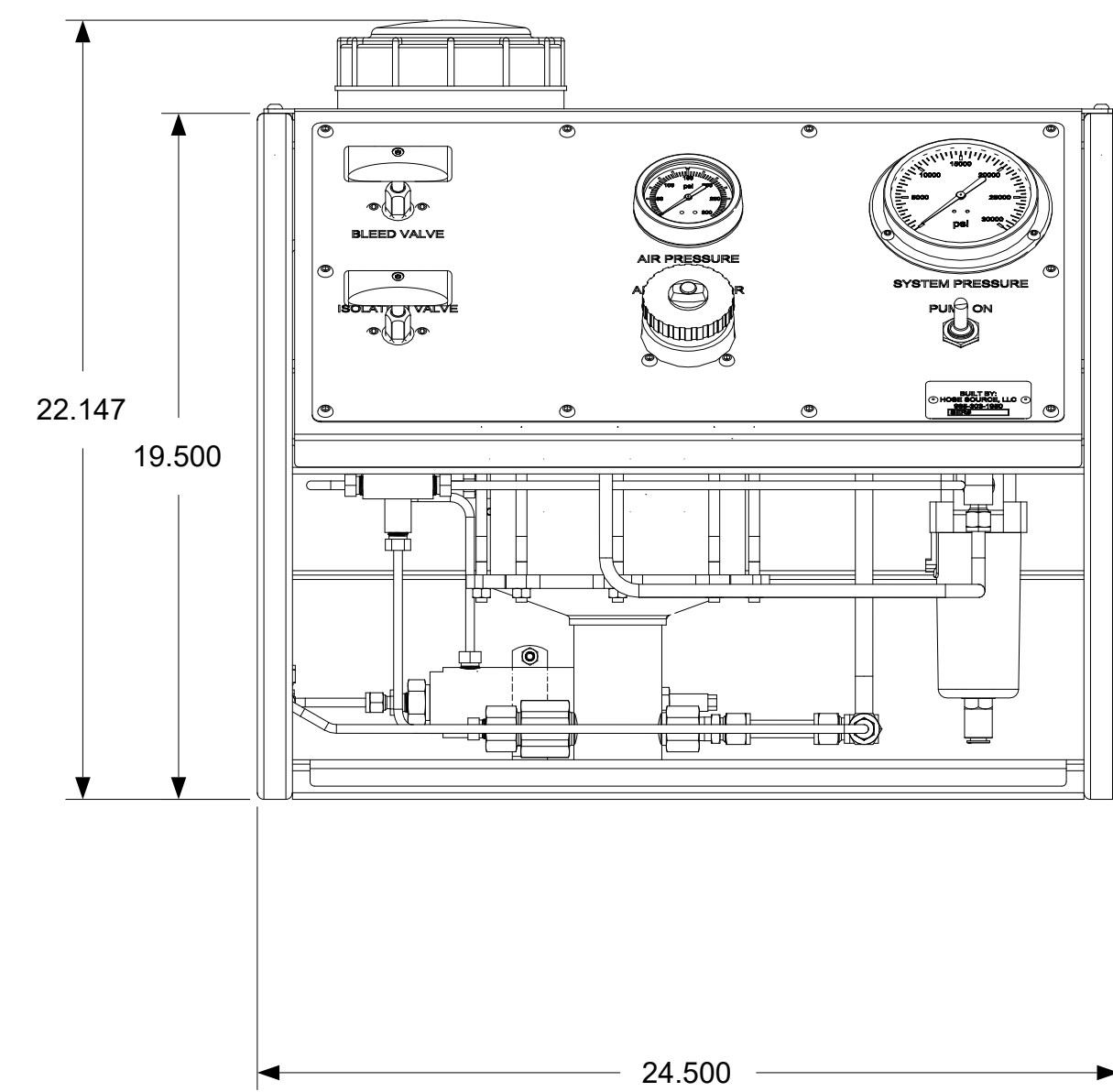
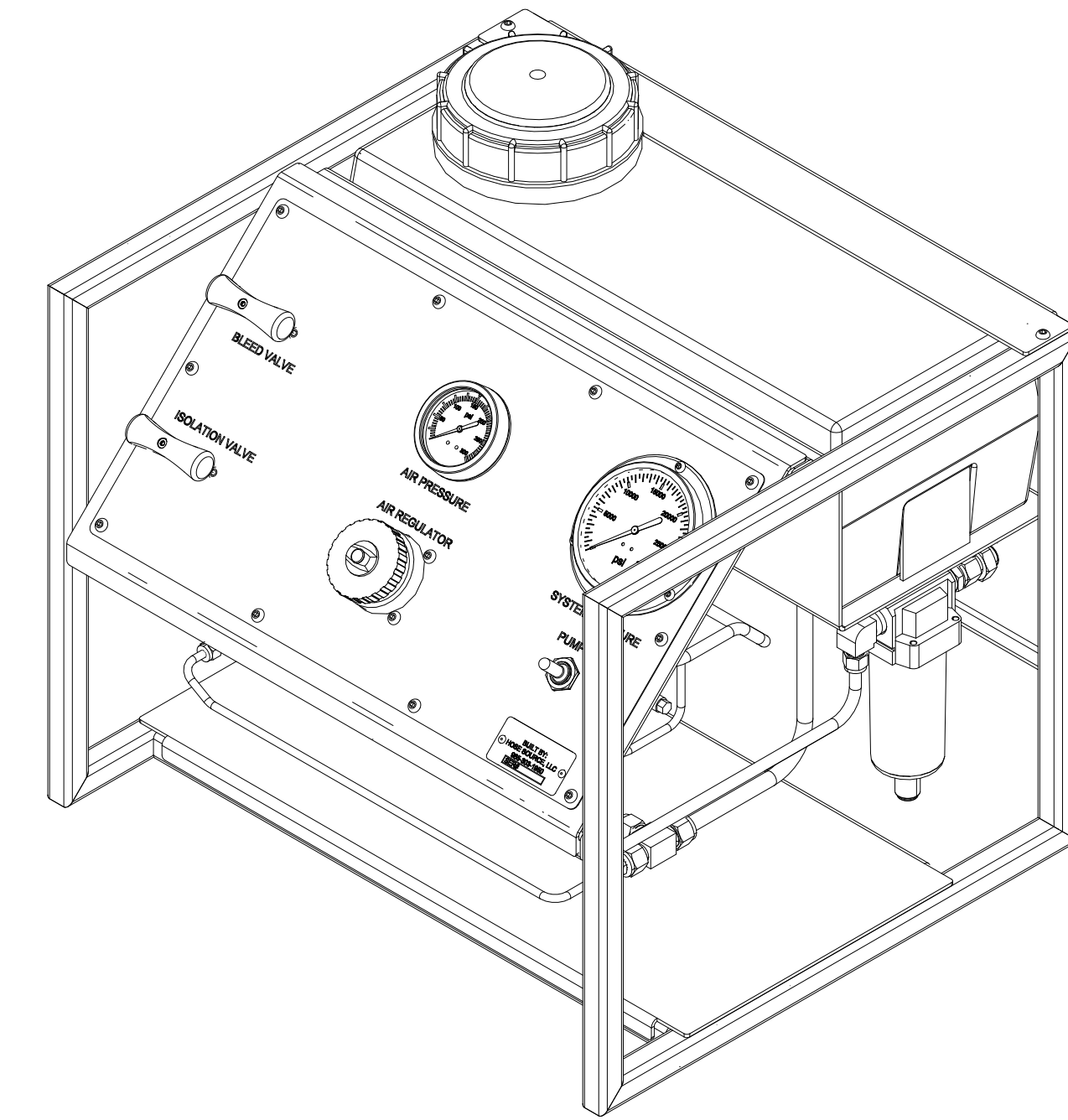


DESCRIPTION:

30,000 PSI PORTABLE TEST PUMP SYSTEM



Detail A



213 Trinity Ln
Gray, LA 70359

TITLE
HS-30K-PTP-04

SIZE D	DRAWING BY: K. GILES	REV 0
SCALE EDIT	SHEET 1 OF 1	REV DATE: 04/20/22