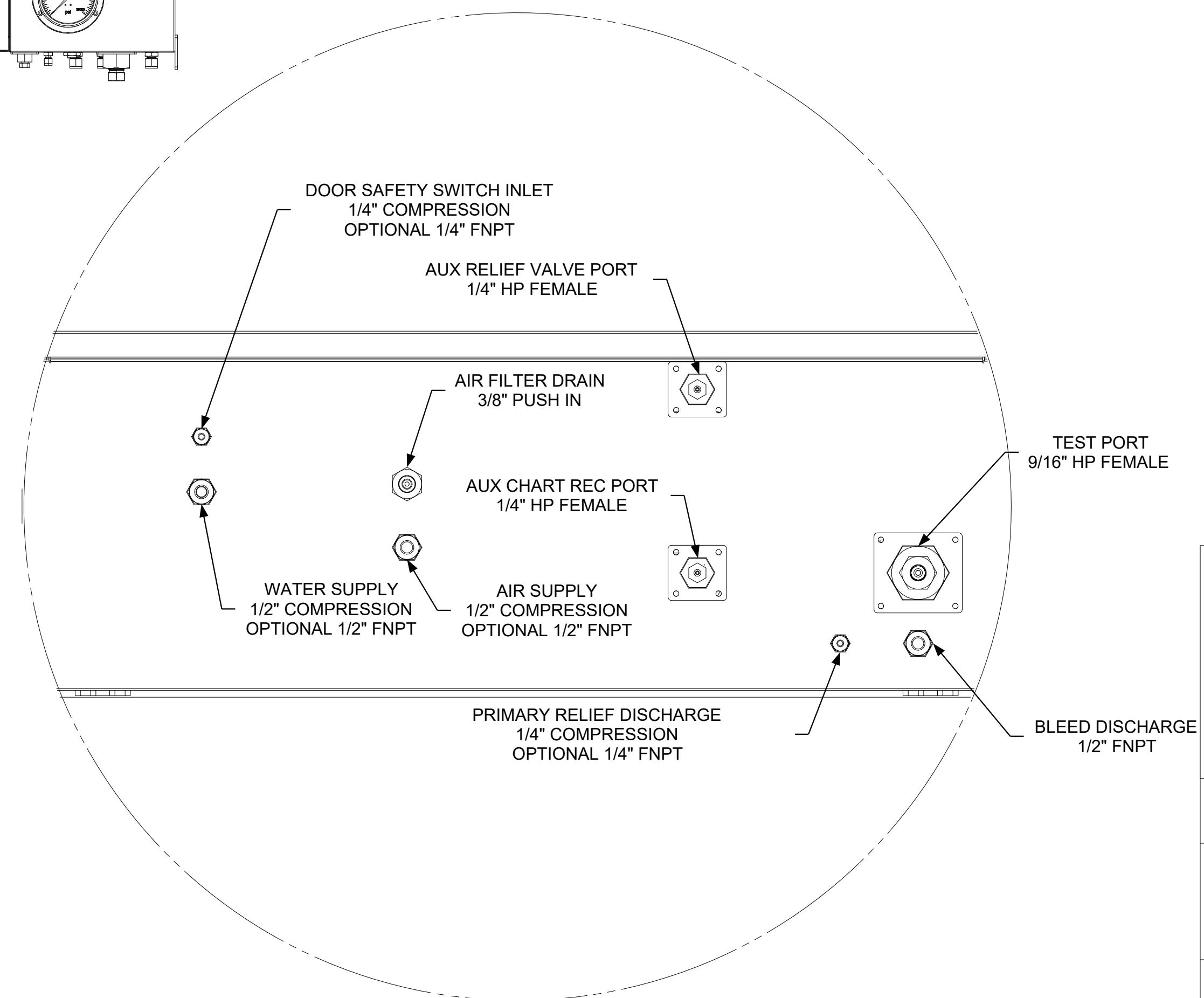
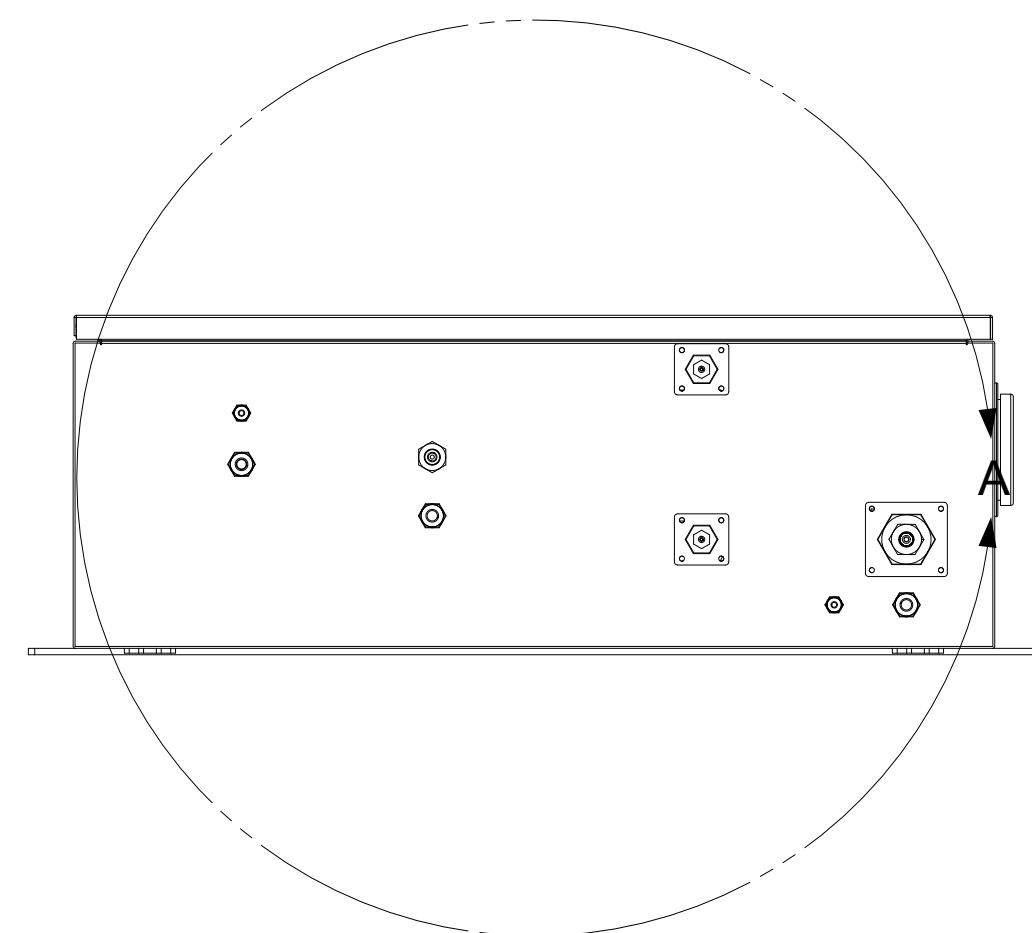
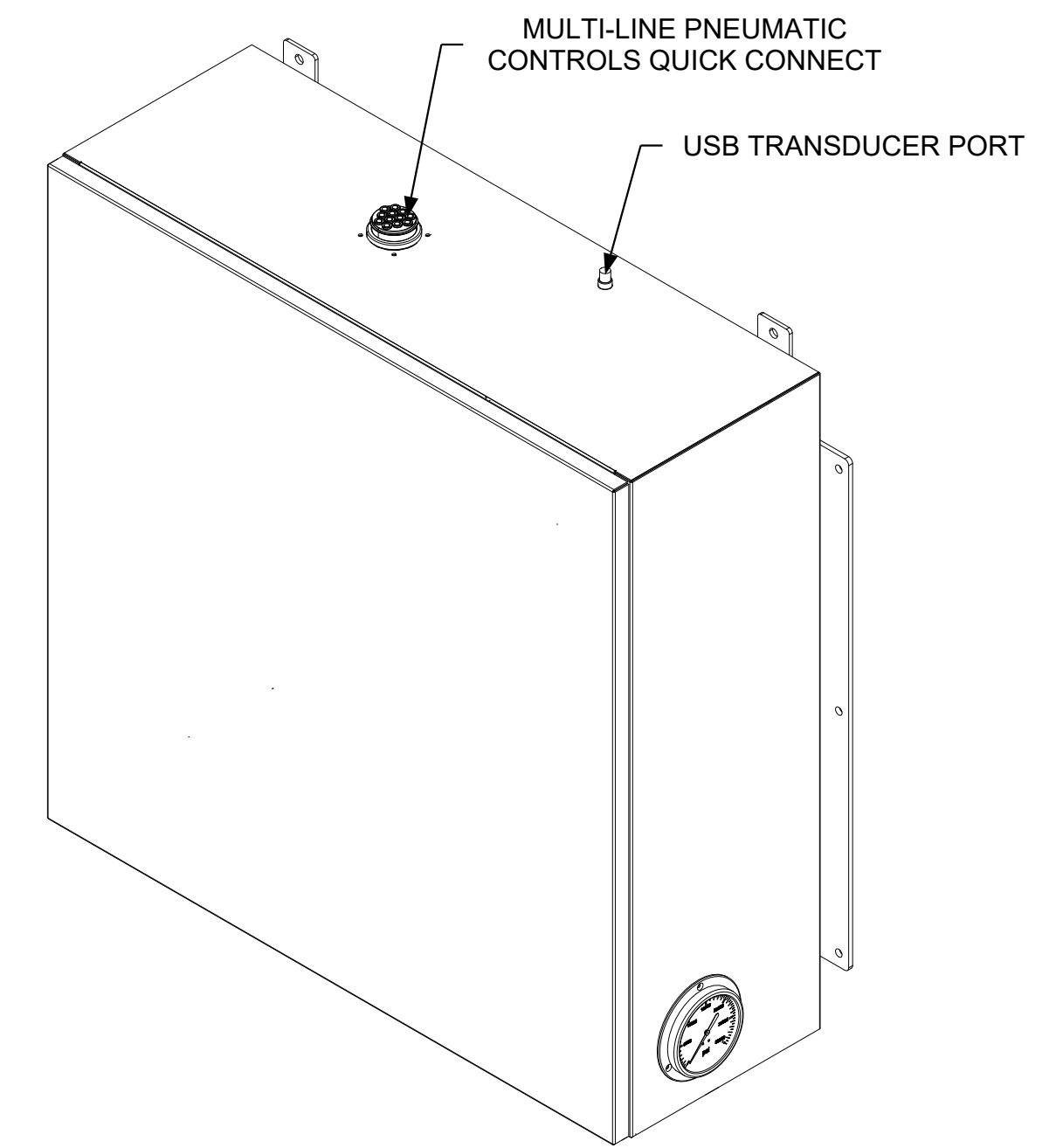
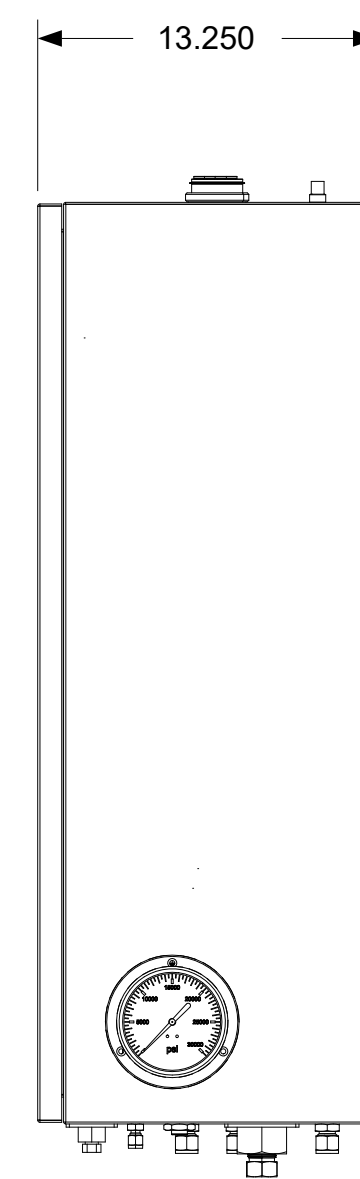
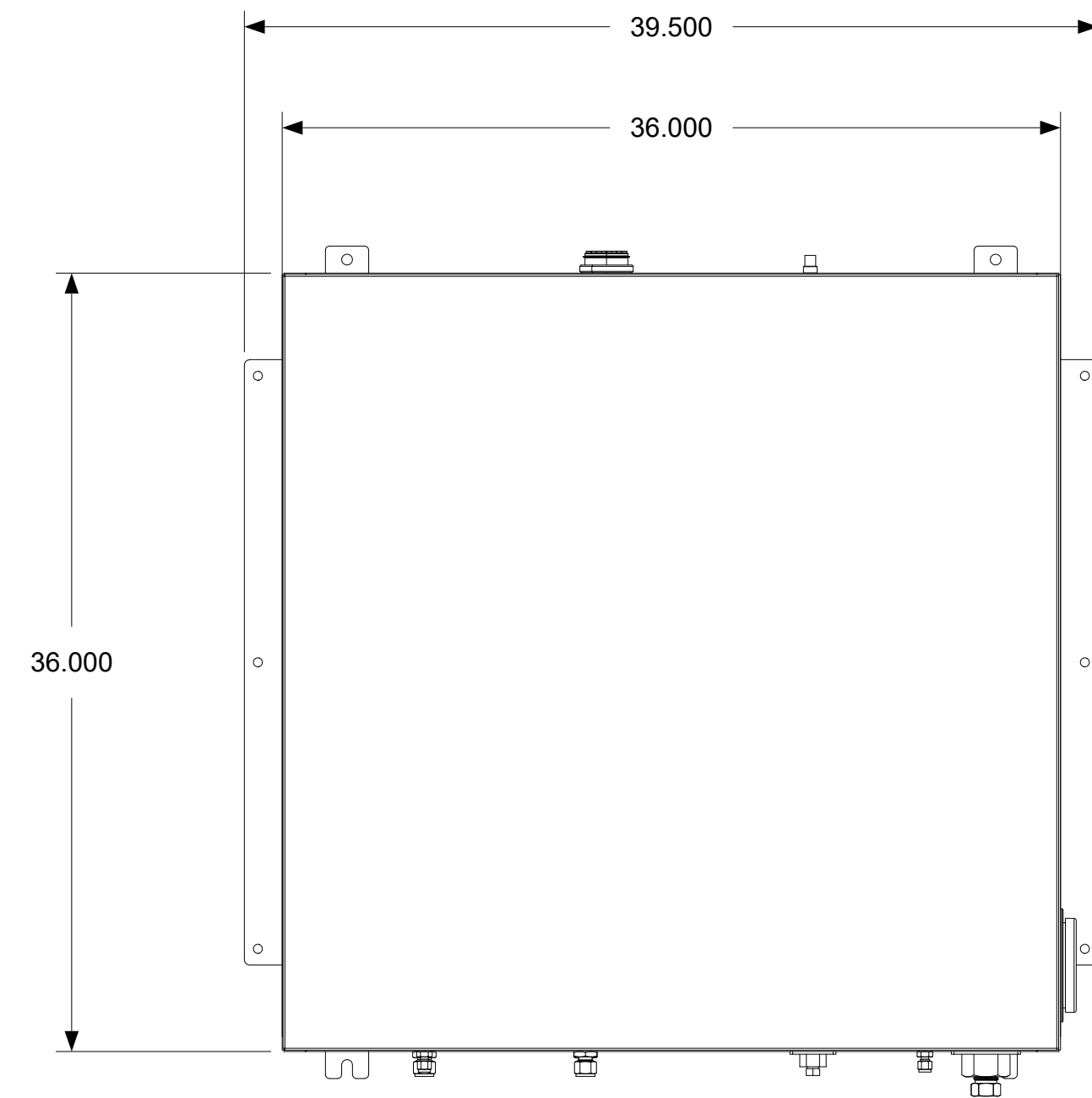


DESCRIPTION:

30,000 PSI WALL MOUNT TEST BAY PUMP BOX

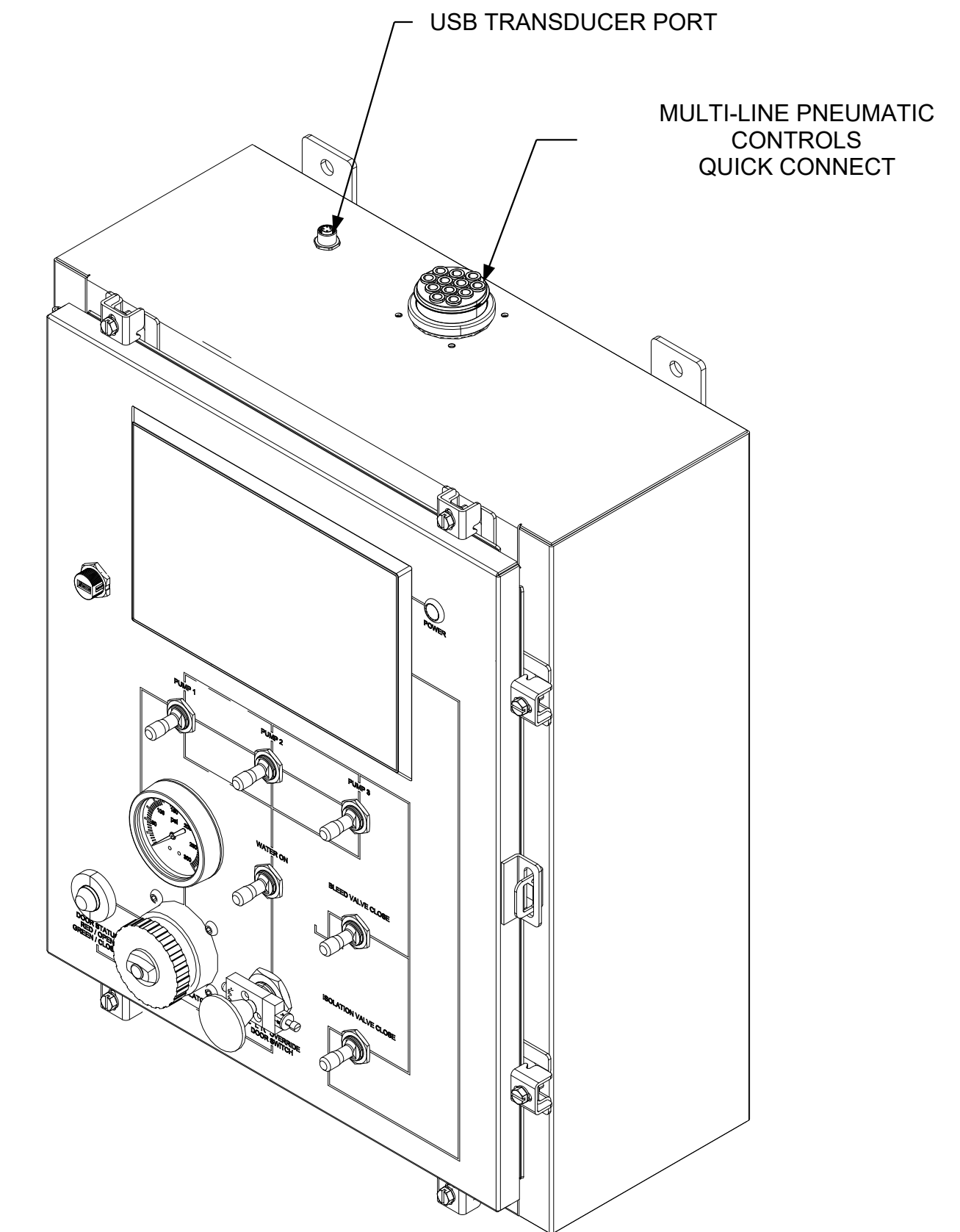
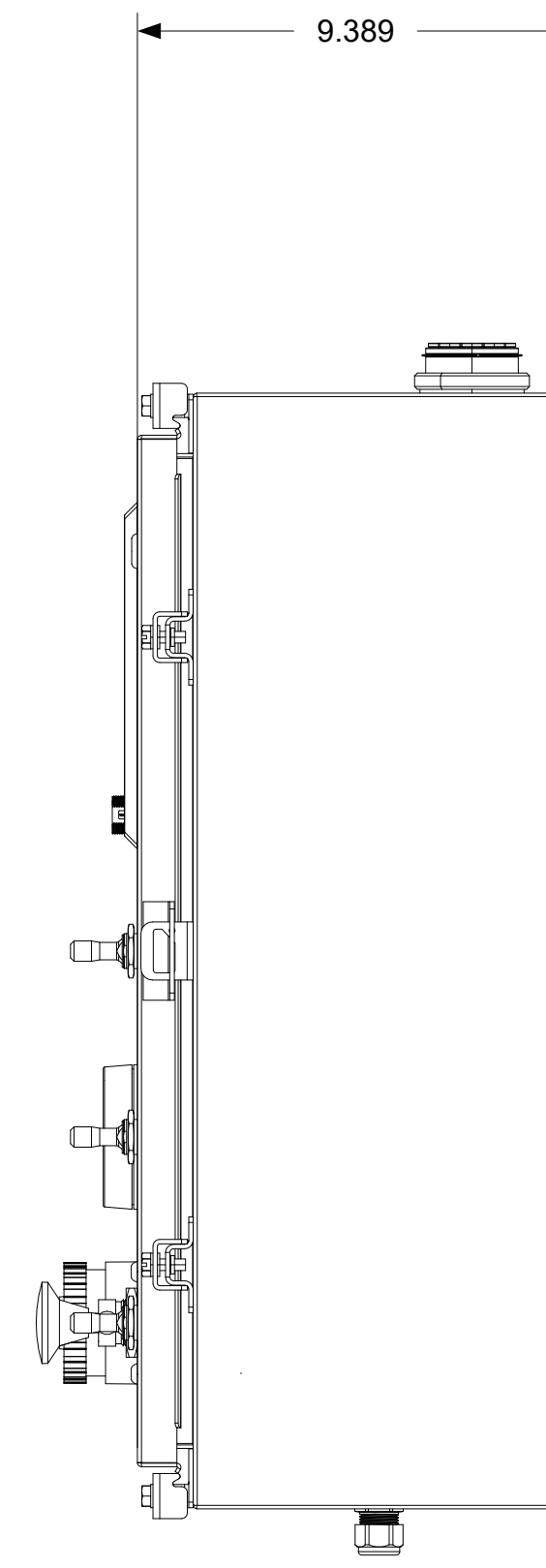
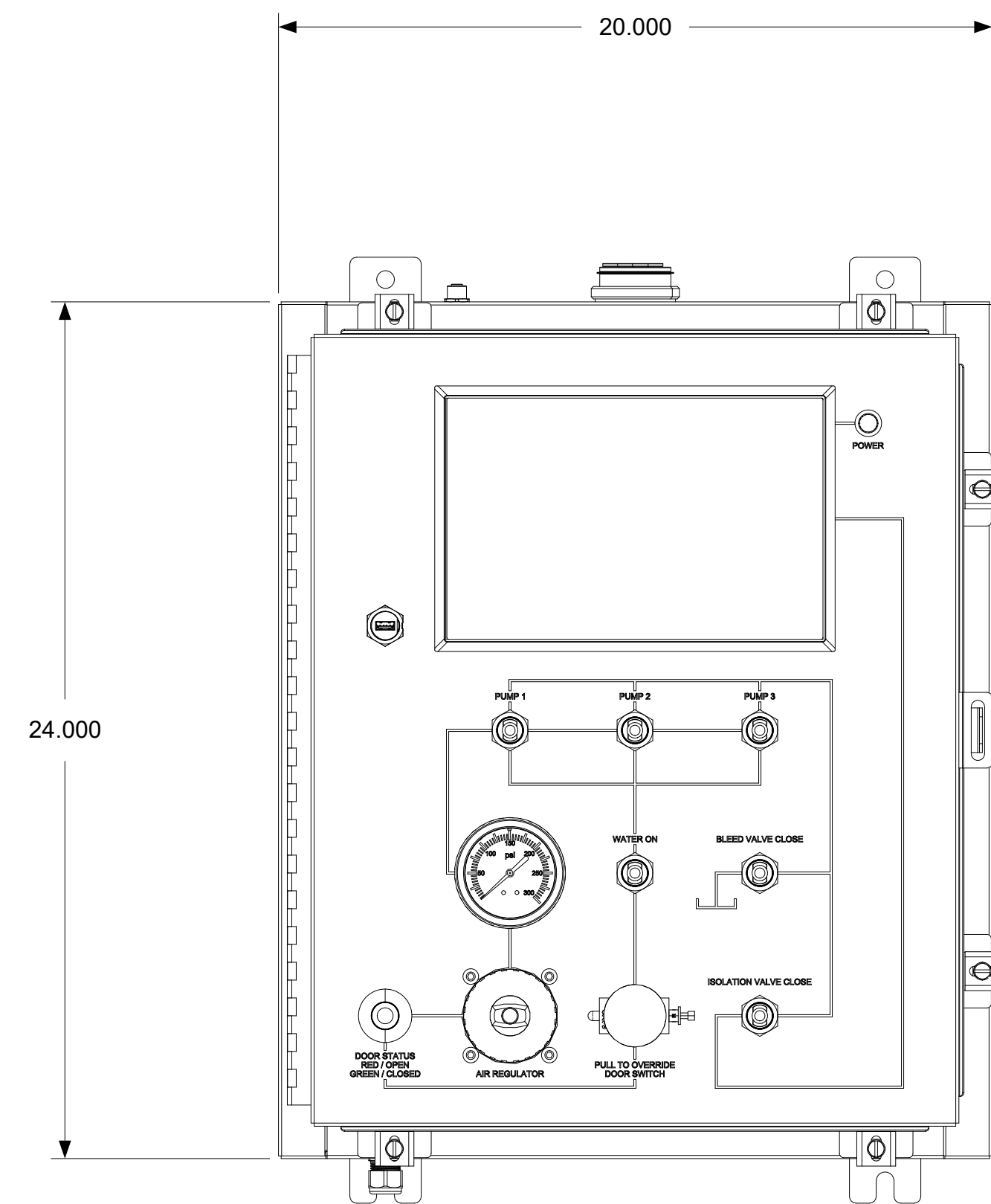


213 Trinity Ln
Gray, LA 70359

TITLE		HS-30K-TB-01	
SIZE	DRAWING BY:	K. GILES	REV
D			0
SCALE	EDIT	SHEET 1 OF 2	REV DATE:

DESCRIPTION:

30,000 PSI WALL MOUNT TEST BAY CONTROL PANEL



213 Trinity Ln
Gray, LA 70359

TITLE

HS-30K-TB-01

SIZE	DRAWING BY:	K. GILES	REV
D			0
SCALE	EDIT	SHEET 2 OF 2	REV DATE: