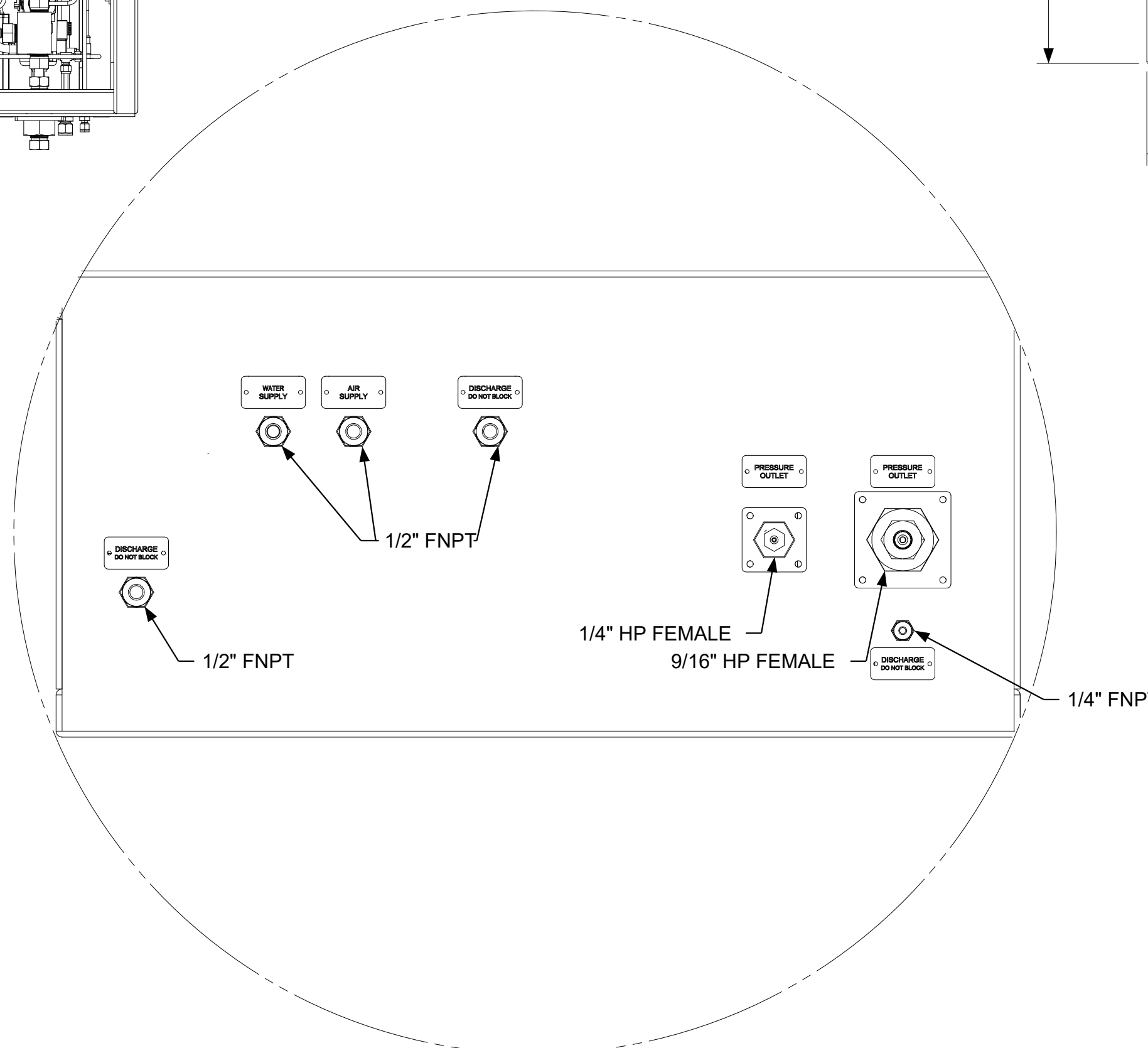
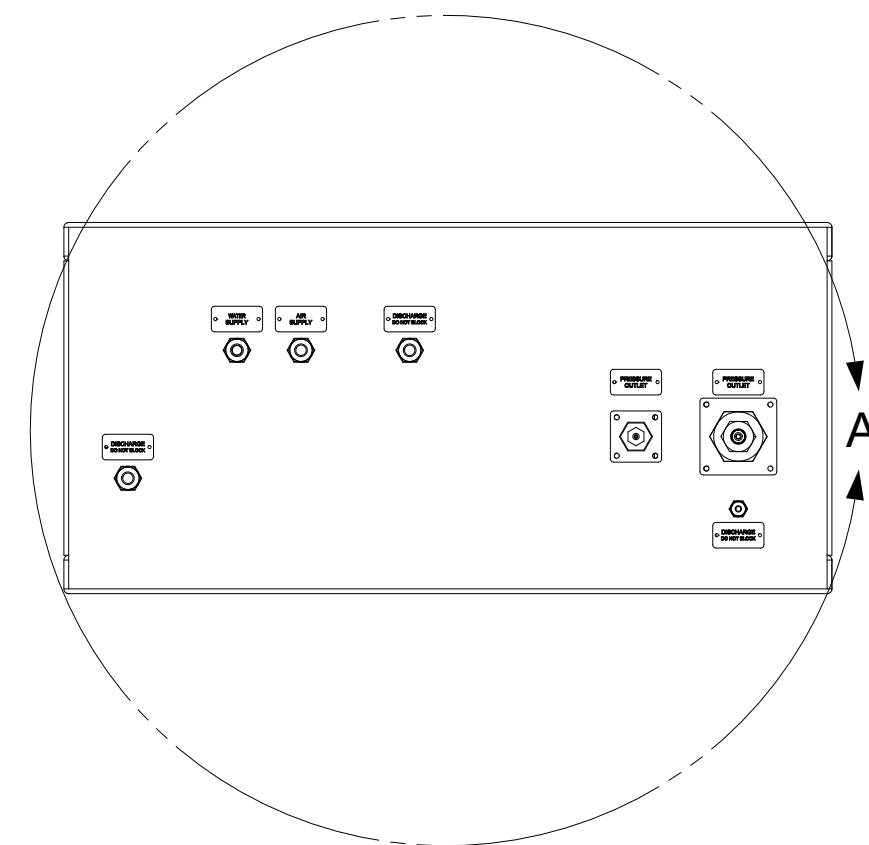
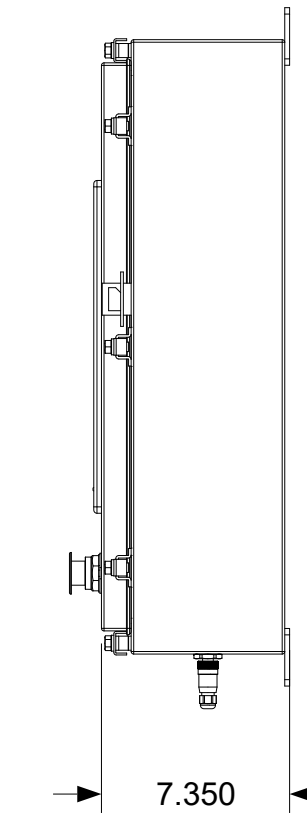
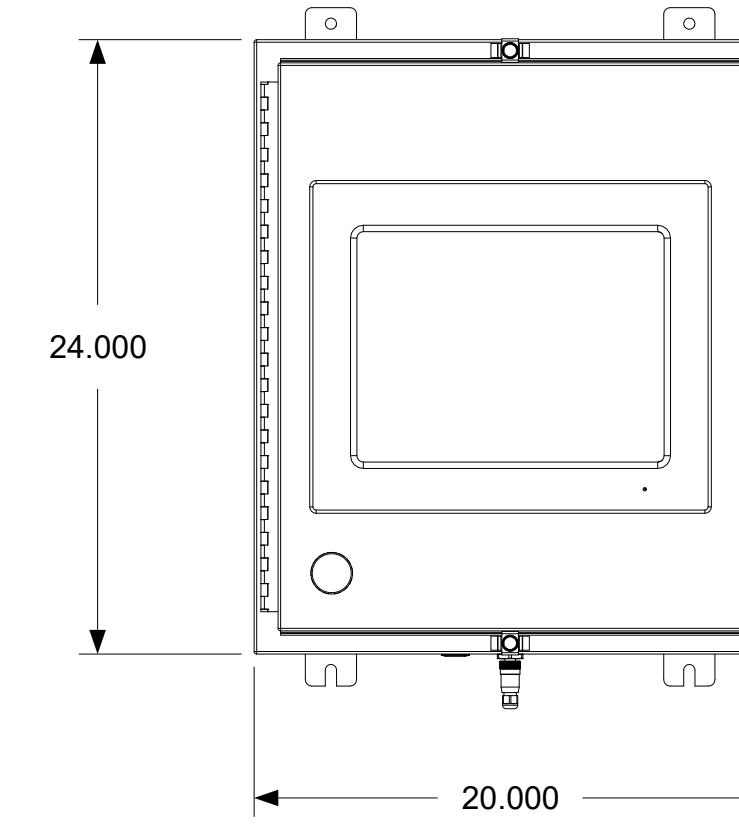
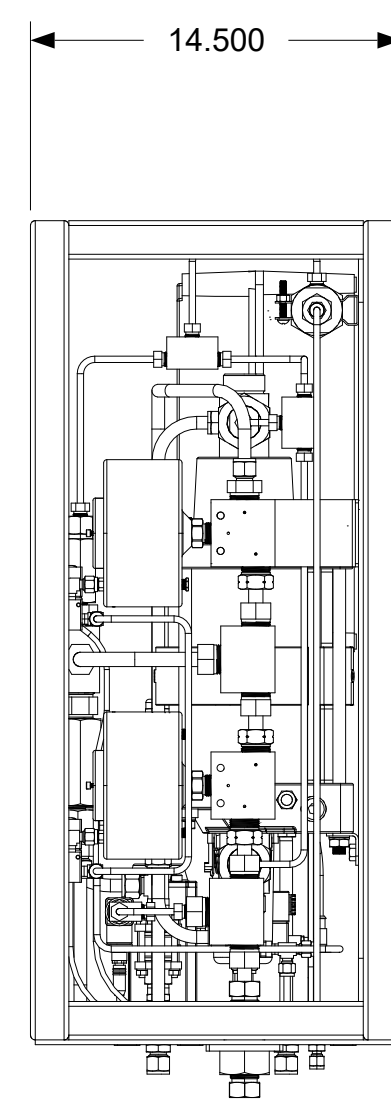
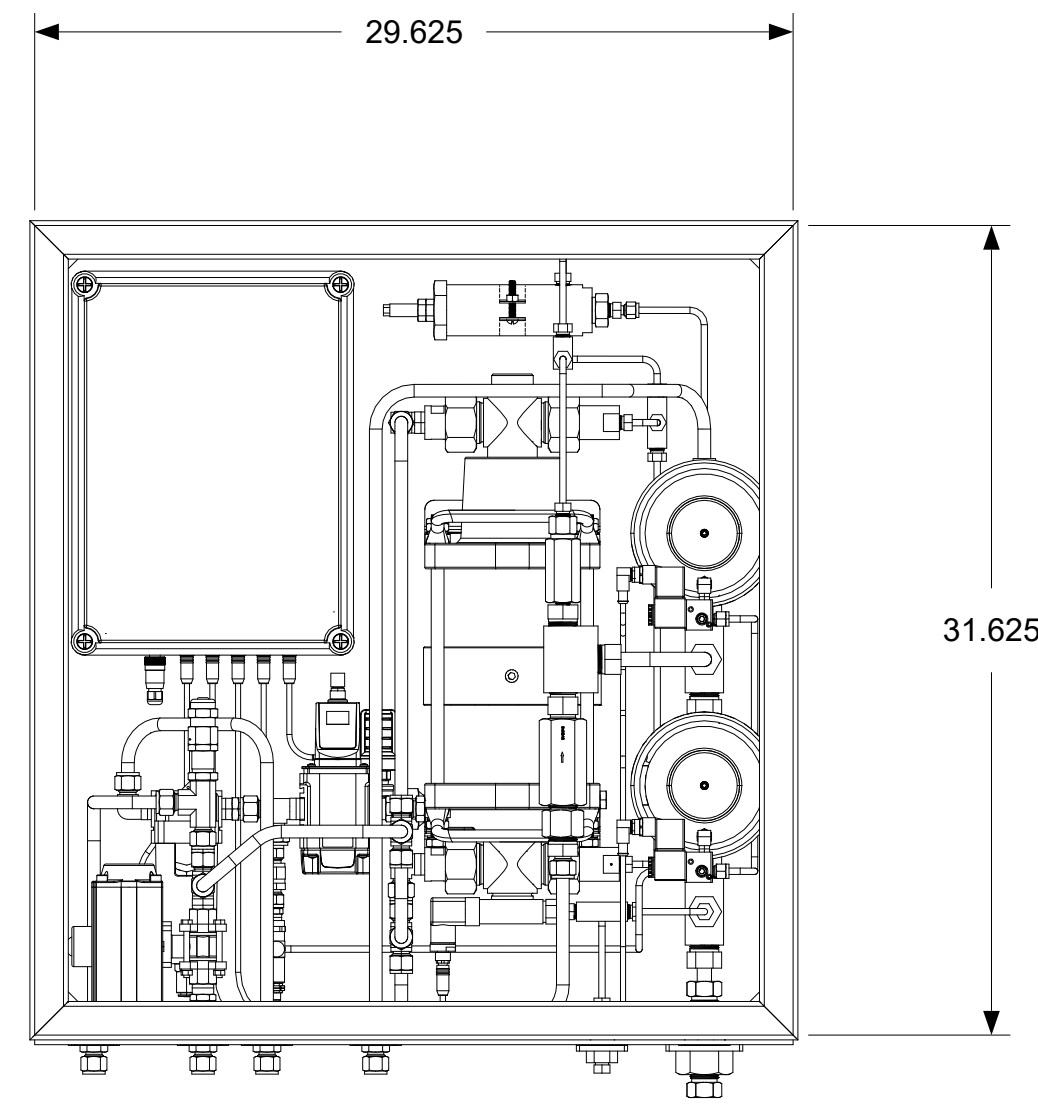
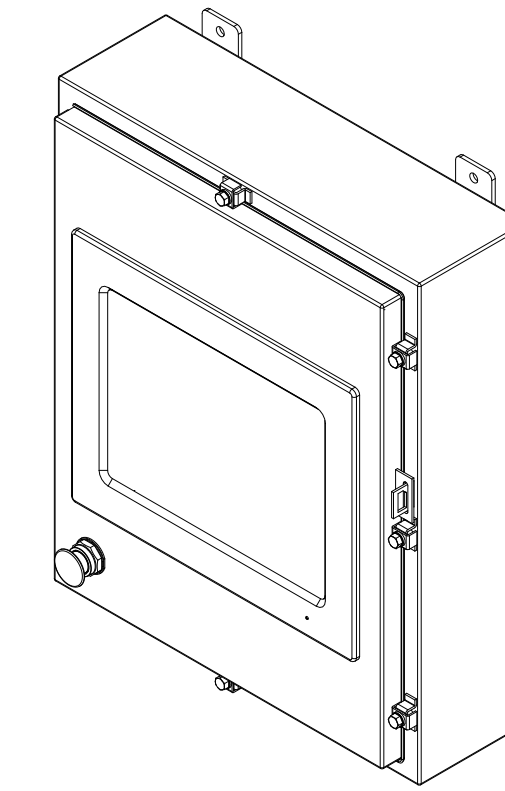
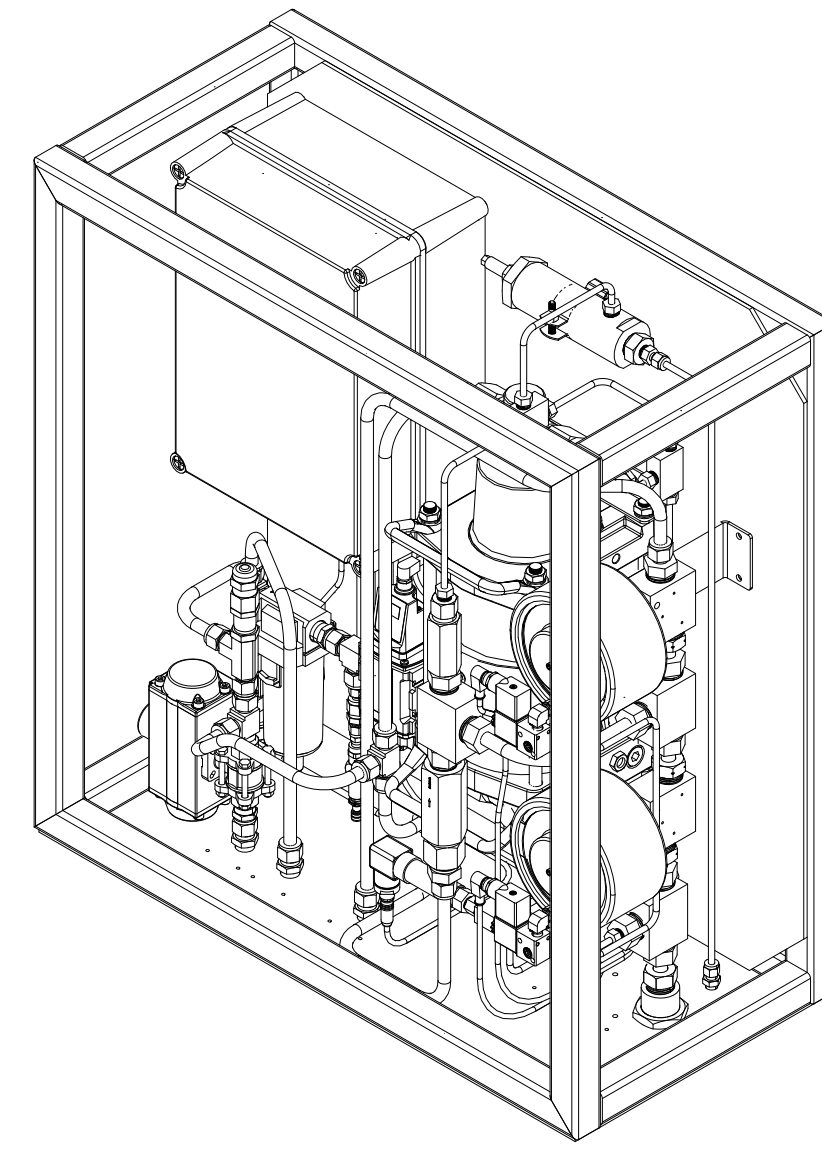


DESCRIPTION:

40,000 PSI PLC AUTOMATED TEST BAY SYSTEM



213 Trinity Ln  
Gray, LA 70359

TITLE			
HS-40K-PLC-01			
SIZE	DRAWING BY:	K. GILES	REV
D			0
SCALE	EDIT	SHEET 1 OF 1	REV DATE: