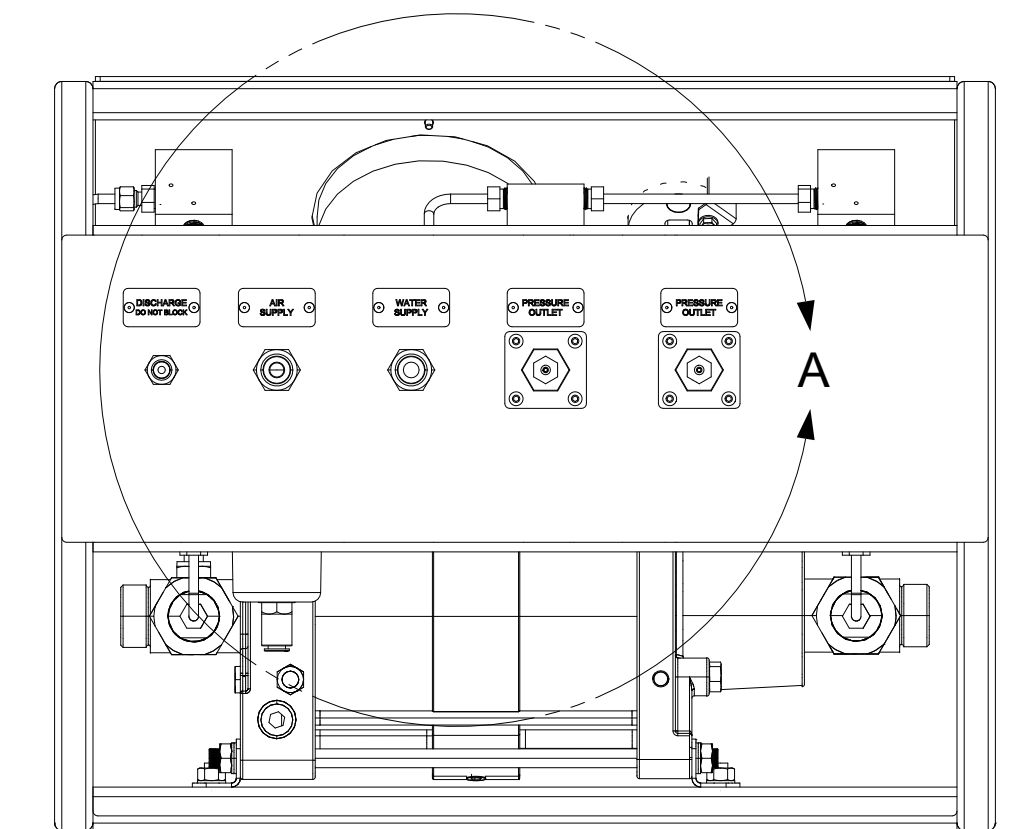
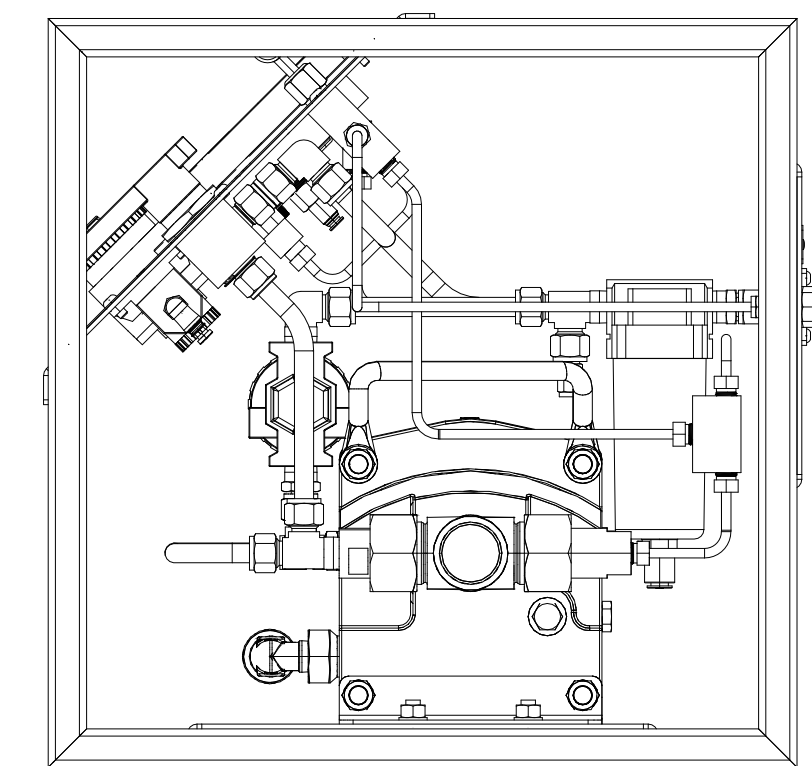
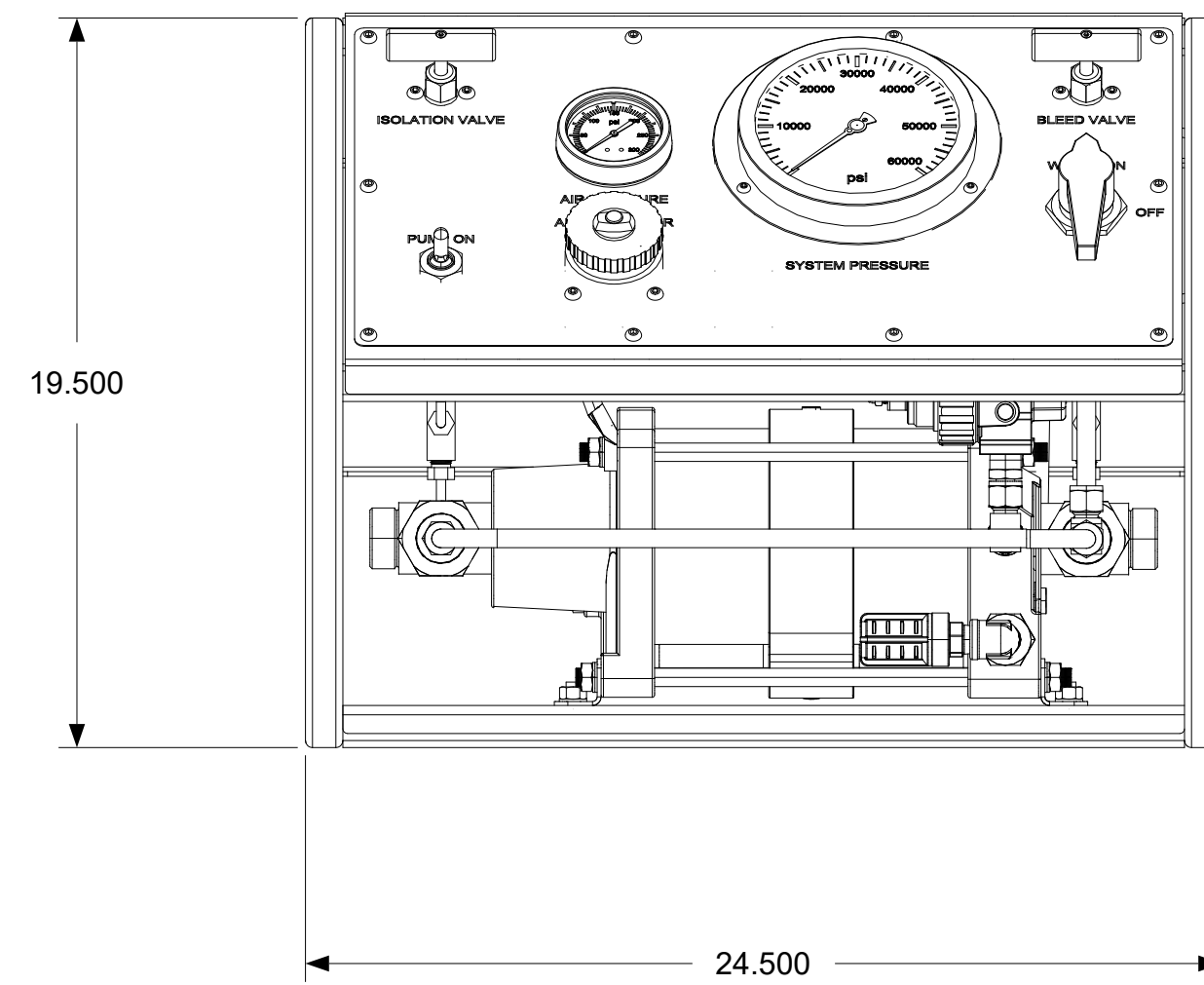
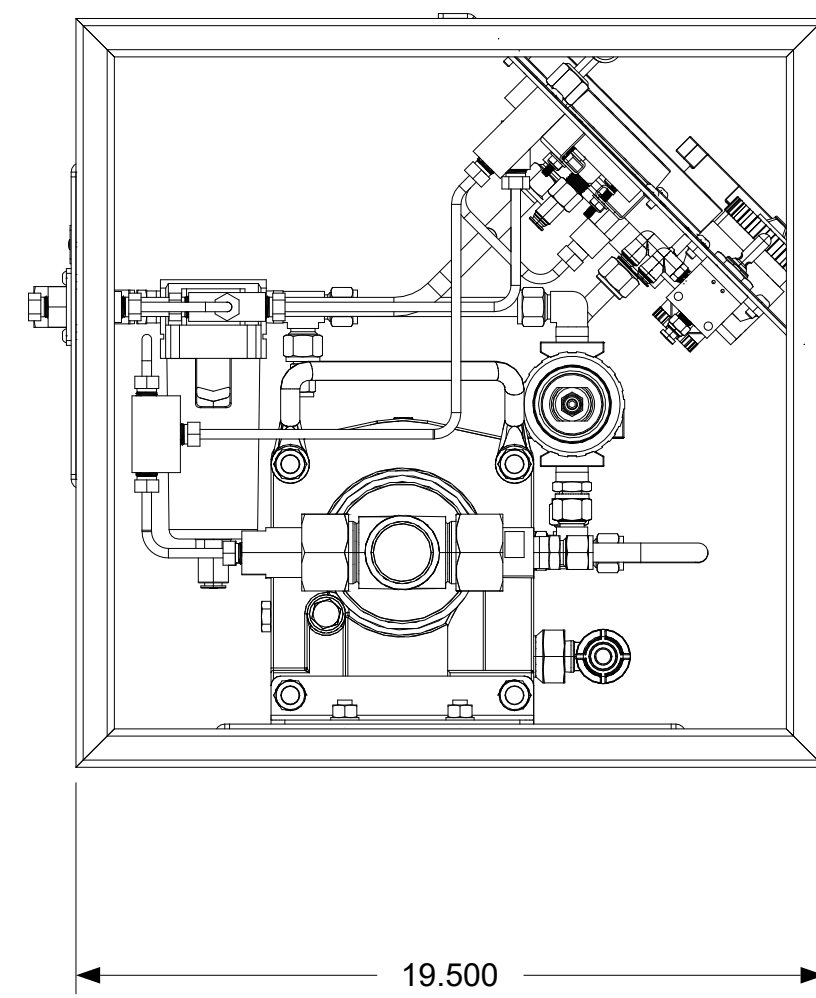
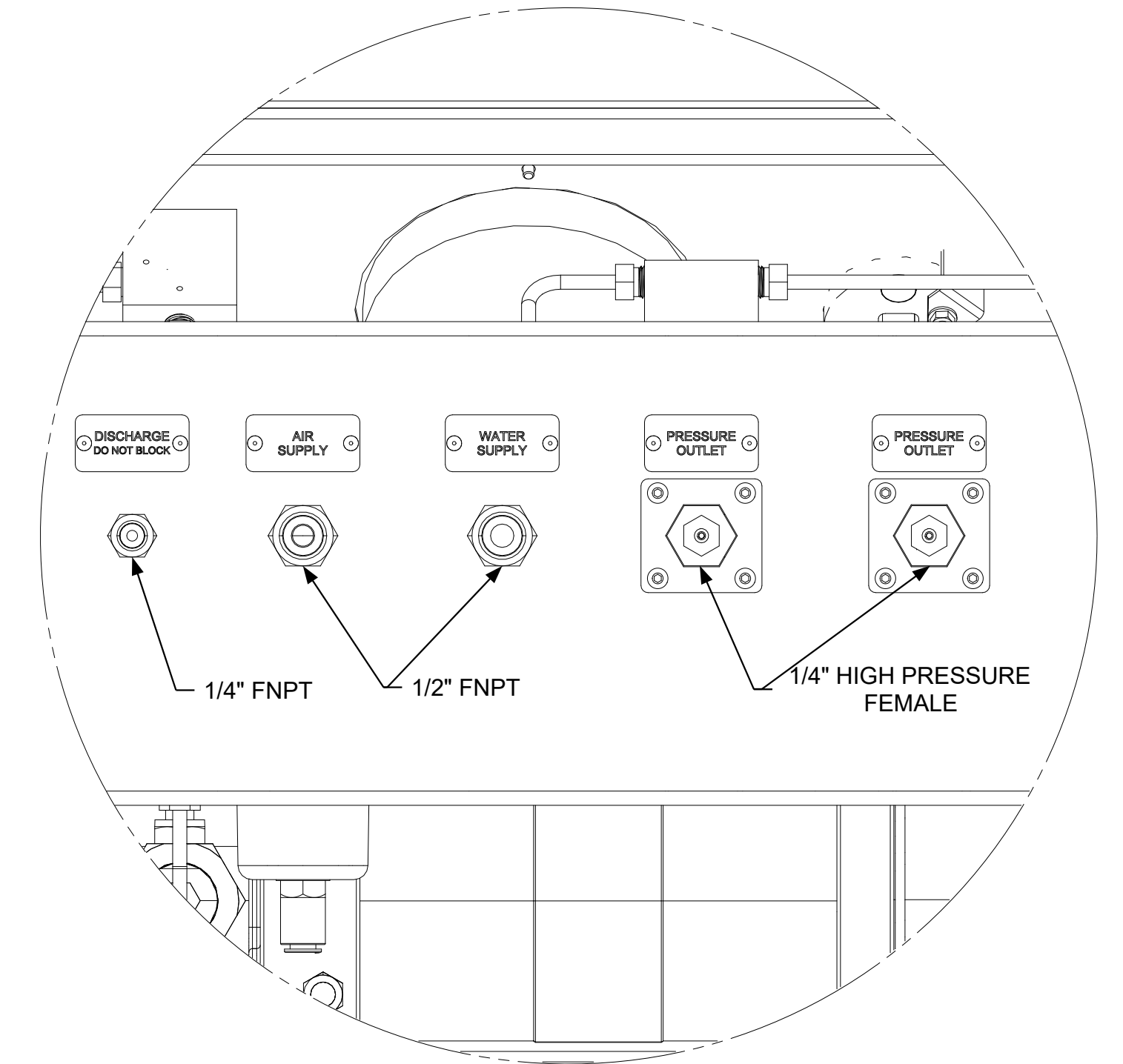
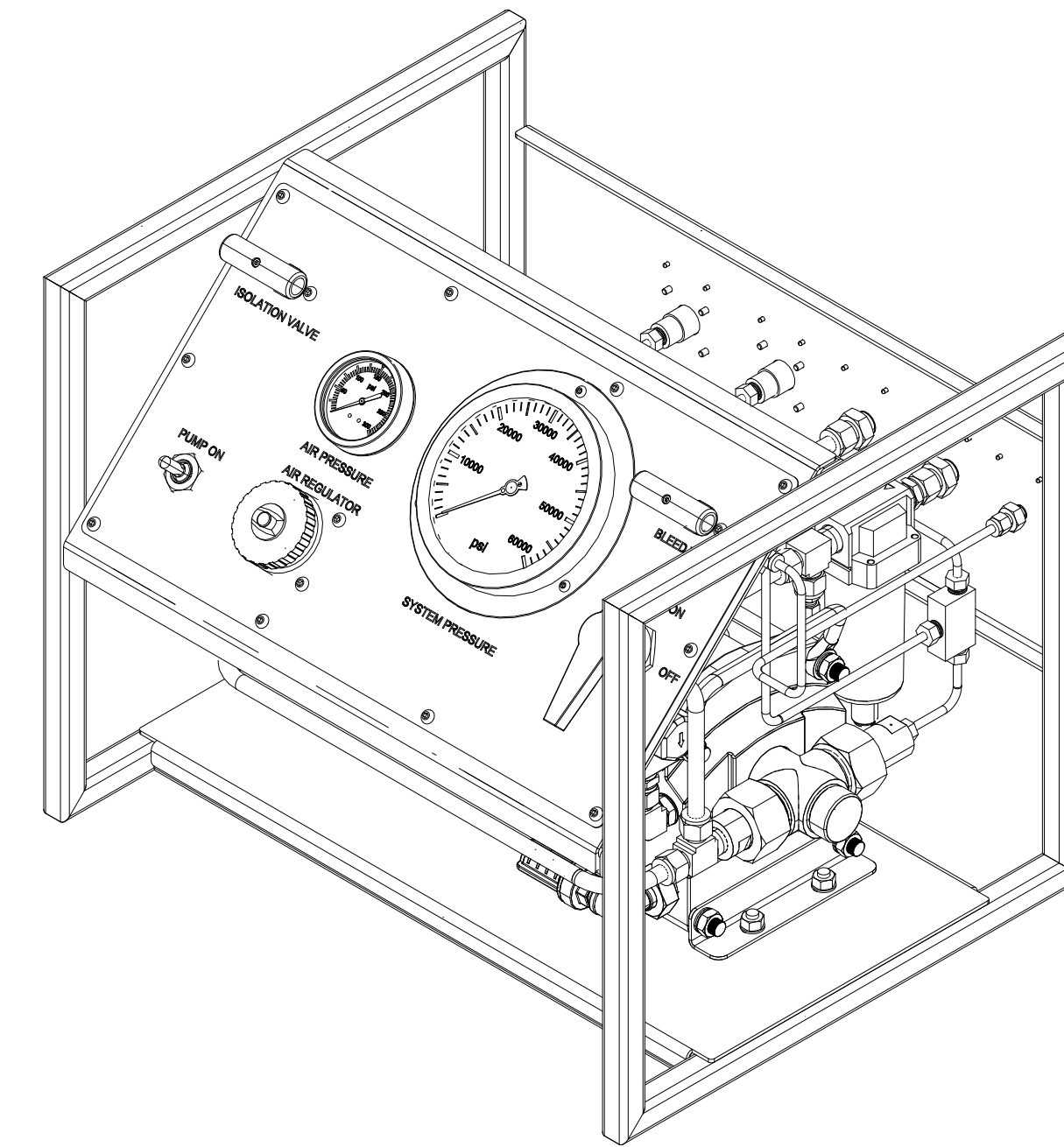


DESCRIPTION:

60,000 PSI PORTABLE HYDROSTATIC TEST PUMP



213 Trinity Ln  
Gray, LA 70359

TITLE

HS-60K-PTP-01

SIZE	DRAWING BY:	K. GILES	REV
D			0
SCALE	EDIT	SHEET 1 OF 1	REV DATE: