



# IMPUMPMS<sup>®</sup>

Intelligent Motor Pumps

[www.imp-pumps.com](http://www.imp-pumps.com)



## NMT PUMPS

*Electronically controlled high-efficiency pumps  
for heating, air conditioning, cooling and sanitary water*



## INDEX

ErP REGULATION	PAGE 2
ABOUT THE COMPANY	PAGE 3
ABOUT PRODUCTS	PAGE 4
<b>HIGH-EFFICIENCY PUMPS</b>	
NMT MINI	PAGE 5
DISPLAY OPERATION	PAGE 19
COMMUNICATION MODULE	PAGE 20
NMT SMART	PAGE 21
NMT MAX	PAGE 29
<b>SANITARY WATER PUMPS</b>	
SAN	PAGE 38
SAN ECO PRO	PAGE 40
SANbasic II	PAGE 42
<b>THE HOME PRESSURE BOOSTER</b>	
NMT PLUS COMFORT	PAGE 43

## ErP REGULATION

ErP Regulation (Energy related Products) translates as energy-relevant products. The objective of this Regulation 2009 125 EC, is to reduce energy consumption according to the environmental requirements that are being introduced in the EU in the field of circulation pumps in 2013. In the course of the next seven years the Regulation will be put into practice in the following three steps:

- The first step from 01/08 in 2015 for the energy index up to (max.) 0.23 - Part 2
- The second step from 01/01/2020 for the energy index up to (max.) 0.23 - Part 2 – including pumps, which are being replaced in HVAC systems  
The benchmark for most efficient circulators is  $EEL \leq 0,15$  - Part 2.

The IMP PUMPS meet environmental requirements according to ErP regulation with high-efficiency pumps with affordable prices.

## GENERAL INFORMATION

ALL PRODUCTS AND COMPONENTS ARE MANUFACTURED FROM ENVIRONMENTALLY FRIENDLY MATERIALS.

UPON DISPOSAL INTERNAL ENVIRONMENTAL REGULATION MUST BE CONSIDERED.

FURTHER INFORMATION ON ALL PUMPING PROGRAMS WITH TECHNICAL DATA ARE AVAILABLE ON [WWW.IMP-PUMPS.COM](http://WWW.IMP-PUMPS.COM)

GENERAL SALES CONDITIONS AND TERMS OF PAYMENT – DEPENDING ON THE AGREEMENT WITH THE FIRM IMP PUMPS.

IMAGES IN CATALOGUE ARE FOR ILLUSTRATIVE PURPOSES ONLY.

TECHNICAL ADJUSTMENTS AND REVISIONS ARE NOT PERMITTED!



## ABOUT US

IMP PUMPS is Slovenian manufacturer of pumps and pumping systems located in Komenda in Slovenia. Company designs, develops, manufactures, distributes and maintains pumps and pumping systems. With products and services of its own and from strategic partners, company is positioned as provider of integrated solutions. With specialized skills company resolves the problems relating to the transportation of liquid media. This ensures the comfort of home environment and optimal working conditions in the industry.

More than 96 % of production is sold in over 80 countries around the world. Company is innovator in the field of electro commutated submersible motors and has the quality certificate ISO 9001:2015.

## HISTORY

IMP PUMPS was founded in 1947 and has existed as part of the IMP until the late 1980s. Company successfully survived the change of the economic system and the turbulent nineties and stood on its own feet. Company was privatized in 1997 and 1999. In the year 2000, the company was restructured and renamed in IMP PUMPS d.o.o.. Slovenia's entry into the EU was another initiative for IMP PUMPS intensive development of the sales network in the changing European market, either directly or through its business partners.

At the same time investments in development, marketing, information technology, and philosophy of e-commerce were made.

## PRESENT

IMP PUMPS is present with its products and services in many world markets (Eastern and Western Europe, North America, Asia, North Africa and Australia). IMP PUMPS is also a member of EUROPUMP the European Association of Pump Manufacturers. In pump design, high priority is given to the improvement of the energy efficiency of pumps. Excellent results have been reached by the new NMT pump series, using permanent magnets technology for very high efficiency rates. IMP PUMPS is one of the few European manufacturers, which over the years developed and launched a new generation of pumps with electronically controlled wet running motors. This is one of the main reasons that the company IMP PUMPS is ranked among Europe's technological elite.

## FUTURE

IMP PUMPS Company employees are aware they have become part of global development and the importance of the environment in which they live. Our products are energy efficient and environmentally friendly. We are constantly developing new and more cost effective pumps replacing the old types and investing in the development of intelligent pumps with an emphasis on digitization and communication. The company plans to further expand its sales on foreign markets and enhance its position among the four largest manufacturer of circulator pumps in Europe. In the spirit of its motto "The honest product for the honest price", IMP PUMPS intends to maintain the excellent quality of its products at the favorable prices for the customer, along with the application of the latest technologies and prompt service.

## Product overview

The basic production program of IMP PUMPS are circulating pumps for HVAC application. Pumps are flanged or threaded and single or double design with a bronze or cast iron hydraulic casing. All cast iron hydraulics are covered with cataphoresis.

### Wet running circulating pumps



NMT (electronic savings, ECM, SAN circulation for sanitary water)



SAN - for sanitary water



GHN (3-speed pumps)

### Dry running circulating pump



CL, ECL, CV, PV  
(in-line,  
with frequency converter)



BL, BWJ  
(multistage)



PPT BL (pressure boosting unit)



## NMT MINI



NMT SAN MINI PRO 15 / 30 - 130



**MOST EFFICIENT  
 CIRCULATING  
 PUMP ON THE  
 MARKET**



Technical specification	
Q <sub>max</sub>	up to 4,3 m <sup>3</sup> /h
H <sub>max</sub>	up to 8 m
DN	15/20/25/32
Pipe connection	G 1 / G1¼ / G1½ / G2
Installation	threaded
Insulation class	F
Degree of protection	IP 44
Voltage	1 ~ 230V, 50 Hz
Fitting length	130/150/180 mm

Name	P <sub>max</sub> [W]	I <sub>max</sub> [A]	EI
NMT MINI XX-30	15	0,16	0,12
NMT MINI XX-40	20	0,20	0,13
NMT MINI XX-60	35	0,35	0,16
NMT MINI XX-70	40	0,35	0,18
NMT MINI XX-80	50	0,50	0,18

Ambient temperature	Medium temperature
25°C	from -10°C to +110°C
30°C	from -10°C to +100°C
35°C	from -10°C to +90°C
40°C	from -10°C to +80°C







### NMT MINI FEATURES:

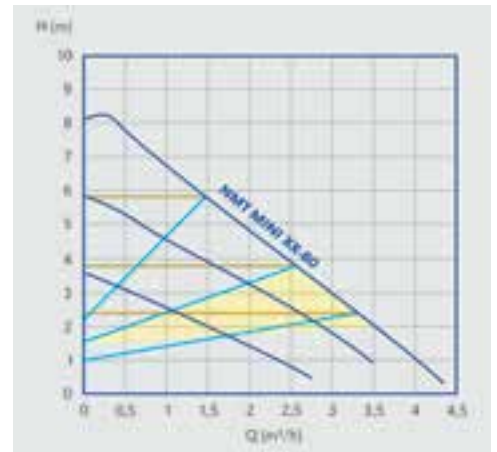
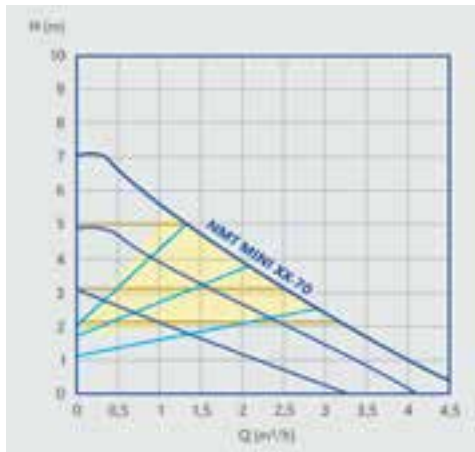
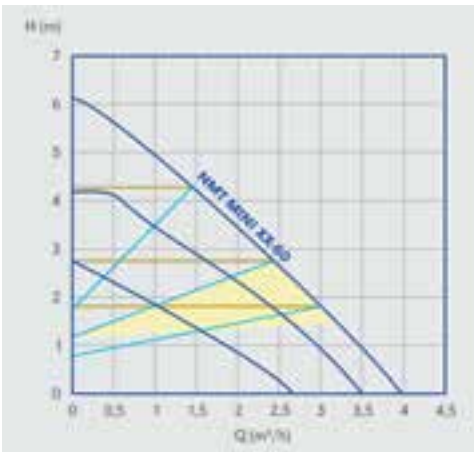
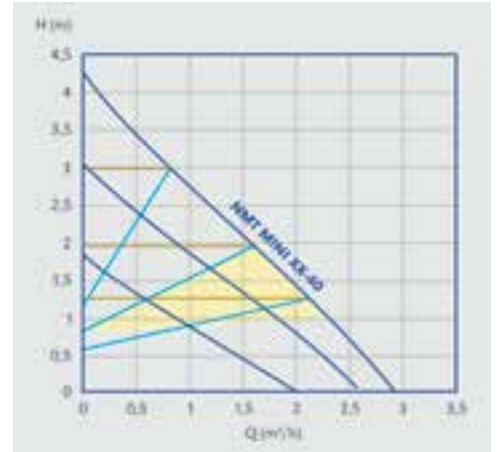
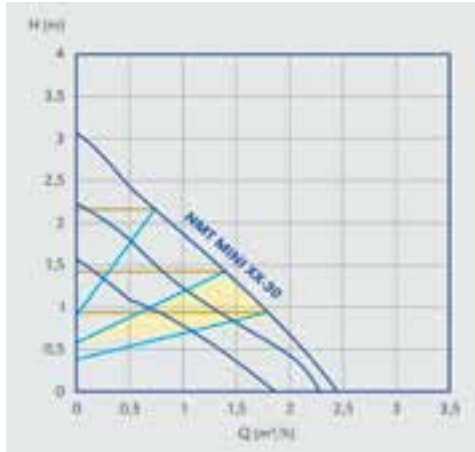
- Dry running detection prevents pump from running when there is no medium
- Ultra-light design meaning the lightest pump only weighs 1.46kg
- Automatic summer mode to prevent blocking during low season
- Robust startup
- Thermal insulation included

### Permissible mediums

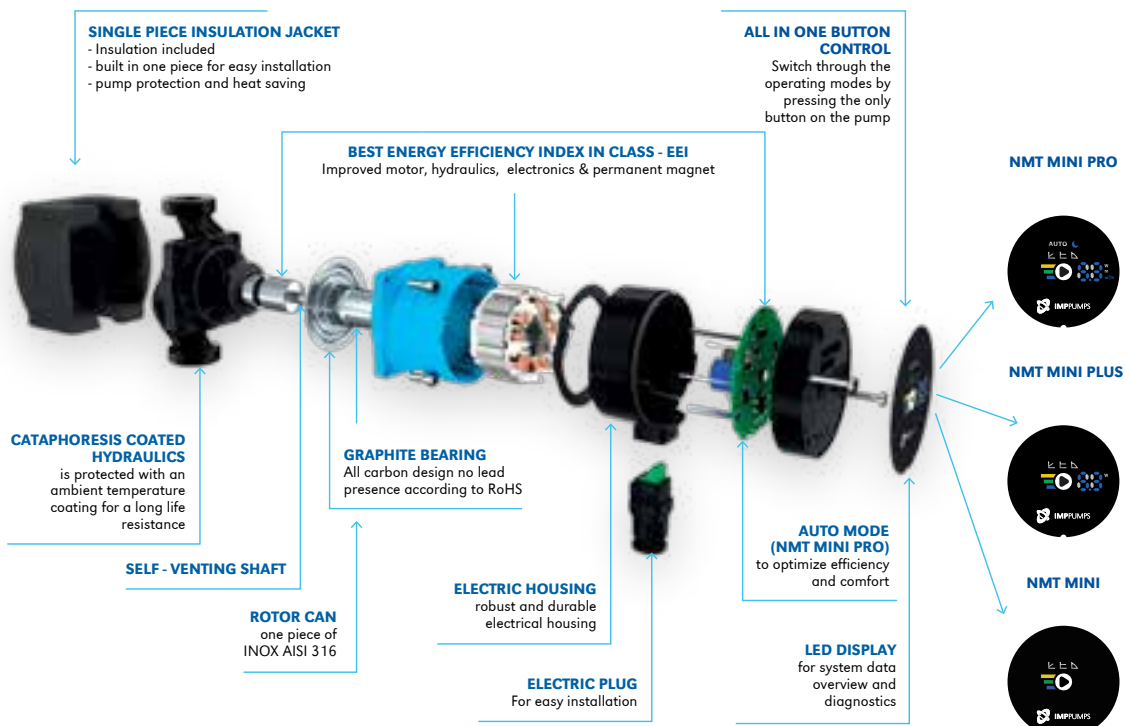
Water, mixed with glycol, parameters must be checked in the mixture of water with over 20% of glycol.

## Performance range & operating functions

-  **Auto mode** - best operating mode to optimize efficiency and comfort
-  **Night mode** - works in combination with all other modes
-  **3 proportional** - pressure curves for radiator heating
-  **3 constant** - pressure curves for floor heating
-  **3 fixed speeds** for boiler installation, venting and domestic hot water
-  **WiFi mode** - communication with the pump by integrated WiFi communication



## NMT MINI materials



## NMT MINI

Code	Type	EEI	Fitting length [mm]	Pipe connection	P <sub>max</sub> [W]	Weight [kg]
979525345	NMT MINI 15/30-130	≤ 0,12	130	G 1	15	1,46
979525346	NMT MINI 15/40-130	≤ 0,13	130	G 1	20	1,46
979525347	NMT MINI 15/60-130	≤ 0,16	130	G 1	35	1,46
979527221	NMT MINI 15/70-130	≤ 0,18	130	G 1	40	1,46
979525348	NMT MINI 15/80-130	≤ 0,18	130	G 1	50	1,46
979525349	NMT MINI 20/30-130	≤ 0,12	130	G 1¼	15	1,55
979525350	NMT MINI 20/40-130	≤ 0,13	130	G 1¼	20	1,55
979525351	NMT MINI 20/60-130	≤ 0,16	130	G 1¼	35	1,55
979525352	NMT MINI 20/80-130	≤ 0,18	130	G 1¼	50	1,55
979525353	NMT MINI 25/30-130	≤ 0,12	130	G 1½	15	1,65
979525354	NMT MINI 25/40-130	≤ 0,13	130	G 1½	20	1,65
979525355	NMT MINI 25/60-130	≤ 0,16	130	G 1½	35	1,65
979527224	NMT MINI 25/70-130	≤ 0,18	130	G 1½	40	1,65
979525356	NMT MINI 25/80-130	≤ 0,18	130	G 1½	50	1,65
979525366	NMT MINI 20/40-180	≤ 0,13	180	G 1¼	20	1,66
979525367	NMT MINI 20/60-180	≤ 0,16	180	G 1¼	35	1,66
979525368	NMT MINI 20/80-180	≤ 0,18	180	G 1¼	50	1,66
979525370	NMT MINI 25/40-180	≤ 0,13	180	G 1½	20	1,73
979525371	NMT MINI 25/60-180	≤ 0,16	180	G 1½	35	1,73
979527226	NMT MINI 25/70-180	≤ 0,18	180	G 1½	40	1,73
979525372	NMT MINI 25/80-180	≤ 0,18	180	G 1½	50	1,73
979525374	NMT MINI 32/40-180	≤ 0,13	180	G 2	20	1,93
979525375	NMT MINI 32/60-180	≤ 0,16	180	G 2	35	1,93
979527228	NMT MINI 32/70-180	≤ 0,18	180	G 2	40	1,93
979525376	NMT MINI 32/80-180	≤ 0,18	180	G 2	50	1,93



### NMT MINI main features:

- Dry running detection prevents the pump from running when there is no medium
- Ultra-light design meaning the lightest pump only weighs 1.46 kg
- Automatic summer mode to prevent blocking during low season
- Robust startup
- 3 proportional-pressure curves for radiator heating
- 3 constant-pressure curves for floor heating
- 3 fixed speeds for boiler installation, venting, and domestic hot water
- Thermal insulation included

## NMT MINI PLUS

Code	Type	EEI	Fitting length [mm]	Pipe connection	P <sub>max</sub> [W]	Weight [kg]
979525900	NMT MINI PLUS 15/40-130	≤ 0,13	130	G 1	20	1,46
979525901	NMT MINI PLUS 15/60-130	≤ 0,16	130	G 1	35	1,46
979525902	NMT MINI PLUS 15/80-130	≤ 0,18	130	G 1	50	1,46
979525904	NMT MINI PLUS 20/40-130	≤ 0,13	130	G 1¼	20	1,55
979525905	NMT MINI PLUS 20/60-130	≤ 0,16	130	G 1¼	35	1,55
979525906	NMT MINI PLUS 20/80-130	≤ 0,18	130	G 1¼	50	1,55
979525908	NMT MINI PLUS 25/40-130	≤ 0,13	130	G 1½	20	1,65
979525909	NMT MINI PLUS 25/60-130	≤ 0,16	130	G 1½	35	1,65
979525910	NMT MINI PLUS 25/80-130	≤ 0,18	130	G 1½	50	1,65
979525912	NMT MINI PLUS 20/40-180	≤ 0,13	180	G 1¼	20	1,66
979525913	NMT MINI PLUS 20/60-180	≤ 0,16	180	G 1¼	35	1,66
979525914	NMT MINI PLUS 20/80-180	≤ 0,18	180	G 1¼	50	1,66
979525916	NMT MINI PLUS 25/40-180	≤ 0,13	180	G 1½	20	1,73
979525917	NMT MINI PLUS 25/60-180	≤ 0,16	180	G 1½	35	1,73
979525918	NMT MINI PLUS 25/80-180	≤ 0,18	180	G 1½	50	1,73
979525920	NMT MINI PLUS 32/40-180	≤ 0,13	180	G 2	20	1,93
979525921	NMT MINI PLUS 32/60-180	≤ 0,16	180	G 2	35	1,93
979525922	NMT MINI PLUS 32/80-180	≤ 0,18	180	G 2	50	1,93



### NMT MINI PLUS main features:

- Numerical display shows the current operating data of the pump for Power (W)
- Dry running detection prevents the pump from running when there is no medium
- Ultra-light design meaning the lightest pump only weighs 1.46 kg
- Automatic summer mode to prevent blocking during low season
- Robust startup
- 3 proportional-pressure curves for radiator heating
- 3 constant-pressure curves for floor heating
- 3 fixed speeds for boiler installation, venting, and domestic hot water
- Thermal insulation included



## NMT MINI PRO

Code	Type	EEI	Fitting length [mm]	Pipe connection	P <sub>max</sub> [W]	Weight [kg]
979525410	NMT MINI PRO 15/40-130	≤ 0,13	130	G 1	20	1,46
979525411	NMT MINI PRO 15/60-130	≤ 0,16	130	G 1	35	1,46
979525412	NMT MINI PRO 15/80-130	≤ 0,18	130	G 1	50	1,46
979525414	NMT MINI PRO 20/40-130	≤ 0,13	130	G 1¼	20	1,55
979525415	NMT MINI PRO 20/60-130	≤ 0,16	130	G 1¼	35	1,55
979525416	NMT MINI PRO 20/80-130	≤ 0,18	130	G 1¼	50	1,55
979525418	NMT MINI PRO 25/40-130	≤ 0,13	130	G 1½	20	1,65
979525419	NMT MINI PRO 25/60-130	≤ 0,16	130	G 1½	35	1,65
979525420	NMT MINI PRO 25/80-130	≤ 0,18	130	G 1½	50	1,65
979525430	NMT MINI PRO 20/40-180	≤ 0,13	180	G 1¼	20	1,66
979525431	NMT MINI PRO 20/60-180	≤ 0,16	180	G 1¼	35	1,66
979525432	NMT MINI PRO 20/80-180	≤ 0,18	180	G 1¼	50	1,66
979525434	NMT MINI PRO 25/40-180	≤ 0,13	180	G 1½	20	1,73
979525435	NMT MINI PRO 25/60-180	≤ 0,16	180	G 1½	35	1,73
979525436	NMT MINI PRO 25/80-180	≤ 0,18	180	G 1½	50	1,73
979525438	NMT MINI PRO 32/40-180	≤ 0,13	180	G 2	20	1,93
979525439	NMT MINI PRO 32/60-180	≤ 0,16	180	G 2	35	1,93
979525440	NMT MINI PRO 32/80-180	≤ 0,18	180	G 2	50	1,93

### NMT MINI PRO main features:

- Numerical display shows the current operating data of the pump for: Power (W), Head (h), and Flow (m<sup>3</sup>/h)
- Auto mode best operating mode to optimize efficiency and comfort
- Night mode - in combination with other modes
- Dry running detection prevents the pump from running when there is no medium
- Ultra-light design meaning the lightest pump only weighs 1.46 kg
- Automatic summer mode to prevent blocking during low season
- Robust startup
- 3 proportional-pressure curves for radiator heating
- 3 constant-pressure curves for floor heating
- 3 fixed speeds for boiler installation, venting, and domestic hot water
- Thermal insulation included



## NMT MINI PRO WIFI

Code	Type	EEI	Fitting length [mm]	Pipe connection	P <sub>max</sub> [W]	Weight [kg]
979525671	NMT MINI PRO WIFI 15/40-130	≤ 0,13	130	G 1	20	1,46
979525672	NMT MINI PRO WIFI 15/60-130	≤ 0,16	130	G 1	35	1,46
979525673	NMT MINI PRO WIFI 15/80-130	≤ 0,18	130	G 1	50	1,46
979525675	NMT MINI PRO WIFI 20/40-130	≤ 0,13	130	G 1¼	20	1,55
979525676	NMT MINI PRO WIFI 20/60-130	≤ 0,16	130	G 1¼	35	1,55
979525677	NMT MINI PRO WIFI 20/80-130	≤ 0,18	130	G 1¼	50	1,55
979525679	NMT MINI PRO WIFI 25/40-130	≤ 0,13	130	G 1½	20	1,65
979525680	NMT MINI PRO WIFI 25/60-130	≤ 0,16	130	G 1½	35	1,65
979525681	NMT MINI PRO WIFI 25/80-130	≤ 0,18	130	G 1½	50	1,65
979525691	NMT MINI PRO WIFI 20/40-180	≤ 0,13	180	G 1¼	20	1,66
979525692	NMT MINI PRO WIFI 20/60-180	≤ 0,16	180	G 1¼	35	1,66
979525693	NMT MINI PRO WIFI 20/80-180	≤ 0,18	180	G 1¼	50	1,66
979525695	NMT MINI PRO WIFI 25/40-180	≤ 0,13	180	G 1½	20	1,73
979525696	NMT MINI PRO WIFI 25/60-180	≤ 0,16	180	G 1½	35	1,73
979525697	NMT MINI PRO WIFI 25/80-180	≤ 0,18	180	G 1½	50	1,73
979525699	NMT MINI PRO WIFI 32/40-180	≤ 0,13	180	G 2	20	1,93
979525700	NMT MINI PRO WIFI 32/60-180	≤ 0,16	180	G 2	35	1,93
979525701	NMT MINI PRO WIFI 32/80-180	≤ 0,18	180	G 2	50	1,93



### NMT MINI PRO WiFi main features:

- THE FIRST domestic pump in the market with WiFi communication
- Application-free (no need for app installation)
- Compatible with all mobile devices and operating systems
- Connection of multiple pumps on the same WiFi network, and easy access to each pump - remote access to the pump for diagnostics
- Communication with the pump by integrated WiFi
- Numerical display shows the current operating data of the pump for: Power (W), Head (h), and Flow (m<sup>3</sup>/h)
- Auto mode best operating mode to optimize efficiency and comfort
- Night mode - in combination with other modes
- Dry running detection prevents the pump from running when there is no medium
- Ultra-light design meaning the lightest pump only weighs 1.46 kg
- Automatic summer mode to prevent blocking during low season
- Robust startup
- 3 proportional-pressure curves for radiator heating
- 3 constant-pressure curves for floor heating
- 3 fixed speeds for boiler installation, venting, and domestic hot water
- Thermal insulation included

# WiFi CONNECTIVITY

**THE FIRST WiFi domestic pump in the market**



**pump can be up to 300m away from the mobile phone or WiFi network**



**remote access to the pump enables diagnostic information in case of failure**



**compatibility with all mobile phones and OS**



**possibility of weekly calendar setting for sanitary water version (in future firmware updates - coming soon)**



**the best performance in terms of signal reliability**



**connect directly to mobile phone or existing WiFi network**



**connect multiple pumps on same WiFi network - easy access to each pump**



**no application download needed direct browser access (Chrome/Firefox/Safari/IE Explorer...)**



## NMT MINI ER

Code	Type	EEI	Fitting length [mm]	Pipe connection	P <sub>max</sub> [W]	Weight [kg]
979525602	NMT MINI ER 15/40-130	≤ 0,13	130	G 1	20	1,46
979525603	NMT MINI ER 15/60-130	≤ 0,16	130	G 1	35	1,46
979525604	NMT MINI ER 15/80-130	≤ 0,18	130	G 1	50	1,46
979525606	NMT MINI ER 20/40-130	≤ 0,13	130	G 1¼	20	1,55
979525607	NMT MINI ER 20/60-130	≤ 0,16	130	G 1¼	35	1,55
979525608	NMT MINI ER 20/80-130	≤ 0,18	130	G 1¼	50	1,55
979525610	NMT MINI ER 25/40-130	≤ 0,13	130	G 1½	20	1,65
979525611	NMT MINI ER 25/60-130	≤ 0,16	130	G 1½	35	1,65
979525612	NMT MINI ER 25/80-130	≤ 0,18	130	G 1½	50	1,65
979525622	NMT MINI ER 20/40-180	≤ 0,13	180	G 1¼	20	1,66
979525623	NMT MINI ER 20/60-180	≤ 0,16	180	G 1¼	35	1,66
979525624	NMT MINI ER 20/80-180	≤ 0,18	180	G 1¼	50	1,66
979525626	NMT MINI ER 25/40-180	≤ 0,13	180	G 1½	20	1,73
979525627	NMT MINI ER 25/60-180	≤ 0,16	180	G 1½	35	1,73
979525628	NMT MINI ER 25/80-180	≤ 0,18	180	G 1½	50	1,73
979525630	NMT MINI ER 32/40-180	≤ 0,13	180	G 2	20	1,93
979525631	NMT MINI ER 32/60-180	≤ 0,16	180	G 2	35	1,93
979525632	NMT MINI ER 32/80-180	≤ 0,18	180	G 2	50	1,93



NMT MINI ER main features:

- Input 0-10V
- Relay output - error
- Dry running detection prevents the pump from running when there is no medium
- Ultra-light design meaning the lightest pump only weighs 1.46 kg
- Automatic summer mode to prevent blocking during low season
- Robust startup
- 3 proportional-pressure curves for radiator heating
- 3 constant-pressure curves for floor heating
- 3 fixed speeds for boiler installation, venting, and domestic hot water
- Thermal insulation included

## NMT MINI PWM

Code	Type	EEI	Fitting length [mm]	Pipe connection	P <sub>max</sub> [W]	Weight [kg]
979527590	NMT MINI PWM 15/40-130	≤ 0,13	130	G 1	20	1,46
979527591	NMT MINI PWM 15/60-130	≤ 0,16	130	G 1	35	1,46
979527593	NMT MINI PWM 15/80-130	≤ 0,18	130	G 1	50	1,46
979527597	NMT MINI PWM 20/40-130	≤ 0,13	130	G 1¼	20	1,55
979527598	NMT MINI PWM 20/60-130	≤ 0,16	130	G 1¼	35	1,55
979527600	NMT MINI PWM 20/80-130	≤ 0,18	130	G 1¼	50	1,55
979527604	NMT MINI PWM 25/40-130	≤ 0,13	130	G 1½	20	1,65
979527605	NMT MINI PWM 25/60-130	≤ 0,16	130	G 1½	35	1,65
979527607	NMT MINI PWM 25/80-130	≤ 0,18	130	G 1½	50	1,65
979527611	NMT MINI PWM 20/40-180	≤ 0,13	180	G 1¼	20	1,66
979527612	NMT MINI PWM 20/60-180	≤ 0,16	180	G 1¼	35	1,66
979527614	NMT MINI PWM 20/80-180	≤ 0,18	180	G 1¼	50	1,66
979527618	NMT MINI PWM 25/40-180	≤ 0,13	180	G 1½	20	1,73
979527619	NMT MINI PWM 25/60-180	≤ 0,16	180	G 1½	35	1,73
979527621	NMT MINI PWM 25/80-180	≤ 0,18	180	G 1½	50	1,73
979527625	NMT MINI PWM 32/40-180	≤ 0,13	180	G 2	20	1,93
979527626	NMT MINI PWM 32/60-180	≤ 0,16	180	G 2	35	1,93
979527628	NMT MINI PWM 32/80-180	≤ 0,18	180	G 2	50	1,93



NMT MINI PWM main features:

- PWM H input - heating profile
- PWM H output - standby, speed, error
- PWM S input - solar profile
- PWM S output - standby, speed, error
- Normal operating mode (without PWM signal)
- Dry running detection prevents the pump from running when there is no medium
- Ultra-light design meaning the lightest pump only weighs 1.46 kg
- Automatic summer mode to prevent blocking during low season
- Robust startup
- 3 proportional-pressure curves for radiator heating
- 3 constant-pressure curves for floor heating
- 3 fixed speeds for boiler installation, venting, and domestic hot water
- Thermal insulation included

## NMT SAN MINI

Code	Type	EEI	Fitting length [mm]	Pipe connection	P <sub>max</sub> [W]	Weight [kg]
979525378	NMT SAN MINI 15/40-130	≤ 0,13	130	G 1	20	1,56
979525379	NMT SAN MINI 15/60-130	≤ 0,16	130	G 1	35	1,56
979525380	NMT SAN MINI 15/80-130	≤ 0,18	130	G 1	50	1,56
979525382	NMT SAN MINI 20/40-130	≤ 0,13	130	G 1¼	20	1,66
979525383	NMT SAN MINI 20/60-130	≤ 0,16	130	G 1¼	35	1,66
979525384	NMT SAN MINI 20/80-130	≤ 0,18	130	G 1¼	50	1,66
979525386	NMT SAN MINI 25/40-130	≤ 0,13	130	G 1½	20	1,70
979525387	NMT SAN MINI 25/60-130	≤ 0,16	130	G 1½	35	1,70
979525388	NMT SAN MINI 25/80-130	≤ 0,18	130	G 1½	50	1,70
979527060	NMT SAN MINI 20/40-150	≤ 0,13	150	G 1¼	20	1,65
979527061	NMT SAN MINI 20/60-150	≤ 0,16	150	G 1¼	35	1,65
979527062	NMT SAN MINI 20/80-150	≤ 0,18	150	G 1¼	50	1,65
979527064	NMT SAN MINI 25/40-150	≤ 0,13	150	G 1½	20	1,72
979527065	NMT SAN MINI 25/60-150	≤ 0,16	150	G 1½	35	1,72
979527066	NMT SAN MINI 25/80-150	≤ 0,18	150	G 1½	50	1,72
979525398	NMT SAN MINI 20/40-180	≤ 0,13	180	G 1¼	20	1,75
979525399	NMT SAN MINI 20/60-180	≤ 0,16	180	G 1¼	35	1,75
979525400	NMT SAN MINI 20/80-180	≤ 0,18	180	G 1¼	50	1,75
979525402	NMT SAN MINI 25/40-180	≤ 0,13	180	G 1½	20	1,80
979525403	NMT SAN MINI 25/60-180	≤ 0,16	180	G 1½	35	1,80
979525404	NMT SAN MINI 25/80-180	≤ 0,18	180	G 1½	50	1,80
979525406	NMT SAN MINI 32/40-180	≤ 0,13	180	G 2	20	2,05
979525407	NMT SAN MINI 32/60-180	≤ 0,16	180	G 2	35	2,05
979525408	NMT SAN MINI 32/80-180	≤ 0,18	180	G 2	50	2,05



NMT SAN MINI main features:

- Inox hydraulics for sanitary water use
- Dry running detection prevents the pump from running when there is no medium
- Ultra-light design meaning the lightest pump only weighs 1.46 kg
- Automatic summer mode to prevent blocking during low season
- Robust startup
- 3 proportional-pressure curves for radiator heating
- 3 constant-pressure curves for floor heating
- 3 fixed speeds for boiler installation, venting, and domestic hot water
- Thermal insulation included

## NMT SAN MINI PLUS

Code	Type	EEl	Fitting length [mm]	Pipe connection	P <sub>max</sub> [W]	Weight [kg]
979525924	NMT SAN MINI PLUS 15/40-130	≤ 0,13	130	G 1	20	1,56
979525925	NMT SAN MINI PLUS 15/60-130	≤ 0,16	130	G 1	35	1,56
979525926	NMT SAN MINI PLUS 15/80-130	≤ 0,18	130	G 1	50	1,56
979525928	NMT SAN MINI PLUS 20/40-130	≤ 0,13	130	G 1¼	20	1,66
979525929	NMT SAN MINI PLUS 20/60-130	≤ 0,16	130	G 1¼	35	1,66
979525930	NMT SAN MINI PLUS 20/80-130	≤ 0,18	130	G 1¼	50	1,66
979525932	NMT SAN MINI PLUS 25/40-130	≤ 0,13	130	G 1½	20	1,70
979525933	NMT SAN MINI PLUS 25/60-130	≤ 0,16	130	G 1½	35	1,70
979525934	NMT SAN MINI PLUS 25/80-130	≤ 0,18	130	G 1½	50	1,70
979527083	NMT SAN MINI PLUS 20/40-150	≤ 0,13	150	G 1¼	20	1,65
979527084	NMT SAN MINI PLUS 20/60-150	≤ 0,16	150	G 1¼	35	1,65
979527085	NMT SAN MINI PLUS 20/80-150	≤ 0,18	150	G 1¼	50	1,65
979527087	NMT SAN MINI PLUS 25/40-150	≤ 0,13	150	G 1½	20	1,72
979527088	NMT SAN MINI PLUS 25/60-150	≤ 0,16	150	G 1½	35	1,72
979527089	NMT SAN MINI PLUS 25/80-150	≤ 0,18	150	G 1½	50	1,72
979525936	NMT SAN MINI PLUS 20/40-180	≤ 0,13	180	G 1¼	20	1,75
979525937	NMT SAN MINI PLUS 20/60-180	≤ 0,16	180	G 1¼	35	1,75
979525938	NMT SAN MINI PLUS 20/80-180	≤ 0,18	180	G 1¼	50	1,75
979525940	NMT SAN MINI PLUS 25/40-180	≤ 0,13	180	G 1½	20	1,80
979525941	NMT SAN MINI PLUS 25/60-180	≤ 0,16	180	G 1½	35	1,80
979525942	NMT SAN MINI PLUS 25/80-180	≤ 0,18	180	G 1½	50	1,80
979525944	NMT SAN MINI PLUS 32/40-180	≤ 0,13	180	G 2	20	2,05
979525945	NMT SAN MINI PLUS 32/60-180	≤ 0,16	180	G 2	35	2,05
979525946	NMT SAN MINI PLUS 32/80-180	≤ 0,18	180	G 2	50	2,05



NMT SAN MINI PLUS main features:

- Inox hydraulics for sanitary water use
- Numerical display shows the current operating data of the pump for Power (W)
- Dry running detection prevents the pump from running when there is no medium
- Ultra-light design meaning the lightest pump only weighs 1.46 kg
- Automatic summer mode to prevent blocking during low season
- Robust startup
- 3 proportional-pressure curves for radiator heating
- 3 constant-pressure curves for floor heating
- 3 fixed speeds for boiler installation, venting, and domestic hot water
- Thermal insulation included

## NMT SAN MINI PRO

Code	Type	EEI	Fitting length [mm]	Pipe connection	P <sub>max</sub> [W]	Weight [kg]
979525442	NMT SAN MINI PRO 15/40-130	≤ 0,13	130	G 1	20	1,56
979525443	NMT SAN MINI PRO 15/60-130	≤ 0,16	130	G 1	35	1,56
979525444	NMT SAN MINI PRO 15/80-130	≤ 0,18	130	G 1	50	1,56
979525446	NMT SAN MINI PRO 20/40-130	≤ 0,13	130	G 1¼	20	1,66
979525447	NMT SAN MINI PRO 20/60-130	≤ 0,16	130	G 1¼	35	1,66
979525448	NMT SAN MINI PRO 20/80-130	≤ 0,18	130	G 1¼	50	1,66
979525450	NMT SAN MINI PRO 25/40-130	≤ 0,13	130	G 1½	20	1,70
979525451	NMT SAN MINI PRO 25/60-130	≤ 0,16	130	G 1½	35	1,70
979525452	NMT SAN MINI PRO 25/80-130	≤ 0,18	130	G 1½	50	1,70
979527091	NMT SAN MINI PRO 20/40-150	≤ 0,13	150	G 1¼	20	1,65
979527092	NMT SAN MINI PRO 20/60-150	≤ 0,16	150	G 1¼	35	1,65
979527093	NMT SAN MINI PRO 20/80-150	≤ 0,18	150	G 1¼	50	1,65
979527095	NMT SAN MINI PRO 25/40-150	≤ 0,13	150	G 1½	20	1,72
979527096	NMT SAN MINI PRO 25/60-150	≤ 0,16	150	G 1½	35	1,72
979527097	NMT SAN MINI PRO 25/80-150	≤ 0,18	150	G 1½	50	1,72
979525462	NMT SAN MINI PRO 20/40-180	≤ 0,13	180	G 1¼	20	1,75
979525463	NMT SAN MINI PRO 20/60-180	≤ 0,16	180	G 1¼	35	1,75
979525464	NMT SAN MINI PRO 20/80-180	≤ 0,18	180	G 1¼	50	1,75
979525466	NMT SAN MINI PRO 25/40-180	≤ 0,13	180	G 1½	20	1,80
979525467	NMT SAN MINI PRO 25/60-180	≤ 0,16	180	G 1½	35	1,80
979525468	NMT SAN MINI PRO 25/80-180	≤ 0,18	180	G 1½	50	1,80
979525470	NMT SAN MINI PRO 32/40-180	≤ 0,13	180	G 2	20	2,05
979525471	NMT SAN MINI PRO 32/60-180	≤ 0,16	180	G 2	35	2,05
979525472	NMT SAN MINI PRO 32/80-180	≤ 0,18	180	G 2	50	2,05



NMT SAN MINI PRO main features:

- Inox hydraulics for sanitary water use
- Numerical display shows the current operating data of the pump for: Power (W), Head (h), and Flow (m<sup>3</sup>/h)
- Auto mode best operating mode to optimize efficiency and comfort
- Night mode - in combination with other modes
- Dry running detection prevents the pump from running when there is no medium
- Ultra-light design meaning the lightest pump only weighs 1.46 kg
- Automatic summer mode to prevent blocking during low season
- Robust startup
- 3 proportional-pressure curves for radiator heating
- 3 constant-pressure curves for floor heating
- 3 fixed speeds for boiler installation, venting, and domestic hot water
- Thermal insulation included



## NMT SAN MINI PRO WIFI

Code	Type	EEI	Fitting length [mm]	Pipe connection	P <sub>max</sub> [W]	Weight [kg]
979525703	NMT SAN MINI PRO WIFI 15/40-130	≤ 0,13	130	G 1	20	1,56
979525704	NMT SAN MINI PRO WIFI 15/60-130	≤ 0,16	130	G 1	35	1,56
979525705	NMT SAN MINI PRO WIFI 15/80-130	≤ 0,18	130	G 1	50	1,56
979525707	NMT SAN MINI PRO WIFI 20/40-130	≤ 0,13	130	G 1¼	20	1,66
979525708	NMT SAN MINI PRO WIFI 20/60-130	≤ 0,16	130	G 1¼	35	1,66
979525709	NMT SAN MINI PRO WIFI 20/80-130	≤ 0,18	130	G 1¼	50	1,66
979525711	NMT SAN MINI PRO WIFI 25/40-130	≤ 0,13	130	G 1½	20	1,70
979525712	NMT SAN MINI PRO WIFI 25/60-130	≤ 0,16	130	G 1½	35	1,70
979525713	NMT SAN MINI PRO WIFI 25/80-130	≤ 0,18	130	G 1½	50	1,70
979527099	NMT SAN MINI PRO WIFI 20/40-150	≤ 0,13	150	G 1¼	20	1,65
979527100	NMT SAN MINI PRO WIFI 20/60-150	≤ 0,16	150	G 1¼	35	1,65
979527101	NMT SAN MINI PRO WIFI 20/80-150	≤ 0,18	150	G 1¼	50	1,65
979527103	NMT SAN MINI PRO WIFI 25/40-150	≤ 0,13	150	G 1½	20	1,72
979527104	NMT SAN MINI PRO WIFI 25/60-150	≤ 0,16	150	G 1½	35	1,72
979527105	NMT SAN MINI PRO WIFI 25/80-150	≤ 0,18	150	G 1½	50	1,72
979525723	NMT SAN MINI PRO WIFI 20/40-180	≤ 0,13	180	G 1¼	20	1,75
979525724	NMT SAN MINI PRO WIFI 20/60-180	≤ 0,16	180	G 1¼	35	1,75
979525725	NMT SAN MINI PRO WIFI 20/80-180	≤ 0,18	180	G 1¼	50	1,75
979525727	NMT SAN MINI PRO WIFI 25/40-180	≤ 0,13	180	G 1½	20	1,80
979525728	NMT SAN MINI PRO WIFI 25/60-180	≤ 0,16	180	G 1½	35	1,80
979525729	NMT SAN MINI PRO WIFI 25/80-180	≤ 0,18	180	G 1½	50	1,80
979525731	NMT SAN MINI PRO WIFI 32/40-180	≤ 0,13	180	G 2	20	2,05
979525732	NMT SAN MINI PRO WIFI 32/60-180	≤ 0,16	180	G 2	35	2,05
979525733	NMT SAN MINI PRO WIFI 32/80-180	≤ 0,18	180	G 2	50	2,05

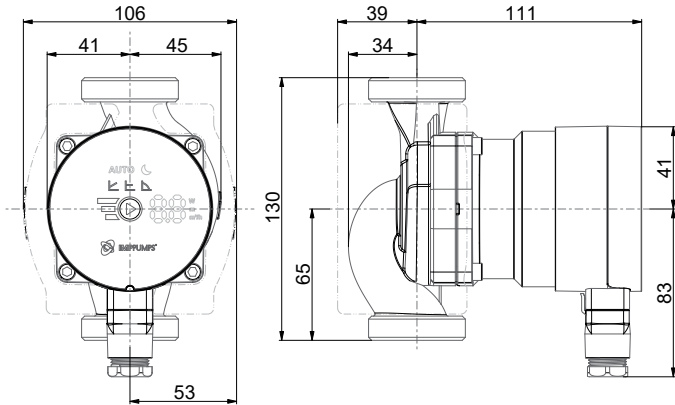


### NMT SAN MINI PRO WiFi main features:

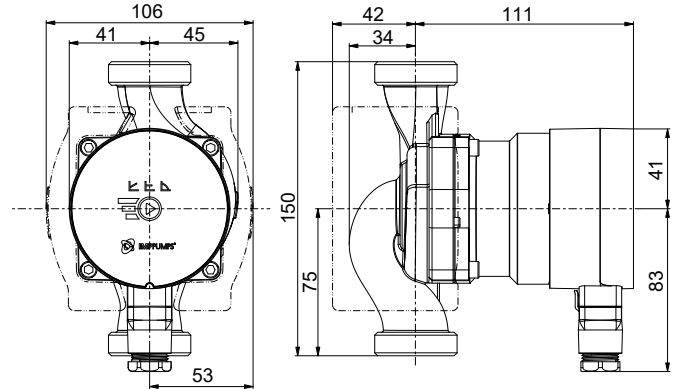
- THE FIRST domestic pump in the market with WiFi communication
- Inox hydraulics for sanitary water use
- Possibility of weekly calendar setting
- Application-free (no need for app installation)
- Compatible with all mobile devices and operating systems
- Connection of multiple pumps on the same WiFi network, and easy access to each pump - remote access to the pump for diagnostics
- Communication with the pump by integrated WiFi
- Numerical display shows the current operating data of the pump for: Power (W), Head (h), and Flow (m<sup>3</sup>/h)
- Auto mode best operating mode to optimize efficiency and comfort
- Night mode - in combination with other modes
- Dry running detection prevents the pump from running when there is no medium
- Ultra-light design meaning the lightest pump only weighs 1.46 kg
- Automatic summer mode to prevent blocking during low season
- Robust startup
- 3 proportional-pressure curves for radiator heating
- 3 constant-pressure curves for floor heating
- 3 fixed speeds for boiler installation, venting, and domestic hot water
- Thermal insulation included

## Dimensions

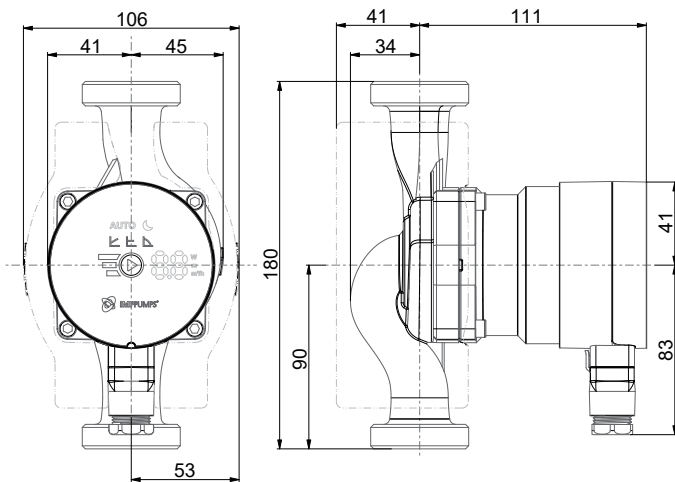
**NMT MINI (PLUS/PRO/PRO WiFi) XX/XX-130**



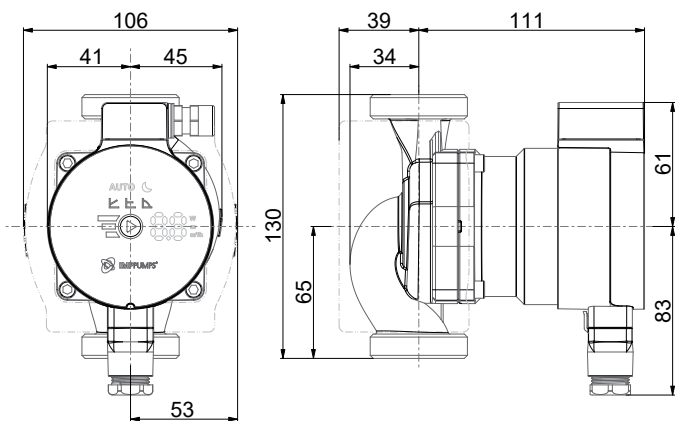
**NMT SAN MINI (PLUS/PRO/PRO WiFi) XX/XX-150**



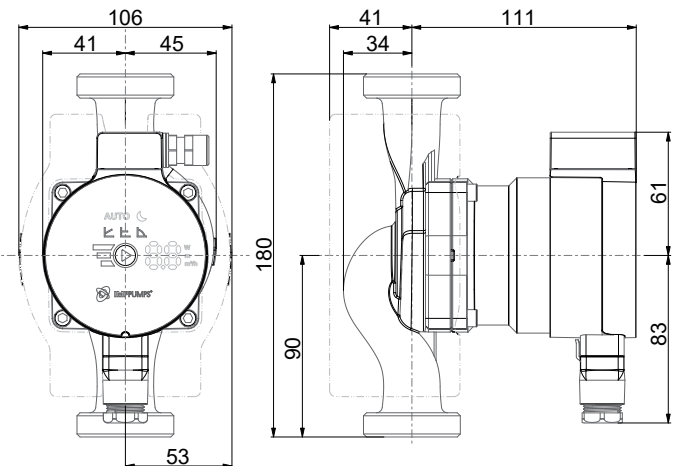
**NMT MINI (PLUS/PRO/PRO WiFi) XX/XX-180**



**NMT MINI (ER/PWM) XX/XX-130**

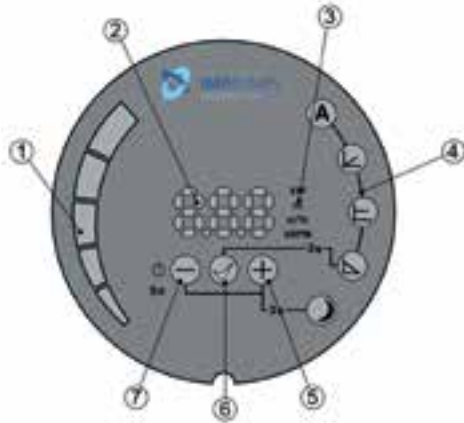


**NMT MINI (ER/PWM) XX/XX-180**



## DISPLAY OPERATION (NMT SMART, NMT MAX)

With the use of the display panel, you can control and overview pump modes, on/off control, pump parameters and errors.



1. Bar graph display of pump parameters
2. Numeric display of values
3. Display of selected parameter
4. Display of selected mode
5. Selection key
6. Confirmation key
7. Selection key

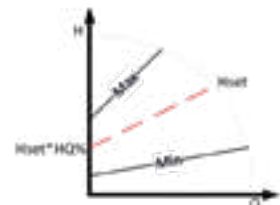
The pump can operate in 5 different modes. We can set the pump in the most appropriate mode, depending on the system where the pump operates.

### **A** Automatic mode

In automatic mode the pump automatically sets the operating pressure, depending on the hydraulic system. By doing so, the pump finds the optimal operating position. This mode is recommended in most systems.

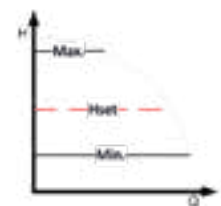
### **L** Proportional pressure

The pump maintains the pressure with relation to the current flow. The pressure is equal to the set pressure ( $H_{set}$  on the drawing) at maximum power; at 0 flow it is equal to  $H_Q$  % (default 50%,  $H_Q$  % can be set on the pump webpage) of the set pressure. In between, the pressure changes linearly, relative to the flow. In regulated mode we can only set the pump pressure ( $H_{set}$  on the drawing).



### **E** Constant pressure

The pump maintains the currently set pressure ( $H_{set}$  on the drawing), from 0 flow to maximum power, where the pressure begins to drop. At constant pressure, we can only set the pressure ( $H_{set}$  on the drawing) which the pump will maintain.



### **B** Constant speed

The pump operates with the currently set speed ( $RPM_{set}$  on the drawing). In the unregulated mode, we can only set the speed at which the pump will operate.



### **M** Night mode

Night mode can be activated in combination with any of the operating modes listed above, and allows the circulator to operate at a minimum curve (therefore with very low consumption) when it detects a decrease in liquid temperature of 15-20 °C. When temperature rises, it automatically returns to normal operating curve (according to the selected mode).

## NMTC - communication module



### NMTC module can be optionally connected to:

- NMT SMART
- NMT MAX

### NMTC module can be attached to the pump:

1. At the purchase (different code of the pump):
  - NMT SMART C
  - NMT MAX C
2. Later after the pump is already running:
  - NMT SMART → NMT SMART C
  - NMT MAX\* → NMT MAX C\*

### This module is used for various remote control applications, including:

- REMOTE ON/OFF
- ANALOG 0-10V VOLTAGE CONTROL
- MODBUS REMOTE CONTROL
- STATUS RELAY FEEDBACK
- WEB ACCESS OVER ETHERNET / RS485

Code	Type
979523376	NMTC communication Module NMTC for NMT Smart and NMT MAX series
979524505	2 x Interconnected NMTC communication Modules for NMTD Smart and NMTD MAX

\* NMT MAX C models that only come with NMTC module (NMT MAX is not available): NMT MAX C 65-180, NMT MAX C 80-120, NMT MAX C 80-180, NMT MAX C 100-80, NMT MAX C 100-120, NMT MAX C 100-180

## SSR (S) - communication module



### SSR module is included with:

- NMT MAX

### SSR module can be optionally connected to:

- NMT SMART

### SSR module can be attached to the pump:

1. At the purchase (different code of the pump):
  - NMT SMART S
2. Later after the pump is already running:
  - NMT SMART → NMT SMART S

### This module is used for various remote control applications, including:

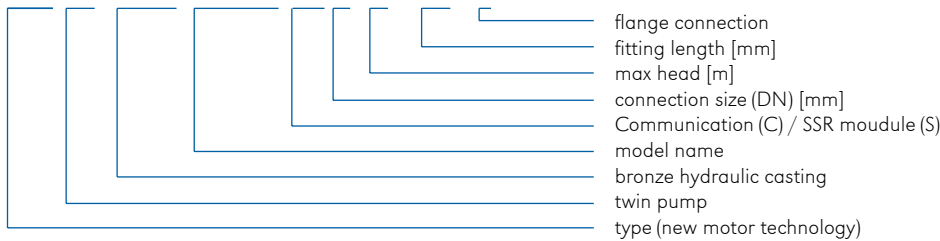
- REMOTE ON/OFF
- STATUS RELAY FEEDBACK

Code	Type
979525742	SSR module for Smart and MAX (spare part) series
979526503	2 x SSR module for NMTD Smart and MAX (spare part) series

## NMT SMART



NMT (D) (SAN) SMART (C) xx/xx - 180 (F)



### Electronically controlled wet running circulating pump

For all heating systems, air conditioning, closed cooling circuits and industrial systems, used in accordance with VDI 2035 and ErP.

#### High efficient wet running pump with auto adapt function

- ECM permanent magnet technology with high energy efficiency
- LED display for control
- built-in electric protection
- easy handling and installation, low noise operation and automatic venting
- robust and compact construction for long life

#### Automatic operation

- Immediate adaptation to the system

#### Manual adjustment

- Proportional pressure, constant pressure, constant speed, night mode

#### Communication

SMART S - with optional S module you get:  
 status relay feedback & remote on/off  
 SMART C - with NMTC communication module (option):  
 Ethernet, Modbus RTU, analog control input 0-10V,  
 3 analog inputs/outputs, 1 relay output

#### Permissible mediums

Water, mixed with glycol, parameters must be checked in the mixture of water with over 20% of glycol.  
 Pure, non-explosive liquid medium free of mineral oils and solid particles. Medium temperature from - 10 °C to + 110 °C, ambient temperature with max. surroundings temperature 40 °C.

#### Technical specification

Q <sub>max</sub>	up to 12 m <sup>3</sup> /h
H <sub>max</sub>	up to 12 m
P	PN10 bar
DN	25/32/40/50
Pipe connection	G 1½ / G2
Installation	flange, threaded
Insulation class	F
Degree of protection	IP 44
Voltage	1 - 230V, 50 Hz

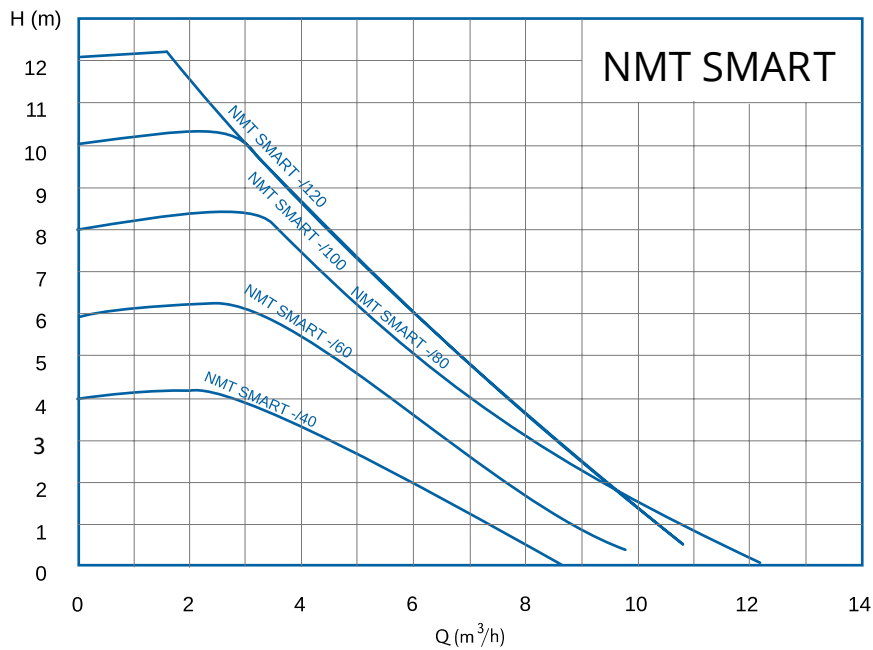
#### Minimum inlet pressure

0.05 bar <75 °C (fluid temperature)  
 0.28 bar <90 °C (fluid temperature)

#### Material

Hydraulic casing	cast iron/bronze
Impeller	PES
Shaft	stainless steel AISI 316
Bearings	all carbon
Rotor can	stainless steel AISI 316

## Performance range



### NMT SMART - threaded pumps

Code	Type	EEl	Fitting length L [mm]	Pipe connection	P <sub>max</sub> [W]	Weight [kg]
979527117	NMT SMART 25/40-180	≤ 0,19	180	G 1½	70	3,40
979527118	NMT SMART 25/60-180	≤ 0,21	180	G 1½	110	3,40
979527119	NMT SMART 25/80-180	≤ 0,21	180	G 1½	150	3,40
979523301	NMT SMART 25/100-180	≤ 0,20	180	G 1½	180	3,30
979523664	NMT SMART 25/120-180	≤ 0,20	180	G 1½	180	3,20
979527120	NMT SMART 32/40-180	≤ 0,19	180	G 2	70	3,80
979527121	NMT SMART 32/60-180	≤ 0,21	180	G 2	110	3,80
979527122	NMT SMART 32/80-180	≤ 0,21	180	G 2	150	3,80
979523216	NMT SMART 32/100-180	≤ 0,20	180	G 2	180	3,80
979523771	NMT SMART 32/120-180	≤ 0,20	180	G 2	180	3,80

### NMT SMART C - threaded pumps with NMTC communication module

Code	Type	EEl	Fitting length L [mm]	Pipe connection	P <sub>max</sub> [W]	Weight [kg]
979527141	NMT SMART C 25/40-180	≤ 0,19	180	G 1½	70	3,50
979527142	NMT SMART C 25/60-180	≤ 0,21	180	G 1½	110	3,50
979527143	NMT SMART C 25/80-180	≤ 0,21	180	G 1½	150	3,50
979523371	NMT SMART C 25/100-180	≤ 0,20	180	G 1½	180	3,40
979524538	NMT SMART C 25/120-180	≤ 0,20	180	G 1½	180	3,50
979527144	NMT SMART C 32/40-180	≤ 0,19	180	G 2	70	3,85
979527145	NMT SMART C 32/60-180	≤ 0,21	180	G 2	110	3,85
979527146	NMT SMART C 32/80-180	≤ 0,21	180	G 2	150	3,85
979523367	NMT SMART C 32/100-180	≤ 0,20	180	G 2	180	3,60
979524539	NMT SMART C 32/120-180	≤ 0,20	180	G 2	180	3,50

## NMT SMART S - threaded pumps with SSR communication module

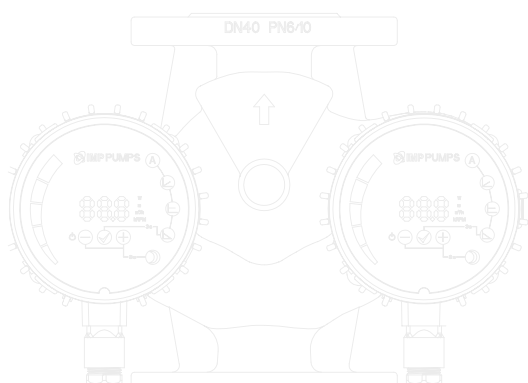
Code	Type	EEl	Fitting length L [mm]	Pipe connection	Pmax [W]	Weight [kg]
979525784	NMT SMART S 25/40-180	≤ 0,19	180	G 1½	70	3,50
979525785	NMT SMART S 25/60-180	≤ 0,21	180	G 1½	110	3,50
979525786	NMT SMART S 25/80-180	≤ 0,21	180	G 1½	150	3,50
979525787	NMT SMART S 25/100-180	≤ 0,20	180	G 1½	180	3,40
979525788	NMT SMART S 25/120-180	≤ 0,20	180	G 1½	180	3,50
979525789	NMT SMART S 32/40-180	≤ 0,19	180	G 2	70	3,85
979525790	NMT SMART S 32/60-180	≤ 0,21	180	G 2	110	3,85
979525791	NMT SMART S 32/80-180	≤ 0,21	180	G 2	150	3,85
979525792	NMT SMART S 32/100-180	≤ 0,20	180	G 2	180	3,60
979525793	NMT SMART S 32/120-180	≤ 0,20	180	G 2	180	3,50

## NMTD SMART - threaded pumps, twin version

Code	Type	EEl	Fitting length L [mm]	Pipe connection	Pmax [W]	Weight [kg]
979527123	NMTD SMART 32/40-180	≤ 0,19	180	G 2	2x70	8,10
979527124	NMTD SMART 32/60-180	≤ 0,21	180	G 2	2x110	8,10
979527125	NMTD SMART 32/80-180	≤ 0,21	180	G 2	2x150	8,10
979523549	NMTD SMART 32/100-180	≤ 0,20	180	G 2	2x180	8,20
979524592	NMTD SMART 32/120-180	≤ 0,20	180	G 2	2x180	8,20

## NMTD SMART C - threaded pumps, twin version with NMTC communication module

Code	Type	EEl	Fitting length L [mm]	Pipe connection	Pmax [W]	Weight [kg]
979527147	NMTD SMART C 32/40-180	≤ 0,19	180	G 2	2x70	8,10
979527148	NMTD SMART C 32/60-180	≤ 0,21	180	G 2	2x110	8,10
979527149	NMTD SMART C 32/80-180	≤ 0,21	180	G 2	2x150	8,10
979523557	NMTD SMART C 32/100-180	≤ 0,20	180	G 2	2x180	8,10
979524593	NMTD SMART C 32/120-180	≤ 0,20	180	G 2	2x180	8,00

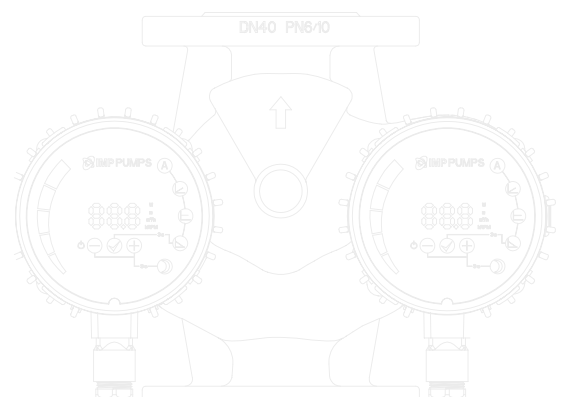


## NMTD SMART S - threaded pumps, twin version with SSR communication module

Code	Type	EEI	Fitting length L [mm]	Pipe connection	Pmax [W]	Weight [kg]
979525794	NMTD SMART S 32/40-180	≤ 0,19	180	G 2	2x70	8,10
979525795	NMTD SMART S 32/60-180	≤ 0,21	180	G 2	2x110	8,10
979525796	NMTD SMART S 32/80-180	≤ 0,21	180	G 2	2x150	8,10
979525797	NMTD SMART S 32/100-180	≤ 0,20	180	G 2	2x180	8,60
979525798	NMTD SMART S 32/120-180	≤ 0,20	180	G 2	2x180	8,60

## NMT SMART F - flanged pumps

Code	Type	EEI	Fitting length L [mm]	Pipe connection	Pmax [W]	Weight [kg]
979527132	NMT SMART 32/40 F220	≤ 0,19	220	DN32	70	6,40
979527133	NMT SMART 32/60 F220	≤ 0,21	220	DN32	110	6,40
979527134	NMT SMART 32/80 F220	≤ 0,21	220	DN32	150	6,40
979523284	NMT SMART 32/100 F220	≤ 0,20	220	DN32	180	6,40
979523667	NMT SMART 32/120 F220	≤ 0,20	220	DN32	180	6,50
979527135	NMT SMART 40/40 F220	≤ 0,19	220	DN40	70	7,60
979527136	NMT SMART 40/60 F220	≤ 0,21	220	DN40	110	7,60
979527137	NMT SMART 40/80 F220	≤ 0,21	220	DN40	150	7,60
979523285	NMT SMART 40/100 F220	≤ 0,20	220	DN40	180	7,50
979524541	NMT SMART 40/120 F220	≤ 0,20	220	DN40	180	7,80
979527165	NMT SMART 50/40 F240	≤ 0,19	240	DN50	70	8,80
979527166	NMT SMART 50/60 F240	≤ 0,21	240	DN50	110	8,80
979527167	NMT SMART 50/80 F240	≤ 0,21	240	DN50	150	8,80
979523286	NMT SMART 50/100 F240	≤ 0,20	240	DN50	180	8,80
979524542	NMT SMART 50/120 F240	≤ 0,20	240	DN50	180	9,40





## NMT SMART C F - flanged pumps with NMTC communication module

Code	Type	EEl	Fitting length L [mm]	Pipe connection	Pmax [W]	Weight [kg]
979527156	NMT SMART C 32/40 F220	≤ 0,19	220	DN32	70	6,40
979527157	NMT SMART C 32/60 F220	≤ 0,21	220	DN32	110	6,40
979527158	NMT SMART C 32/80 F220	≤ 0,21	220	DN32	150	6,40
979523368	NMT SMART C 32/100 F220	≤ 0,20	220	DN32	180	6,60
979524540	NMT SMART C 32/120 F220	≤ 0,20	220	DN32	180	7,50
979527159	NMT SMART C 40/40 F220	≤ 0,19	220	DN40	70	7,60
979527160	NMT SMART C 40/60 F220	≤ 0,21	220	DN40	110	7,60
979527161	NMT SMART C 40/80 F220	≤ 0,21	220	DN40	150	7,60
979523369	NMT SMART C 40/100 F220	≤ 0,20	220	DN40	180	7,80
979524543	NMT SMART C 40/120 F220	≤ 0,20	220	DN40	180	8,30
979527168	NMT SMART C 50/40 F240	≤ 0,19	240	DN50	70	8,80
979527169	NMT SMART C 50/60 F420	≤ 0,21	240	DN50	110	8,80
979527170	NMT SMART C 50/80 F240	≤ 0,21	240	DN50	150	8,80
979523370	NMT SMART C 50/100 F240	≤ 0,20	240	DN50	180	9,00
979524544	NMT SMART C 50/120 F240	≤ 0,20	240	DN50	180	8,90

## NMT SMART S F - flanged pumps with SSR communication module

Code	Type	EEl	Fitting length L [mm]	Pipe connection	Pmax [W]	Weight [kg]
979525809	NMT SMART S 32/40 F220	≤ 0,19	220	DN32	70	6,40
979525810	NMT SMART S 32/60 F220	≤ 0,21	220	DN32	110	6,40
979525811	NMT SMART S 32/80 F220	≤ 0,21	220	DN32	150	6,40
979525812	NMT SMART S 32/100 F220	≤ 0,20	220	DN32	180	6,50
979525813	NMT SMART S 32/120 F220	≤ 0,20	220	DN32	180	6,50
979525814	NMT SMART S 40/40 F220	≤ 0,19	220	DN40	70	7,60
979525815	NMT SMART S 40/60 F220	≤ 0,21	220	DN40	110	7,60
979525816	NMT SMART S 40/80 F220	≤ 0,21	220	DN40	150	7,60
979525817	NMT SMART S 40/100 F220	≤ 0,20	220	DN40	180	7,80
979525818	NMT SMART S 40/120 F220	≤ 0,20	220	DN40	180	7,80
979527586	NMT SMART S 50/40 F240	≤ 0,19	240	DN50	70	8,80
979527587	NMT SMART S 50/60 F420	≤ 0,21	240	DN50	110	8,80
979527588	NMT SMART S 50/80 F240	≤ 0,21	240	DN50	150	8,80
979525827	NMT SMART S 50/100 F240	≤ 0,20	240	DN50	180	9,00
979525828	NMT SMART S 50/120 F240	≤ 0,20	240	DN50	180	8,90

### NMTD SMART F - flanged pumps, twin version

Code	Type	EEI	Fitting length L [mm]	Pipe connection	P <sub>max</sub> [W]	Weight [kg]
979527138	NMTD SMART 40/40 F220	≤ 0,19	220	DN40	2x70	11,00
979527139	NMTD SMART 40/60 F220	≤ 0,21	220	DN40	2x110	11,00
979527140	NMTD SMART 40/80 F220	≤ 0,21	220	DN40	2x150	11,00
979523553	NMTD SMART 40/100 F220	≤ 0,20	220	DN40	2x180	11,00
979524545	NMTD SMART 40/120 F220	≤ 0,20	220	DN40	2x180	11,25

### NMTD SMART C F - flanged pumps, twin version with NMTC communication module

Code	Type	EEI	Fitting length L [mm]	Pipe connection	P <sub>max</sub> [W]	Weight [kg]
979527162	NMTD SMART C 40/40 F220	≤ 0,19	220	DN40	2x70	11,00
979527163	NMTD SMART C 40/60 F220	≤ 0,21	220	DN40	2x110	11,00
979527164	NMTD SMART C 40/80 F220	≤ 0,21	220	DN40	2x150	11,00
979523561	NMTD SMART C 40/100 F220	≤ 0,20	220	DN40	2x180	11,40
979524546	NMTD SMART C 40/120 F220	≤ 0,20	220	DN40	2x180	12,50

### NMTD SMART S F - flanged pumps, twin version with SSR communication module

Code	Type	EEI	Fitting length L [mm]	Pipe connection	P <sub>max</sub> [W]	Weight [kg]
979525819	NMTD SMART S 40/40 F220	≤ 0,19	220	DN40	2x70	11,00
979525820	NMTD SMART S 40/60 F220	≤ 0,21	220	DN40	2x110	11,00
979525821	NMTD SMART S 40/80 F220	≤ 0,21	220	DN40	2x150	11,00
979525822	NMTD SMART S 40/100 F220	≤ 0,20	220	DN40	2x180	12,50
979525823	NMTD SMART S 40/120 F220	≤ 0,20	220	DN40	2x180	12,50

## NMT SAN SMART - threaded bronze hydraulic pumps

Code	Type	EEl	Fitting length L [mm]	Pipe connection	Pmax [W]	Weight [kg]
979527126	NMT SAN SMART 25/40-180	≤ 0,19	180	G 1½	70	3,70
979527127	NMT SAN SMART 25/60-180	≤ 0,21	180	G 1½	110	3,70
979527128	NMT SAN SMART 25/80-180	≤ 0,21	180	G 1½	150	3,70
979524530	NMT SAN SMART 25/100-180	≤ 0,20	180	G 1½	180	3,80
979524531	NMT SAN SMART 25/120-180	≤ 0,20	180	G 1½	180	3,50
979527129	NMT SAN SMART 32/40-180	≤ 0,19	180	G 2	70	3,85
979527130	NMT SAN SMART 32/60-180	≤ 0,21	180	G 2	110	3,85
979527131	NMT SAN SMART 32/80-180	≤ 0,21	180	G 2	150	3,85
979524482	NMT SAN SMART 32/100-180	≤ 0,20	180	G 2	180	4,20
979524483	NMT SAN SMART 32/120-180	≤ 0,20	180	G 2	180	3,75

## NMT SAN SMART C - threaded bronze hydraulic pumps with NMTC communication module

Code	Type	EEl	Fitting length L [mm]	Pipe connection	Pmax [W]	Weight [kg]
979527150	NMT SAN SMART C 25/40-180	≤ 0,19	180	G 1½	70	3,70
979527151	NMT SAN SMART C 25/60-180	≤ 0,21	180	G 1½	110	3,70
979527152	NMT SAN SMART C 25/80-180	≤ 0,21	180	G 1½	150	3,70
979524535	NMT SAN SMART C 25/100-180	≤ 0,20	180	G 1½	180	4,00
979524536	NMT SAN SMART C 25/120-180	≤ 0,20	180	G 1½	180	3,85
979527153	NMT SAN SMART C 32/40-180	≤ 0,19	180	G 2	70	4,00
979527154	NMT SAN SMART C 32/60-180	≤ 0,21	180	G 2	110	3,85
979527155	NMT SAN SMART C 32/80-180	≤ 0,21	180	G 2	150	3,85
979524487	NMT SAN SMART C 32/100-180	≤ 0,20	180	G 2	180	3,85
979524488	NMT SAN SMART C 32/120-180	≤ 0,20	180	G 2	180	4,00

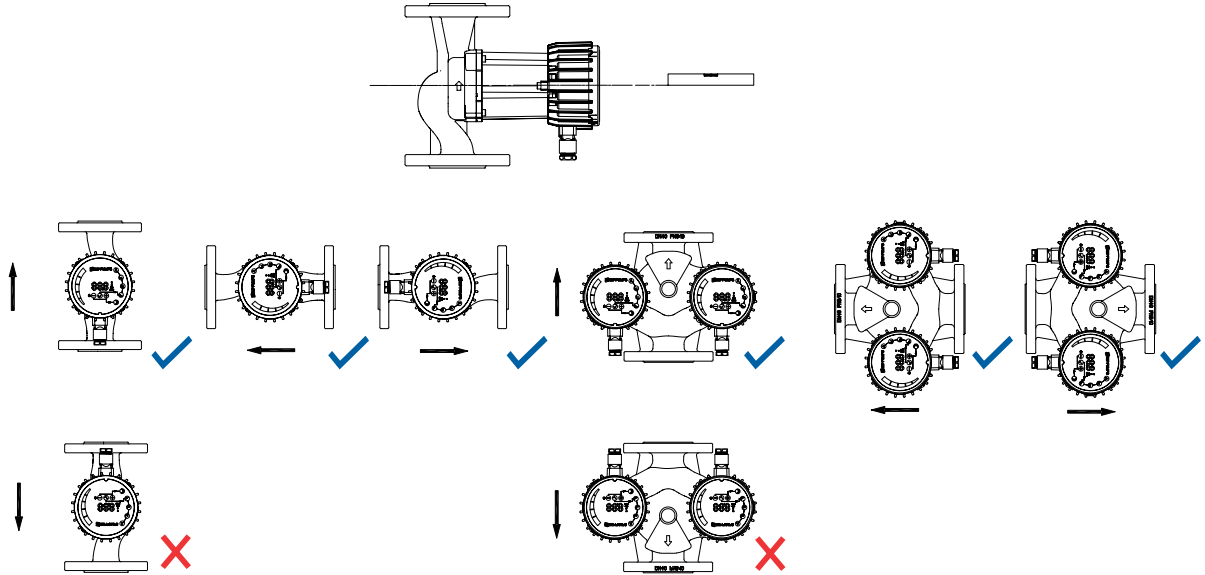
## NMT SAN SMART S - threaded bronze hydraulic pumps with SSR communication module

Code	Type	EEl	Fitting length L [mm]	Pipe connection	Pmax [W]	Weight [kg]
979525799	NMT SAN SMART S 25/40-180	≤ 0,20	180	G 1½	70	3,70
979525800	NMT SAN SMART S 25/60-180	≤ 0,20	180	G 1½	110	3,70
979525801	NMT SAN SMART S 25/80-180	≤ 0,20	180	G 1½	150	3,70
979525802	NMT SAN SMART S 25/100-180	≤ 0,20	180	G 1½	180	4,00
979525803	NMT SAN SMART S 25/120-180	≤ 0,20	180	G 1½	180	3,50
979525804	NMT SAN SMART S 32/40-180	≤ 0,20	180	G 2	70	3,85
979525805	NMT SAN SMART S 32/60-180	≤ 0,20	180	G 2	110	3,85
979525806	NMT SAN SMART S 32/80-180	≤ 0,20	180	G 2	150	3,85
979525807	NMT SAN SMART S 32/100-180	≤ 0,20	180	G 2	180	3,50
979525808	NMT SAN SMART S 32/120-180	≤ 0,20	180	G 2	180	4,00

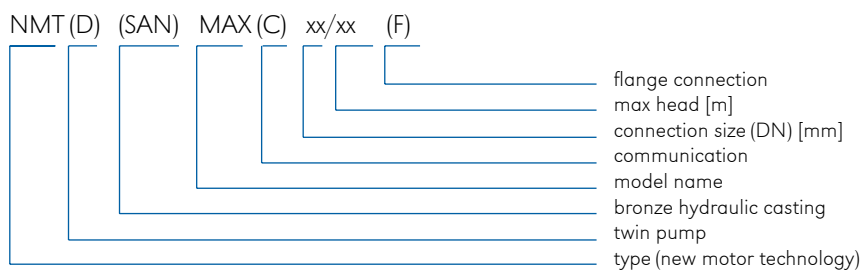
## Installation

After installing the pump, the motor shaft have to remain in horizontal position.

NMT(D) (SAN) SMART (C) (F)



## NMT MAX



### Electronically controlled wet running circulating pump

For all heating systems, air conditioning, closed cooling circuits and industrial systems, used in accordance with VDI 2035 and ErP.

#### High efficient wet running pump with auto adapt function

- ECM permanent magnet technology with high energy efficiency
- LED display for control
- built-in electric protection
- easy handling and instalation, low noise operation and automatic venting
- robust and compact construction for long life

#### Automatic operation

- Immediate adaptation to the system

#### Manual adjustment

- Proportional pressure, constant pressure, constant speed, night mode

#### Communication

NMT MAX - status relay feedback & remote on/off  
 NMT MAX C - with NMTC communication module (option):  
 Ethernet, Modbus RTU, analog control input 0-10V,  
 3 analog inputs/outputs, 1 relay output

#### Technical specification

Q <sub>max</sub>	up to 72,7 m <sup>3</sup> /h
H <sub>max</sub>	up to 18,9 m
P	PN 6/10 bar
DN	40/50/65/80/100
Installation	flange
Insulation class	F
Degree of protection	IP 44
Voltage	1 - 230V, 50 Hz

#### Minimum inlet pressure

0.05 bar <75 °C (fluid temperature)  
 0.28 bar <90 °C (fluid temperature)

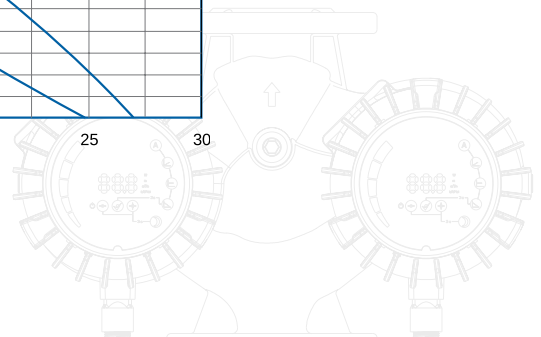
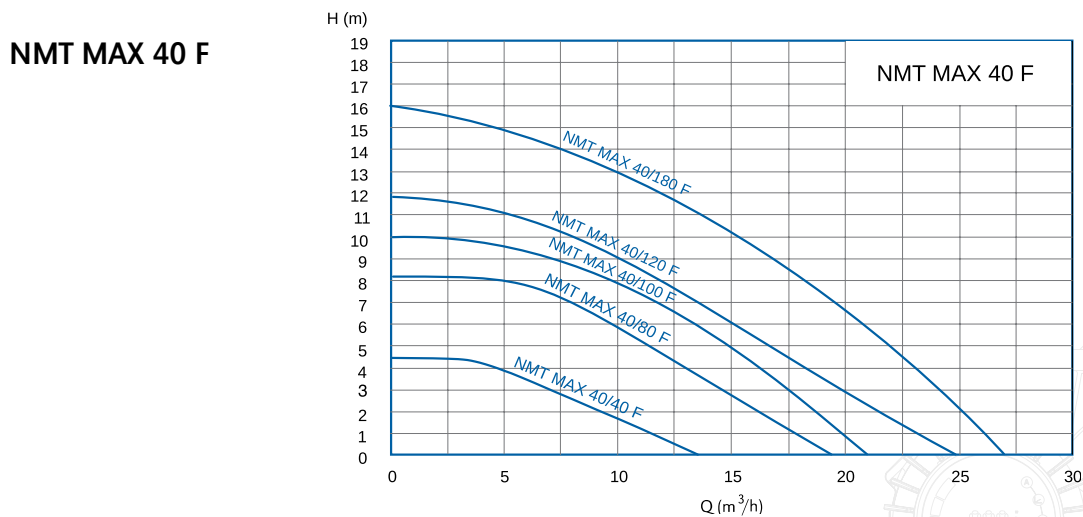
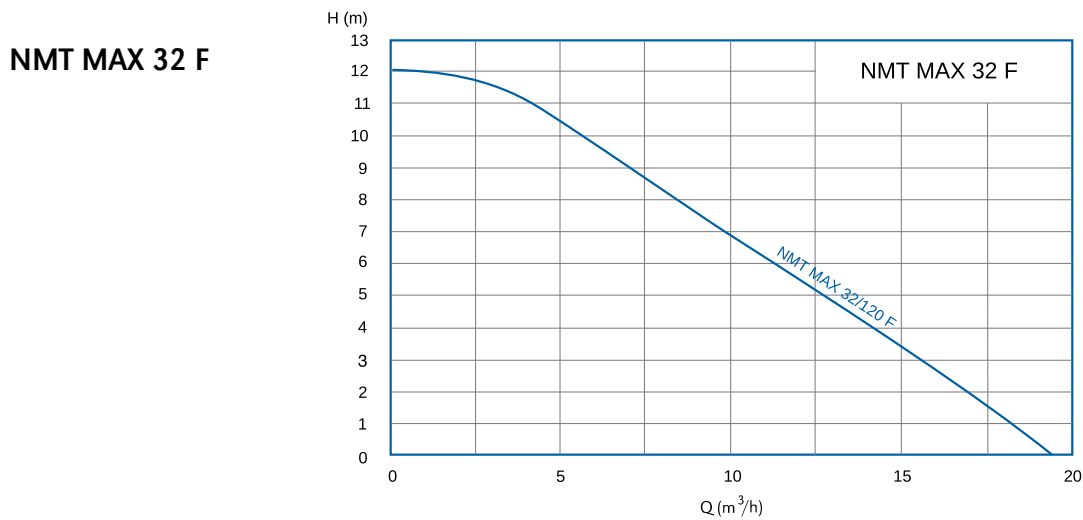
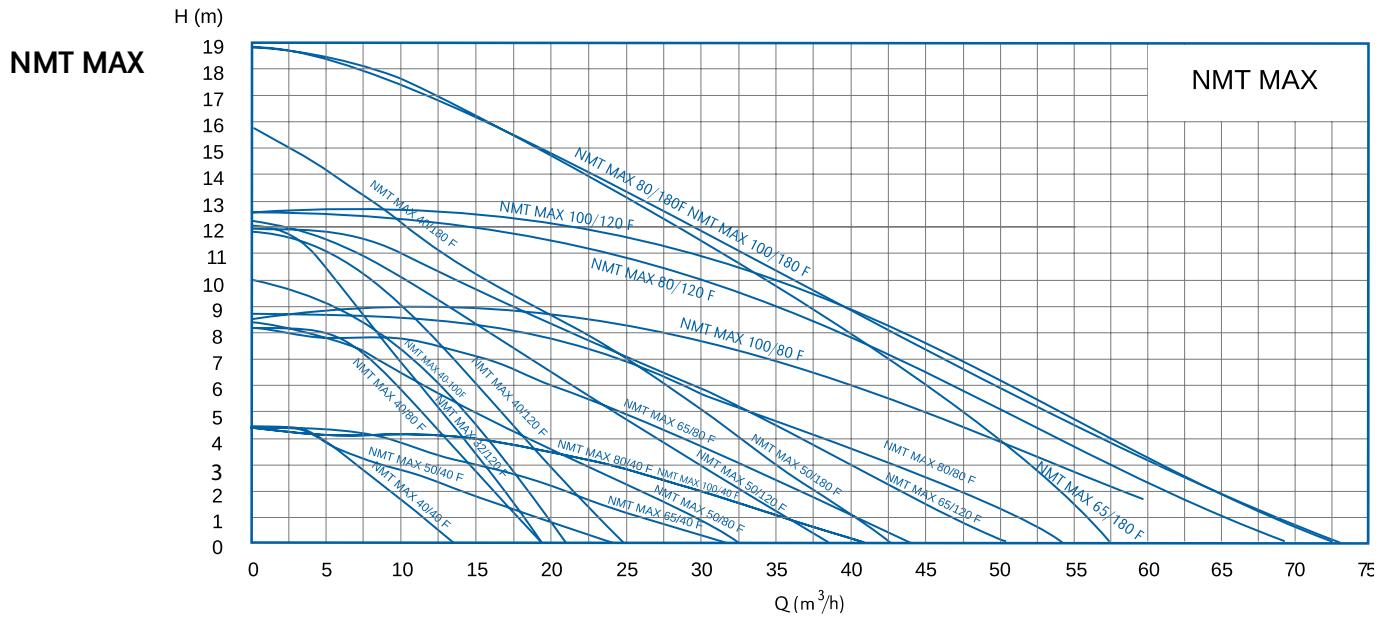
#### Material

Hydraulic casing	cast iron/bronze
Impeller	PES
Shaft	stainless steel AISI 316
Bearings	all carbon
Rotor can	stainless steel AISI 316

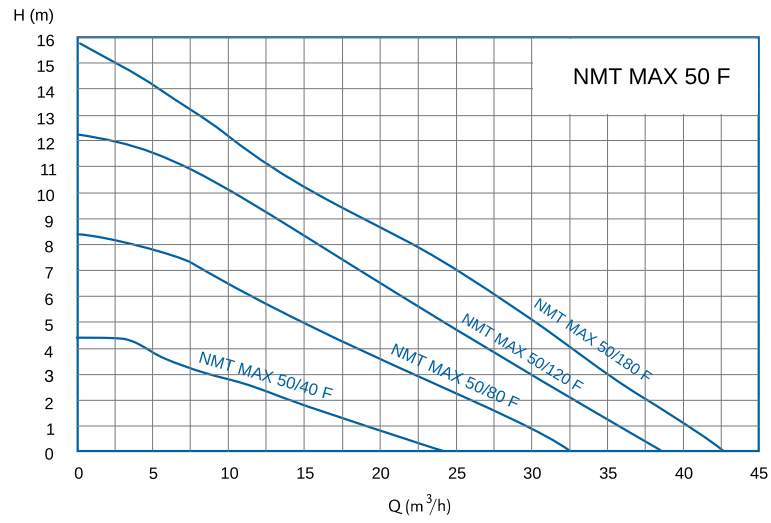
#### Permissible mediums

Water, mixed with glycol, parameters must be checked in the mixture of water with over 20% of glycol.  
 Pure, non-explosive liquid medium free of mineral oils and solid particles. Medium temperature from - 10 °C to + 110 °C,  
 ambient temperature with max. surroundings temperature 40 °C

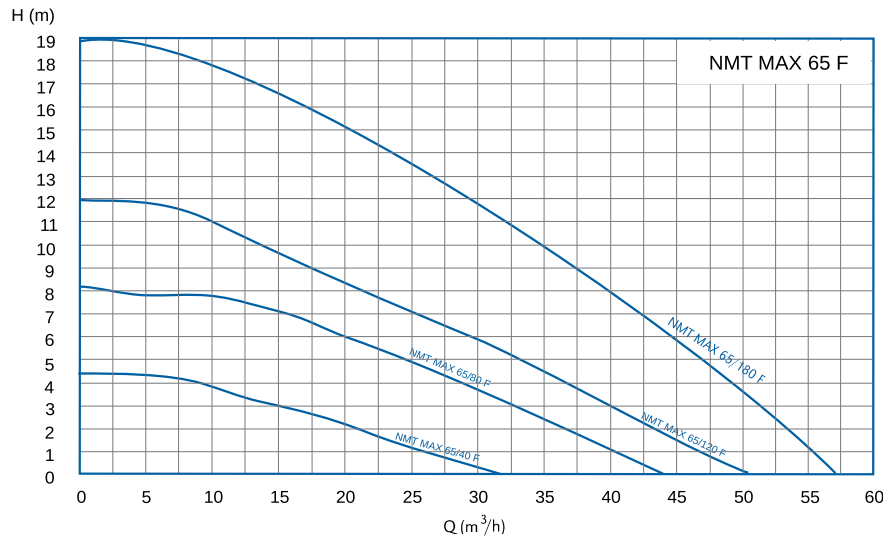
## Performance range



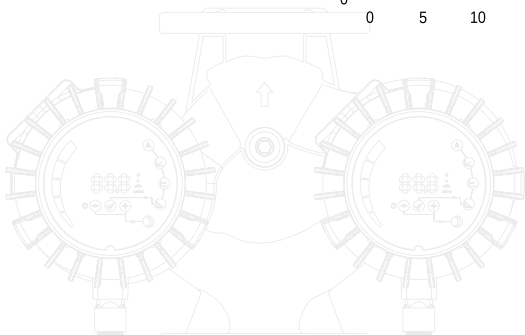
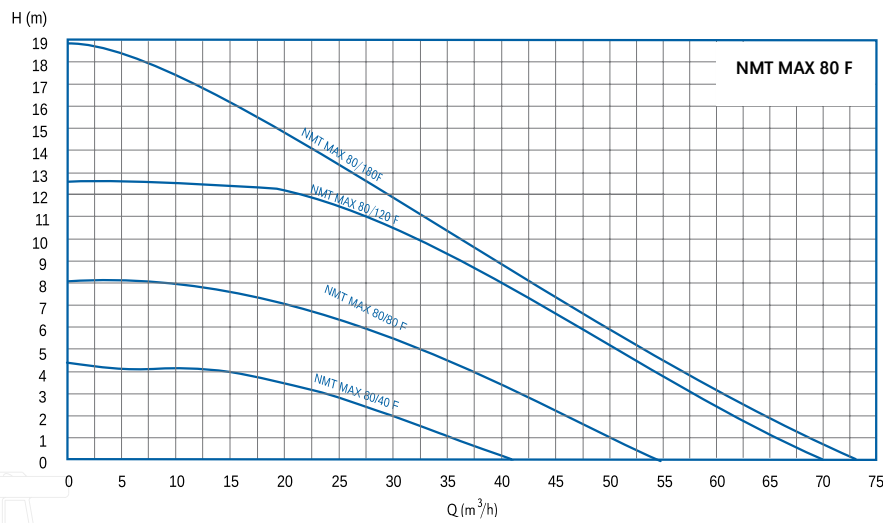
### NMT MAX 50 F



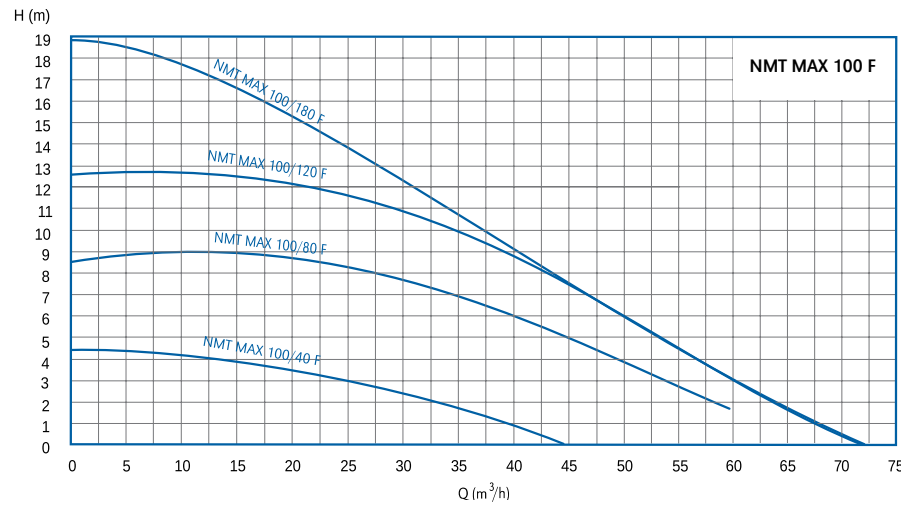
### NMT MAX 65 F



### NMT MAX 80 F



## NMT MAX 100 F



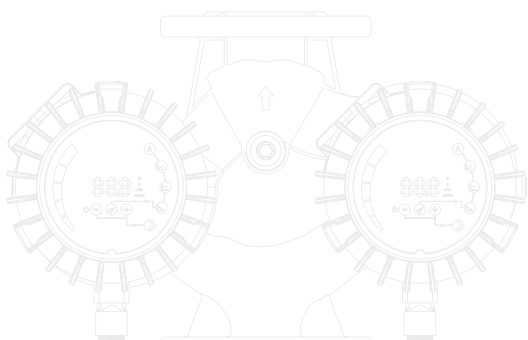
## NMT MAX - flanged pumps

Code	Type	EEI	Fitting length L [mm]	Pipe connection	PN	P <sub>max</sub> [W]	Weight [kg]
979524665	NMT MAX 32/120 F220	≤ 0,20	220	DN32	PN6/10	370	9,80
979523694	NMT MAX 40/40 F220	≤ 0,20	220	DN40	PN6/10	110	9,80
979524027	NMT MAX 40/40 F250	≤ 0,20	250	DN40	PN6/10	110	9,80
979523863	NMT MAX 40/80 F220	≤ 0,20	220	DN40	PN6/10	270	9,80
979523861	NMT MAX 40/80 F250	≤ 0,20	250	DN40	PN6/10	270	9,80
979523864	NMT MAX 40/100 F220	≤ 0,20	220	DN40	PN6/10	380	9,80
979523862	NMT MAX 40/100 F250	≤ 0,20	250	DN40	PN6/10	380	9,80
979523839	NMT MAX 40/120 F220	≤ 0,20	220	DN40	PN6/10	480	9,50
979523502	NMT MAX 40/120 F250	≤ 0,20	250	DN40	PN6/10	480	9,80
979524492	NMT MAX 40/180 F220	≤ 0,21	220	DN40	PN6/10	680	14,30
979524490	NMT MAX 40/180 F250	≤ 0,21	250	DN40	PN6/10	680	15,20
979524522	NMT MAX 50/40 F280	≤ 0,20	280	DN50	PN6/10	160	11,00
979524547	NMT MAX 50/80 F280	≤ 0,20	280	DN50	PN6/10	370	12,50
979523869	NMT MAX 50/120 F280	≤ 0,20	280	DN50	PN6/10	560	13,70
979524898	NMT MAX 50/180 F280	≤ 0,20	280	DN50	PN6/10	830	15,75
979524756	NMT MAX 65/40 F340	≤ 0,20	340	DN65	PN6/10	230	16,50
979524757	NMT MAX 65/80 F340	≤ 0,20	340	DN65	PN6/10	560	16,50
979524758	NMT MAX 65/120 F340	≤ 0,20	340	DN65	PN6/10	810	19,60
979524774	NMT MAX 80/40 F360 PN6	≤ 0,20	360	DN80	PN6	390	26,60
979524780	NMT MAX 80/40 F360 PN10	≤ 0,20	360	DN80	PN10	390	26,60
979524775	NMT MAX 80/80 F360 PN6	≤ 0,20	360	DN80	PN6	800	26,60
979524781	NMT MAX 80/80 F360 PN10	≤ 0,20	360	DN80	PN10	800	25,30
979525155	NMT MAX 100/40 F450 PN6	≤ 0,20	450	DN100	PN6	390	26,40
979525159	NMT MAX 100/40 F450 PN10	≤ 0,20	450	DN100	PN10	390	26,40



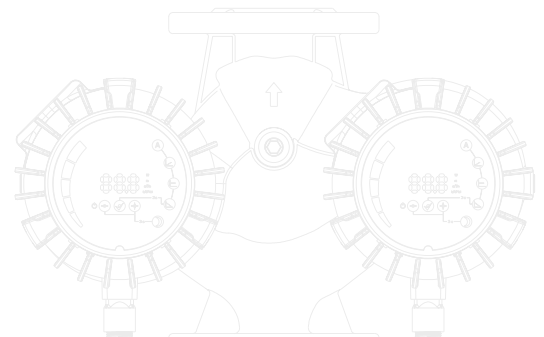
## NMT MAX C - flanged fump with NMTC communication module

Code	Type	EEI	Fitting length L [mm]	Pipe connection	PN	P <sub>max</sub> [W]	Weight [kg]
979524666	NMT MAX C 32/120 F220	≤ 0,20	220	DN32	PN6/10	370	9,80
979524026	NMT MAX C 40/40 F220	≤ 0,20	220	DN40	PN6/10	110	9,80
979523695	NMT MAX C 40/40 F250	≤ 0,20	250	DN40	PN6/10	110	9,80
979523867	NMT MAX C 40/80 F220	≤ 0,20	220	DN40	PN6/10	270	9,40
979523865	NMT MAX C 40/80 F250	≤ 0,20	250	DN40	PN6/10	270	9,80
979523868	NMT MAX C 40/100 F220	≤ 0,20	220	DN40	PN6/10	380	9,80
979523866	NMT MAX C 40/100 F250	≤ 0,20	250	DN40	PN6/10	380	10,50
979523840	NMT MAX C 40/120 F220	≤ 0,20	220	DN40	PN6/10	480	9,75
979523503	NMT MAX C 40/120 F250	≤ 0,20	250	DN40	PN6/10	480	10,50
979524493	NMT MAX C 40/180 F220	≤ 0,21	220	DN40	PN6/10	680	14,70
979524491	NMT MAX C 40/180 F250	≤ 0,21	250	DN40	PN6/10	680	15,50
979524523	NMT MAX C 50/40 F280	≤ 0,20	280	DN50	PN6/10	160	11,00
979524548	NMT MAX C 50/80 F280	≤ 0,20	280	DN50	PN6/10	370	12,50
979524028	NMT MAX C 50/120 F280	≤ 0,20	280	DN50	PN6/10	560	13,10
979524939	NMT MAX C 50/180 F280	≤ 0,20	280	DN50	PN6/10	830	15,75
979524762	NMT MAX C 65/40 F340	≤ 0,20	340	DN65	PN6/10	230	16,50
979524763	NMT MAX C 65/80 F340	≤ 0,20	340	DN65	PN6/10	560	16,50
979524764	NMT MAX C 65/120 F340	≤ 0,20	340	DN65	PN6/10	810	19,60
979524945	NMT MAX C 65/180 F340	≤ 0,20	340	DN65	PN6/10	1550	23,80
979524777	NMT MAX C 80/40 F360 PN6	≤ 0,20	360	DN80	PN6	390	26,60
979524783	NMT MAX C 80/40 F360 PN10	≤ 0,20	360	DN80	PN10	390	25,30
979524778	NMT MAX C 80/80 F360 PN6	≤ 0,20	360	DN80	PN6	800	26,80
979524784	NMT MAX C 80/80 F360 PN10	≤ 0,20	360	DN80	PN10	800	25,30
979524779	NMT MAX C 80/120 F360 PN6	≤ 0,20	360	DN80	PN6	1380	30,00
979524785	NMT MAX C 80/120 F360 PN10	≤ 0,20	360	DN80	PN10	1380	30,00
979524912	NMT MAX C 80/180 F360 PN6	≤ 0,20	360	DN80	PN6	1550	30,00
979524913	NMT MAX C 80/180 F360 PN10	≤ 0,20	360	DN80	PN10	1550	30,00
979525163	NMT MAX C 100/40 F450 PN6	≤ 0,20	450	DN100	PN6	390	26,40
979525167	NMT MAX C 100/40 F450 PN10	≤ 0,20	450	DN100	PN10	390	26,40
979525164	NMT MAX C 100/80 F450 PN6	≤ 0,20	450	DN100	PN6	1100	35,10
979525168	NMT MAX C 100/80 F450 PN10	≤ 0,20	450	DN100	PN10	1100	35,10
979525157	NMT MAX C 100/120 F450 PN6	≤ 0,20	450	DN100	PN6	1550	35,10
979525169	NMT MAX C 100/120 F450 PN10	≤ 0,20	450	DN100	PN10	1550	35,10
979525166	NMT MAX C 100/180 F450 PN6	≤ 0,20	450	DN100	PN6	1550	35,10
979525170	NMT MAX C 100/180 F450 PN10	≤ 0,20	450	DN100	PN10	1550	35,10



## NMTD MAX - twin pump

Code	Type	EI	Fitting length L [mm]	Pipe connection	PN	P <sub>max</sub> [W]	Weight [kg]
979524667	NMTD MAX 32/120 F220	≤ 0,22	220	DN32	PN6/10	2x370	16,95
979524032	NMTD MAX 40/40 F220	≤ 0,20	220	DN40	PN6/10	2x110	14,30
979524034	NMTD MAX 40/40 F250	≤ 0,20	250	DN40	PN6/10	2x110	14,14
979524518	NMTD MAX 40/80 F220	≤ 0,21	220	DN40	PN6/10	2x270	17,35
979524519	NMTD MAX 40/80 F250	≤ 0,21	250	DN40	PN6/10	2x270	17,00
979525841	NMTD MAX 40/100 F220	≤ 0,20	220	DN40	PN6/10	2x380	16,90
979525843	NMTD MAX 40/100 F250	≤ 0,20	250	DN40	PN6/10	2x380	16,90
979523708	NMTD MAX 40/120 F220	≤ 0,20	220	DN40	PN6/10	2x480	17,00
979523710	NMTD MAX 40/120 F250	≤ 0,20	250	DN40	PN6/10	2x480	18,50
979524496	NMTD MAX 40/180 F220	≤ 0,21	220	DN40	PN6/10	2x680	24,80
979524494	NMTD MAX 40/180 F250	≤ 0,21	250	DN40	PN6/10	2x680	25,70
979524524	NMTD MAX 50/40 F280	≤ 0,20	280	DN50	PN6/10	2x160	26,00
979524549	NMTD MAX 50/80 F280	≤ 0,22	280	DN50	PN6/10	2x370	23,00
979523997	NMTD MAX 50/120 F280	≤ 0,20	280	DN50	PN6/10	2x560	25,50
979524940	NMTD MAX 50/180 F280	≤ 0,20	280	DN50	PN6/10	2x830	29,03
979524768	NMTD MAX 65/40 F340	≤ 0,22	340	DN65	PN6/10	2x230	33,00
979524769	NMTD MAX 65/80 F340	≤ 0,22	340	DN65	PN6/10	2x560	33,00
979524770	NMTD MAX 65/120 F340	≤ 0,20	340	DN65	PN6/10	2x810	38,00
979524786	NMTD MAX 80/40 F360 PN6	≤ 0,20	360	DN80	PN6	2x390	42,70
979524792	NMTD MAX 80/40 F360 PN10	≤ 0,20	360	DN80	PN10	2x390	42,50
979524787	NMTD MAX 80/80 F360 PN6	≤ 0,20	360	DN80	PN6	2x800	47,50
979524793	NMTD MAX 80/80 F360 PN10	≤ 0,20	360	DN80	PN10	2x800	47,50
979525171	NMTD MAX 100/40 F450 PN6	≤ 0,20	450	DN100	PN6	2x390	53,00
979525175	NMTD MAX 100/40 F450 PN10	≤ 0,20	450	DN100	PN10	2x390	53,00



## NMTD MAX C - twin pump with NMTC communication module

Code	Type	EEl	Fitting length L [mm]	Pipe connection	PN	P <sub>max</sub> [W]	Weight [kg]
979524668	NMTD MAX C 32/120 F220	≤ 0,22	220	DN32	PN6/10	2x370	16,30
979524033	NMTD MAX C 40/40 F220	≤ 0,20	220	DN40	PN6/10	2x110	14,30
979524035	NMTD MAX C 40/40 F250	≤ 0,20	250	DN40	PN6/10	2x110	9,80
979524520	NMTD MAX C 40/80 F220	≤ 0,21	220	DN40	PN6/10	2x270	16,30
979524521	NMTD MAX C 40/80 F250	≤ 0,21	250	DN40	PN6/10	2x270	20,00
979525842	NMTD MAX C 40/100 F220	≤ 0,20	220	DN40	PN6/10	2x380	16,90
979525844	NMTD MAX C 40/100 F250	≤ 0,20	250	DN40	PN6/10	2x380	16,90
979523709	NMTD MAX C 40/120 F220	≤ 0,20	220	DN40	PN6/10	2x480	16,90
979523711	NMTD MAX C 40/120 F250	≤ 0,20	250	DN40	PN6/10	2x480	17,10
979524497	NMTD MAX C 40/180 F220	≤ 0,21	220	DN40	PN6/10	2x680	25,05
979524495	NMTD MAX C 40/180 F250	≤ 0,21	250	DN40	PN6/10	2x680	25,50
979524525	NMTD MAX C 50/40 F280	≤ 0,20	280	DN50	PN6/10	2x160	26,00
979524550	NMTD MAX C 50/80 F280	≤ 0,22	280	DN50	PN6/10	2x370	23,30
979524029	NMTD MAX C 50/120 F280	≤ 0,20	280	DN50	PN6/10	2x560	23,30
979524941	NMTD MAX C 50/180 F280	≤ 0,20	280	DN50	PN6/10	2x830	29,10
979524771	NMTD MAX C 65/40 F340	≤ 0,22	340	DN65	PN6/10	2x230	37,50
979524772	NMTD MAX C 65/80 F340	≤ 0,22	340	DN65	PN6/10	2x560	33,20
979524773	NMTD MAX C 65/120 F340	≤ 0,20	340	DN65	PN6/10	2x810	38,00
979524947	NMTD MAX C 65/180 F340	≤ 0,20	340	DN65	PN6/10	2x1550	47,50
979524789	NMTD MAX C 80/40 F360 PN6	≤ 0,20	360	DN80	PN6	2x390	43,20
979524795	NMTD MAX C 80/40 F360 PN10	≤ 0,20	360	DN80	PN10	2x390	43,00
979524790	NMTD MAX C 80/80 F360 PN6	≤ 0,20	360	DN80	PN6	2x800	48,40
979524796	NMTD MAX C 80/80 F360 PN10	≤ 0,20	360	DN80	PN10	2x800	48,90
979524791	NMTD MAX C 80/120 F360 PN6	≤ 0,20	360	DN80	PN6	2x1380	56,50
979524797	NMTD MAX C 80/120 F360 PN10	≤ 0,20	360	DN80	PN10	2x1380	55,70
979524916	NMTD MAX C 80/180 F360 PN6	≤ 0,20	360	DN80	PN6	2x1550	56,50
979524917	NMTD MAX C 80/180 F360 PN10	≤ 0,20	360	DN80	PN10	2x1550	55,70
979525179	NMTD MAX C 100/40 F450 PN6	≤ 0,20	450	DN100	PN6	2x390	53,00
979525183	NMTD MAX C 100/40 F450 PN10	≤ 0,20	450	DN100	PN10	2x390	53,00
979525180	NMTD MAX C 100/80 F450 PN6	≤ 0,20	450	DN100	PN6	2x1100	59,50
979525184	NMTD MAX C 100/80 F450 PN10	≤ 0,20	450	DN100	PN10	2x1100	59,00
979525181	NMTD MAX C 100/120 F450 PN6	≤ 0,20	450	DN100	PN6	2x1550	59,50
979525185	NMTD MAX C 100/120 F450 PN10	≤ 0,20	450	DN100	PN10	2x1550	59,00
979525182	NMTD MAX C 100/180 F450 PN6	≤ 0,20	450	DN100	PN6	2x1550	59,50
979525186	NMTD MAX C 100/180 F450 PN10	≤ 0,20	450	DN100	PN10	2x1550	59,00

## NMT SAN MAX - bronze hydraulic pumps

Code	Type	EEl	Fitting length L [mm]	Pipe connection	PN	P <sub>max</sub> [W]	Weight [kg]
979524892	NMT SAN MAX 40/40 F250	≤ 0,20	250	DN40	PN6/10	110	13,50
979524556	NMT SAN MAX 40/80 F250	≤ 0,20	250	DN40	PN6/10	270	12,50
979524557	NMT SAN MAX 40/120 F250	≤ 0,20	250	DN40	PN6/10	480	12,80
979524891	NMT SAN MAX 40/180 F250	≤ 0,21	250	DN40	PN6/10	680	17,50
979524896	NMT SAN MAX 50/40 F280	≤ 0,20	280	DN50	PN6/10	160	14,00
979524560	NMT SAN MAX 50/80 F280	≤ 0,20	280	DN50	PN6/10	370	16,00
979524561	NMT SAN MAX 50/120 F280	≤ 0,20	280	DN50	PN6/10	560	16,00
979524942	NMT SAN MAX 50/180 F280	≤ 0,20	280	DN50	PN6/10	830	19,75
979524759	NMT SAN MAX 65/40 F340	≤ 0,20	340	DN65	PN6/10	230	18,50
979524760	NMT SAN MAX 65/80 F340	≤ 0,22	340	DN65	PN6/10	560	18,50
979524761	NMT SAN MAX 65/120 F340	≤ 0,20	340	DN65	PN6/10	810	21,60

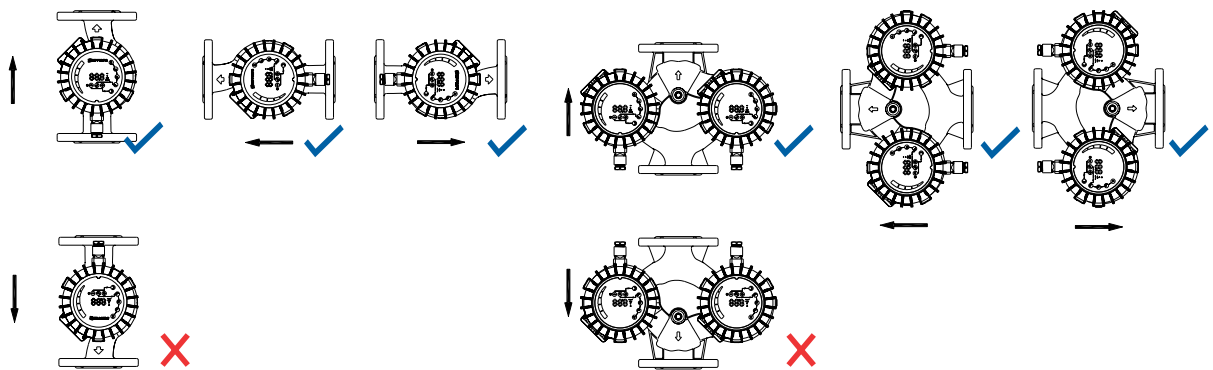
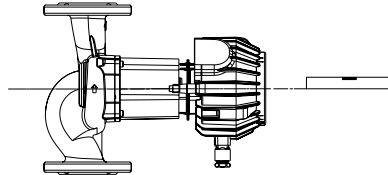
## NMT SAN MAX C - bronze hydraulic pumps with NMTC communication module

Code	Type	EEl	Fitting length L [mm]	Pipe connection	PN	P <sub>max</sub> [W]	Weight [kg]
979524894	NMT SAN MAX C 40/40 F250	≤ 0,20	250	DN40	PN6/10	110	13,00
979524558	NMT SAN MAX C 40/80 F250	≤ 0,20	250	DN40	PN6/10	270	12,00
979524559	NMT SAN MAX C 40/120 F250	≤ 0,20	250	DN40	PN6/10	480	12,00
979524893	NMT SAN MAX C 40/180 F250	≤ 0,21	250	DN40	PN6/10	680	17,50
979524897	NMT SAN MAX C 50/40 F280	≤ 0,20	280	DN50	PN6/10	160	14,00
979524562	NMT SAN MAX C 50/80 F280	≤ 0,20	280	DN50	PN6/10	370	19,50
979524563	NMT SAN MAX C 50/120 F280	≤ 0,20	280	DN50	PN6/10	560	16,50
979524943	NMT SAN MAX C 50/180 F280	≤ 0,20	280	DN50	PN6/10	830	19,75
979524765	NMT SAN MAX C 65/40 F340	≤ 0,20	340	DN65	PN6/10	230	18,50
979524766	NMT SAN MAX C 65/80 F340	≤ 0,22	340	DN65	PN6/10	560	18,50
979524767	NMT SAN MAX C 65/120 F340	≤ 0,20	340	DN65	PN6/10	810	21,60
979524949	NMT SAN MAX C 65/180 F340	≤ 0,20	340	DN65	PN6/10	1550	25,00

## Installation

After installing the pump, the motor shaft have to remain in horizontal position.

NMT(D) (SAN) MAX (C) F



## SAN - pumps for sanitary water



SAN xx / xx - 130 (180)



### SAN xx / xx - 130 (180)

- 3-speed pump for circulating water
- Bronze body
- robust construction
- maintenance-free operation

#### Minimum inlet pressure

0.05 bar < 75 °C (fluid temperature)  
0.28 bar < 90 °C (fluid temperature)

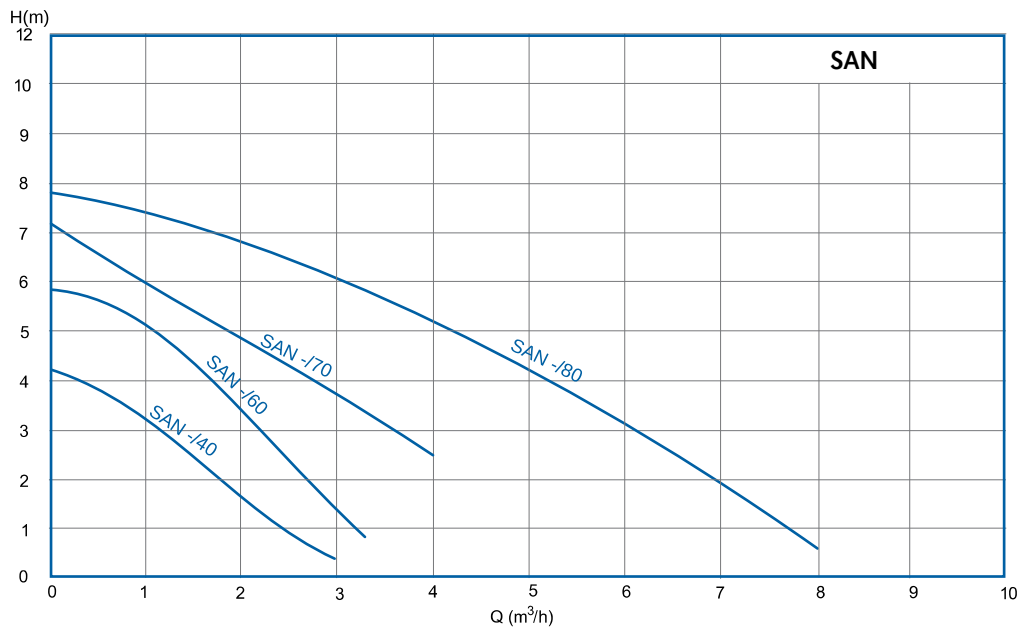
#### Technical specification

Q <sub>max</sub>	up to 8,4 m <sup>3</sup> /h
H <sub>max</sub>	up to 8 m
DN	15/20/25/32
Pipe connection	G 1 / G 1 ¼ / G 1 ½ / G 2
Installation	threaded
Insulation class	H
Degree of protection	IP 44
Voltage	1 ~ 230V, 50 Hz

#### Material

Hydraulic casing	bronze
Impeller	polyamid, PES
Shaft	stainless steel AISI 316
Bearings	all carbon
Rotor can	stainless steel AISI 316

## Performance range



## SAN - 3-speed pumps for sanitary water (bronze hydraulic)

Code	Type	Fitting length L [mm]	Pipe connection	Pmax [W]	Weight [kg]
979521765	SAN 15/40-130	130	G 1	75	2,30
979521766	SAN 20/40-130	130	G 1 ¼	75	2,40
979521767	SAN 25/40-130	130	G 1 ½	75	2,50
979521768	SAN 15/60-130	130	G 1	90	2,40
979521769	SAN 20/60-130	130	G 1 ¼	90	2,50
979521770	SAN 25/60-130	130	G 1 ½	90	2,65
979522018	SAN 20/70-130	130	G 1 ¼	140	2,60
979522006	SAN 25/70-130	130	G 1 ½	140	2,65
979523509	SAN 25/60-180	180	G 1 ½	90	2,90
979523510	SAN 32/80-180	180	G 2	210	5,10

## SAN ECO PRO - pumps for sanitary water



SAN ECO PRO    xx / xx    B(TU)



### SAN ECO PRO 15/15

High efficient, manually adjustable circulating pumps for hot water.  
 The spherical motor - without shaft.  
 Bronze hydraulics for sanitary use.

#### 4 versions of pumps:

- B        basic version
- BT      with thermostat (range 20 - 70 °C)
- BU      with timer
- BTU     with thermostat (range 20 - 70 °C) and timer

#### Operating temperature

ambient: 0 - 50°C  
 fluid: 5 - 95°C

#### Technical specification

Q <sub>max</sub>	up to 1,2 m <sup>3</sup> /h
H <sub>max</sub>	up to 0,8 m
DN	15
Pipe connection	G 1
Installation	threaded
Insulation class	F
Degree of protection	IP 44
Voltage	1 - 230V, 50 Hz



**B - basic version**



**BT - with thermostat (20°C - 70°C)**



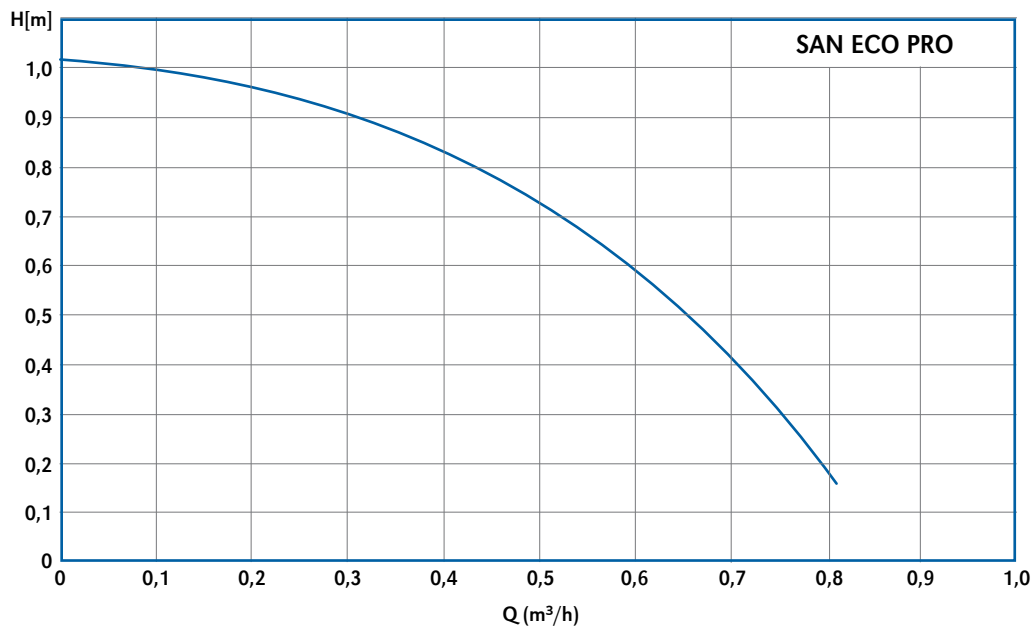
**BU - with timer**



**BTU - with thermostat (20°C - 70°C)  
and timer**



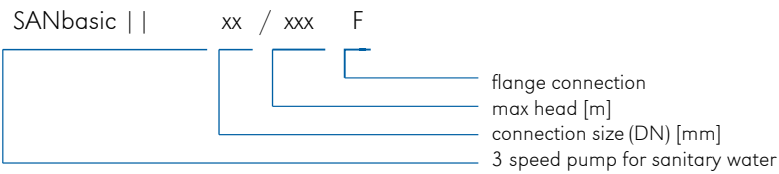
## Performance range



## SAN ECO PRO - circulating pumps for sanitary water

Code	Type	Fitting length L [mm]	Pipe connection	Pmax [W]	Weight [kg]
979527868	SAN ECO PRO 15/15 B	65	G 1	10	0,85
979527869	SAN ECO PRO 15/15 BU	65	G 1	10	0,85
979527870	SAN ECO PRO 15/15 BTU	65	G 1	10	0,85
979527871	SAN ECO PRO 15/15 BT	65	G 1	10	0,85

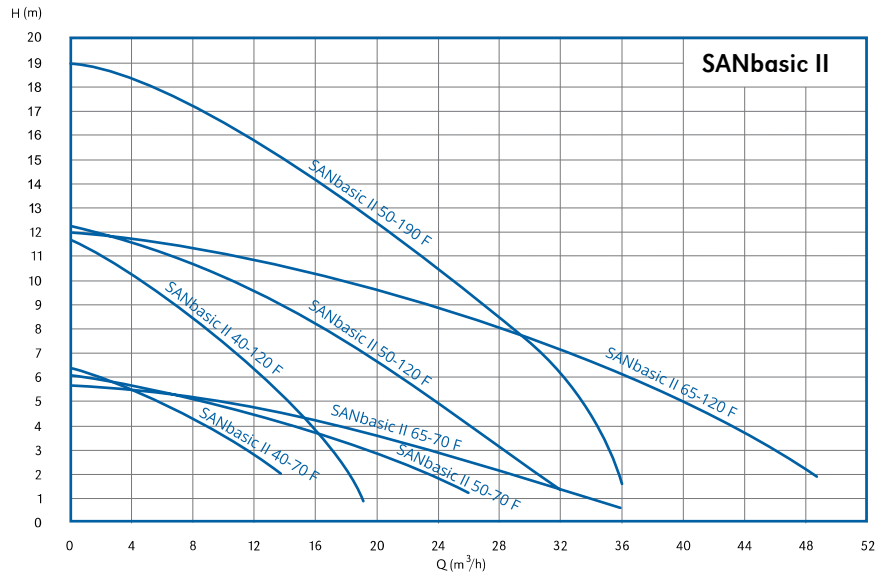
## SANbasic II F – Flange pump for sanitary water



### 3-speed pumps for sanitary water

Flanged, bronze hydraulic, standard voltage 400V (230V optional)

### Performance range



### SANbasic II - 3-speed flange pumps

Code	Type	Fitting length L [mm]	Pipe connection	PN	Pmax [W]	Weight [kg]
979524616	SANbasic II 40-120 F250	250	DN40	PN6/10	573	20,50
979524617	SANbasic II 40-70 F250	250	DN40	PN6/10	317	20,30
979524622	SANbasic II 50-190 F280	280	DN50	PN6/10	1596	27,10
979524618	SANbasic II 50-120 F280	280	DN50	PN6/10	1085	26,60
979524619	SANbasic II 50-70 F280	280	DN50	PN6/10	465	27,30
979524620	SANbasic II 65-120 F340	340	DN65	PN6/10	1522	32,20
979524621	SANbasic II 65-70 F340	340	DN65	PN6/10	578	30,00

## NMT PLUS COMFORT - THE HOME PRESSURE BOOSTER

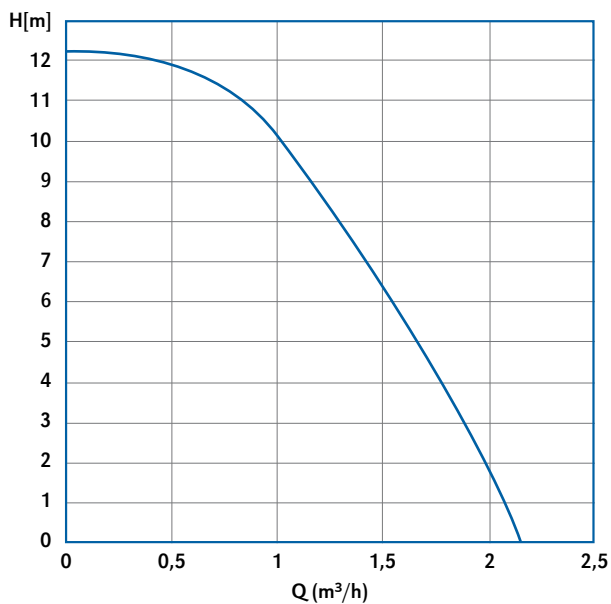


**NMT PLUS COMFORT**  
 15/120-130  
 979527308



**NMT PLUS COMFORT INOX**  
 15/120-130  
 coming soon

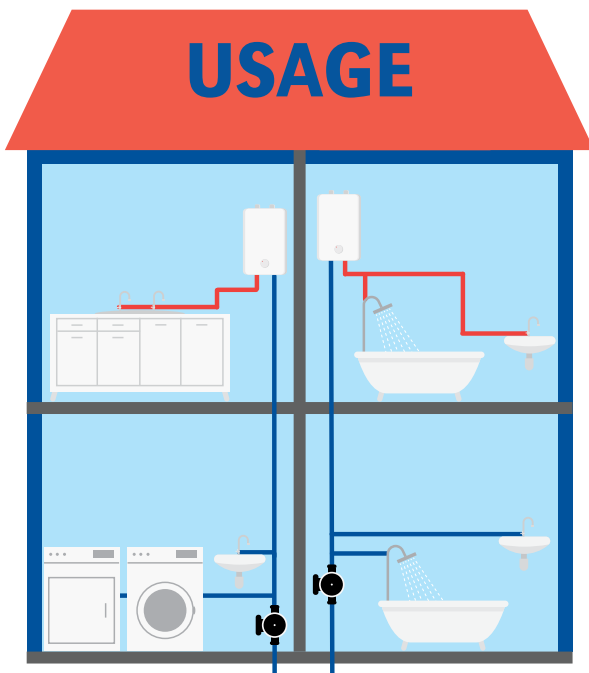
### Performance range



### Technical specification

Q <sub>max</sub>	up to 2,2 m <sup>3</sup> /h
H <sub>max</sub>	up to 12,2 m
DN	15
Pipe connection	G 1
Installation	threaded
Insulation class	F
Degree of protection	IP 44
Voltage	1 - 230V, 50 Hz
P <sub>max</sub> [W]	100
I <sub>max</sub> [A]	0,8
Ambient temperature	+5°C to +40°C
Medium temperature	+5°C to +95°C

## USAGE



### Advantages:

- Automatic pressure boosting to satisfy water needs
- Inverter motor for high efficiency and total control
- ON/OFF button
- Low energy consumption
- Silent functioning
- No presence of a mechanical flow switch (no noise and a lower possibility of faults)
- Ceramic shaft and bearings for a longer working life
- Optional adapter for 200mm fitting length

***THE HONEST PRODUCT  
FOR THE HONEST PRICE***

*IMP PUMPS d.o.o.  
Pod hrasti 28  
1218 Komenda  
SLOVENIA*

*E: [info@imp-pumps.com](mailto:info@imp-pumps.com)  
T: +386 1 28 06 400  
F: +386 1 28 06 460  
[www.imp-pumps.com](http://www.imp-pumps.com)*

*Contact:*



**IMP PUMPS®**  
Intelligent Motor Pumps