



IMPPUMPS[®]

Intelligent Motor Pumps

www.imp-pumps.com

75
YEARS



DISTRIBUTION & REGULATING GROUPS WITH GHN PUMPS



DISTRIBUTION & REGULATING GROUPS

ADVANTAGES:

- ➔ EASY INSTALLATION AND MAINTENANCE
- ➔ COMPACT SOLUTION
- ➔ MULTIFUNCTION
- ➔ EVERYTHING UNDER CONTROL
- ➔ INSULATION INCLUDED
- ➔ 3 GROUP MODELS

Direct distribution groups



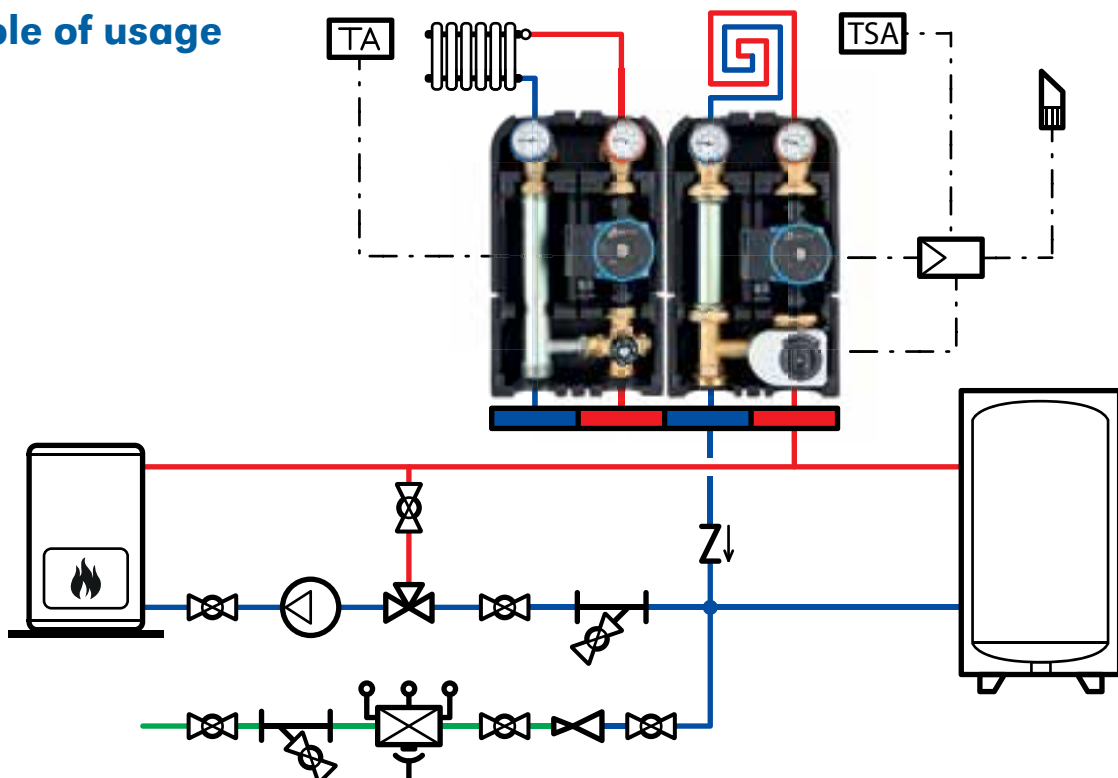
Regulating group with thermostatic mixing valve



Regulating group with 3-way mixing valve



Example of usage



Direct distribution groups

Direct distribution group - reversible - DN 15/25/32 - without connections for by-pass.
 Male and female thread on system side connections.

Max working temperature: 110 °C

Max working pressure: 10 bar

Connection centre distance: DN15 - 90 mm; DN25 - 125 mm; DN32 - 125 mm

Code	Pumps	kv	Size
7997309	GHN 15/60-130	/	G 1 M - (G 1 M+G 3/4 F)
7997312	GHN 25/60-180	/	G 1 1/2 M - G 1 F
7997315	GHN 32/80-180	/	G 2 M - G 1 1/4 F



Regulating group with thermostatic mixing valve

Regulating group with thermostatic mixing valve - reversible - DN 15/25/32 - without connections for by-pass. Male and female thread on system side connections.

Max working temperature: 110 °C

Max working pressure: 10 bar

Connection centre distance: DN15 - 90 mm; DN25 - 125 mm; DN32 - 125 mm

Flow coefficient Kv of the mixing valve only.

Code	Pumps	kv	Size
7997310	GHN 15/60-130	3,5	G 1 M - (G 1 M+G 3/4 F)
7997313	GHN 25/60-180	3,5	G 1 1/2 M - G 1 F
7997316	GHN 32/80-180	18,0	G 2 M - G 1 1/4 F



Regulating group with 3-way mixing valve

Regulating group with 3-way mixing valve fitted to be actuated - reversible - DN 15/25/32 - 3 point actuator - without connections for bypass.

Male and female thread on system side connections.

Max working temperature: 110 °C

Max working pressure: 10 bar

Connection centre distance: DN15 - 90 mm DN25 - 125 mm; DN32 - 125 mm

Torque: 10 N·m

Protection class: IP 44

Frequency: 50 Hz

Power consumption: 4 VA

Flow coefficient Kv of the mixing valve only

Code	Pumps	kv	Size
7997311	GHN 15/60-130	4,0	G 1 M - (G 1 M+G 3/4 F)
7997314	GHN 25/60-180	6,0	G 1 1/2 M - G 1 F
7997317	GHN 32/80-180	18,0	G 2 M - G 1 1/4 F





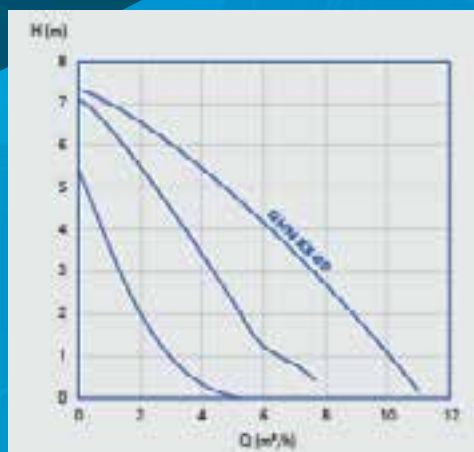
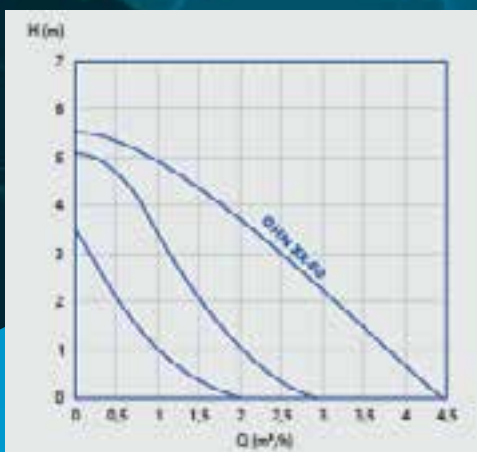
GHN PUMPS



GHN PUMPS main features:

- 3-speed pumps
- Suitable for installation in non-EU countries
- Robust design
- 3 fixed speeds for boiler installation, venting, and domestic hot water
- Easy control with a single switch
- Medium temperature: from -10°C to 110°C
- Ambient temperature up to 35°C

Performance range



Technical data

Technical specification	
Q _{max}	up to 11 m ³ /h
H _{max}	up to 7,4 m
DN	15/25/32
Pipe connection	G 1 / G1½ / G2
Installation	threaded
Insulation class	H/200
Degree of protection	IP 44
Voltage	1 - 230V, 50 Hz
Fitting length	130/180 mm

Name	P _{max} [W]	I _{max} [A]
GHN XX-60	90	0,39
GHN XX-80	210	0,95

Material	
Hydraulic casing	cast iron cataphoresis
Impeller	NORYL
Shaft	stainless steel - AISI 316
Bearings	graphite
Rotor can	stainless steel - AISI 316