



IMPPUMPS[®]

Intelligent Motor Pumps

www.imp-pumps.com

75
YEARS



DISTRIBUTION & REGULATING GROUPS WITH NMT MINI PUMPS



DISTRIBUTION & REGULATING GROUPS

ADVANTAGES:

- ➔ EASY INSTALLATION AND MAINTENANCE
- ➔ COMPACT SOLUTION
- ➔ MULTIFUNCTION
- ➔ EVERYTHING UNDER CONTROL
- ➔ INSULATION INCLUDED
- ➔ 3 GROUP MODELS

Direct distribution groups



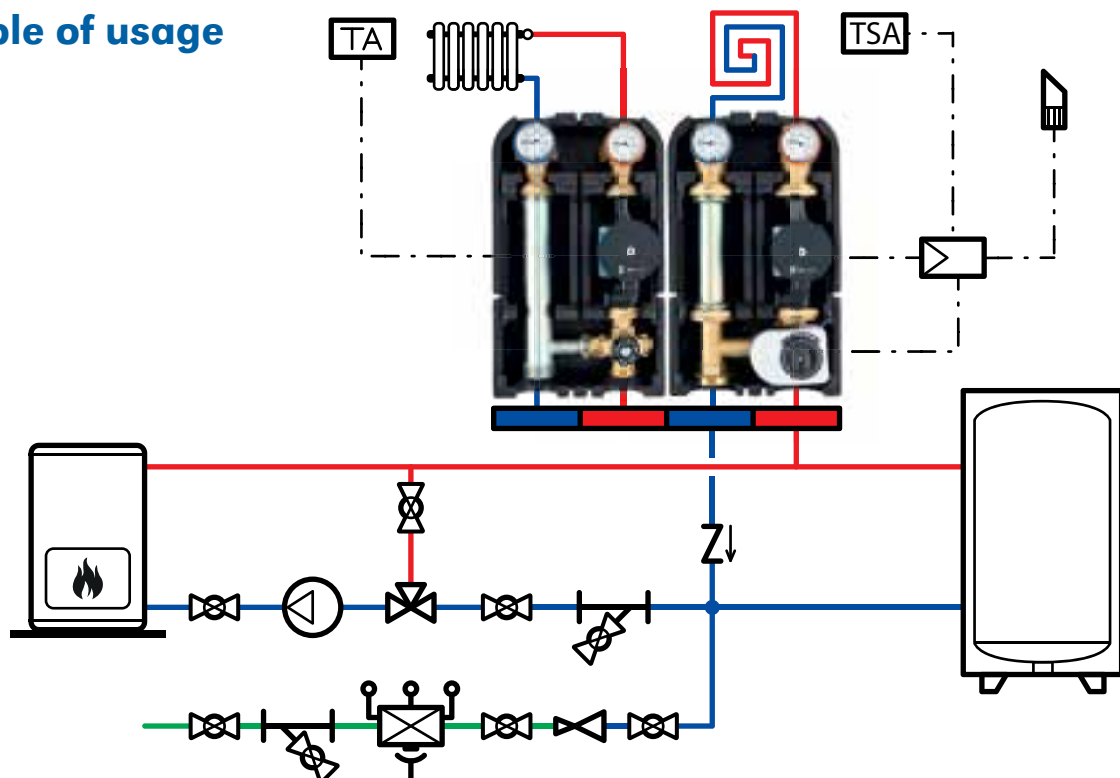
Regulating group with thermostatic mixing valve



Regulating group with 3-way mixing valve



Example of usage



Direct distribution groups

Direct distribution group - reversible - DN 15/25/32 - without connections for by-pass.
 Male and female thread on system side connections.

Max working temperature: 110 °C

Max working pressure: 10 bar

Connection centre distance: DN15 - 90 mm; DN25 - 125 mm; DN32 - 125 mm

Code	Pumps	kv	Size
7997300	NMT MINI 15/60-130	/	G 1 M - (G 1 M+G 3/4 F)
7997303	NMT MINI 25/80-180	/	G 1 1/2 M - G 1 F
7997306	NMT MINI 32/80-180	/	G 2 M - G 1 1/4 F



Regulating group with thermostatic mixing valve

Regulating group with thermostatic mixing valve - reversible - DN 15/25/32 - without connections for by-pass. Male and female thread on system side connections.

Max working temperature: 110 °C

Max working pressure: 10 bar

Connection centre distance: DN15 - 90 mm; DN25 - 125 mm; DN32 - 125 mm

Flow coefficient Kv of the mixing valve only.

Code	Pumps	kv	Size
7997301	NMT MINI 15/60-130	3,5	G 1 M - (G 1 M+G 3/4 F)
7997304	NMT MINI 25/80-180	3,5	G 1 1/2 M - G 1 F
7997307	NMT MINI 32/80-180	18,0	G 2 M - G 1 1/4 F



Regulating group with 3-way mixing valve

Regulating group with 3-way mixing valve fitted to be actuated - reversible - DN 15/25/32 - 3 point actuator - without connections for bypass.

Male and female thread on system side connections.

Max working temperature: 110 °C

Max working pressure: 10 bar

Connection centre distance: DN15 - 90 mm DN25 - 125 mm; DN32 - 125 mm

Torque: 10 N·m

Protection class: IP 44

Frequency: 50 Hz

Power consumption: 4 VA

Flow coefficient Kv of the mixing valve only

Code	Pumps	kv	Size
7997302	NMT MINI 15/60-130	4,0	G 1 M - (G 1 M+G 3/4 F)
7997305	NMT MINI 25/80-180	6,0	G 1 1/2 M - G 1 F
7997308	NMT MINI 32/80-180	18,0	G 2 M - G 1 1/4 F





NMT MINI PUMPS

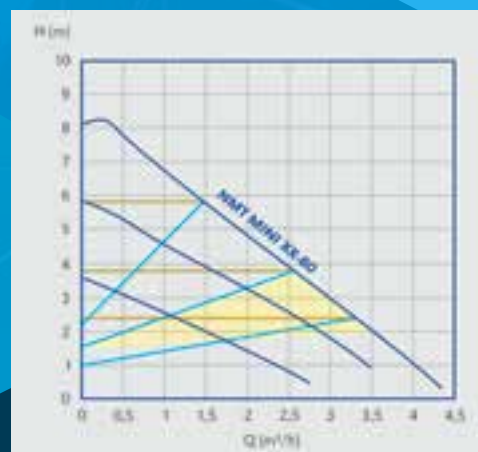
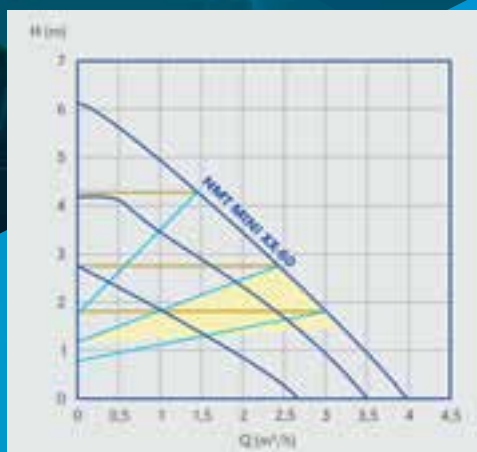


NMT MINI main features:

- Dry running detection prevents the pump from running when there is no medium
- Ultra-light design meaning the lightest pump only weighs 1.46 kg
- Automatic summer mode to prevent blocking during low season
- Robust startup
- 3 proportional-pressure curves for radiator heating
- 3 constant-pressure curves for floor heating
- 3 fixed speeds for boiler installation, venting, and domestic hot water
- Thermal insulation included

Performance range & operating functions

- 3 proportional - pressure curves for radiator heating
- 3 constant - pressure curves for floor heating
- 3 fixed speeds for boiler installation, venting and domestic hot water



Technical data

Technical specification	
Q _{max}	up to 4,3 m ³ /h
H _{max}	up to 8 m
DN	15/25/32
Pipe connection	G 1 / G1½ / G2
Installation	threaded
Insulation class	F
Degree of protection	IP 44
Voltage	1 ~ 230V, 50 Hz
Fitting length	130/180 mm

Name	P _{max} [W]	I _{max} [A]	EEL
NMT MINI XX-60	35	0,35	0,16
NMT MINI XX-80	50	0,50	0,18

Ambient temperature	Medium temperature
25°C	from -10°C to +110°C
30°C	from -10°C to +100°C
35°C	from -10°C to +90°C
40°C	from -10°C to +80°C