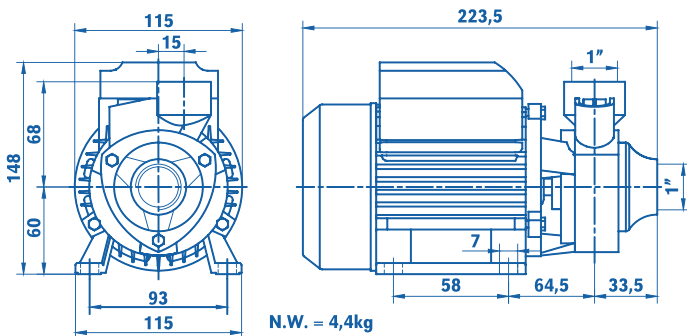


Dimensions in mm:



HT

Application limits:

- suction head up to 8m
- liquid temperature up to +40°C
- ambient temperature up to +40°C
- max. working pressure: 6bar
- voltage fluctuation should not exceed 10% of rated value
- pH: 6,5 to 8,5

Application fields:

- suitable for transferring water without abrasive particles or other liquids whose properties are similar to water
- widely used in garden irrigation, vegetable greenhouse water supply, breeding industry water supply and drainage, various corollary equipment, etc.

Features:

- small size, high pressure
- easy installation & maintenance
- stainless steel inserts

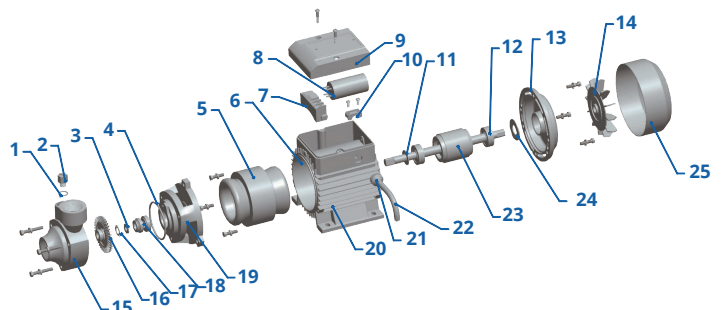
Motor:

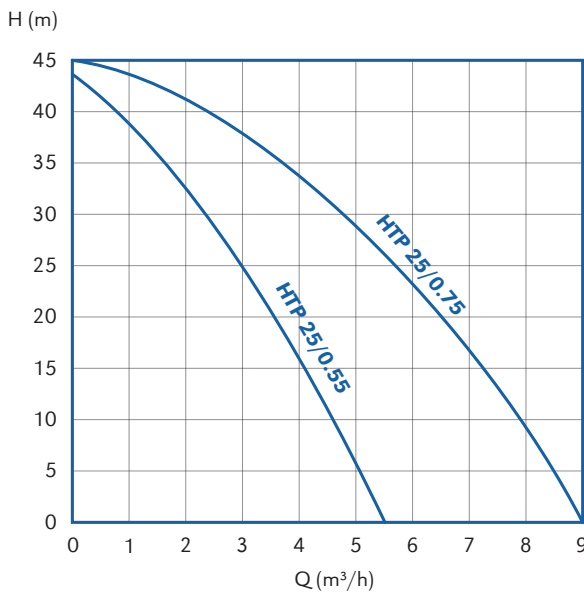
- single-phase 220V/50Hz or 110V/50Hz
- 2 pole asynchronous motor, copper wires, built-in thermal protection, fully closed fan cooling, continuous operation
- protection: IP44
- insulation: Class B

Model	Power	Max. flow	Max. head	Head range	Max. suction
HT 25/0.37	0,37 kW	2,4 m ³ /h	40 m	1,5 - 30	8

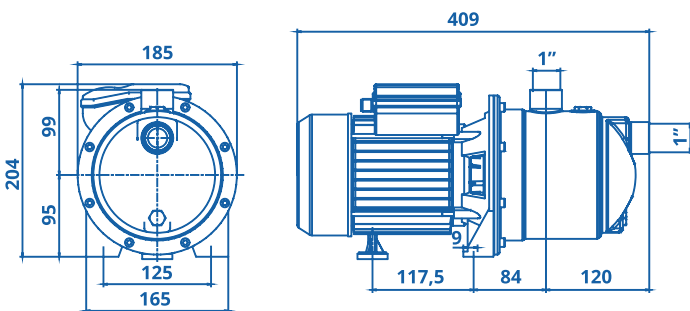
Components and materials:

No.	Component	No.	Component
1	O-ring	14	Fan
2	Air-faucet	15	Pump body - cast iron
3	Washer	16	Impeller - brass
4	O-ring	17	Shaft circlip
5	Stator	18	Mechanical seal - 103-12/20.5 B:A(P)
6	Motor housing	19	Coupling - cast iron
7	Terminal board	20	Motor case - aluminium
8	Capacitor - 10µF/450V	21	Cable sleeve
9	Terminal block cover	22	Cable
10	Cable control cover	23	Rotor
11	Waterproof ring	24	Wave spring
12	Bearing - 6201-2RZ	25	Fan cover
13	End cover		





Dimensions in mm :



Model	N.W
HTP 25/0.55	10,5 kg
HTP 25/0.75	11kg

HTP

Application limits:

- suction head up to 7m
- liquid temperature up to +40°C
- ambient temperature up to +40°C
- max. working pressure: 4,8bar
- voltage fluctuation should not exceed 10% of rated value
- pH: 6,5 to 8,5

Application fields:

- suitable for transferring water without abrasive particles or other liquids whose properties are similar to water
- widely used in garden irrigation, drinking water, vegetable greenhouse water supply, breeding industry water supply and drainage, various corollary equipment, etc.

Configuration & motor:

- mechanical sealing: ceramic/graphite/NBR rubber
- Motor: 2 pole asynchronous motor, copper wires, built-in thermal protection, fully closed fan cooling, continuous operation
- protection: IP44
- insulation: Class B

Model	Power	Max. flow	Max. head	Head range	Max. suction
HTP 25/0.55	0,55 kW	5,4 m³/h	44 m	4 - 44	7
HTP 25/0.75	0,75 kW	9 m³/h	45 m	4 - 45	7

Components and materials:

No.	Component	No.	Component
1	Hexagon head screws	27	Rubber washer
2	Dust cover	28	Retaining ring
3	Air faucet	29	Coupling - aluminium
4	O-ring	30	Rubber washer
5	Pump body - AISI	31	Cross recessed screw
6	Hex nut	32	Capacitor - 18µF/20µ - 450V
7	Spring washer	33	Terminal board
8	Flat washer	34	Terminal
9	Bushing	35	Hex nut
10	Baffle	36	Cross recessed screw
11	Washer	37	Terminal block set
12	Impeller - plastic	38	Nameplate
13	Deflector	39	Cross recessed tappin screws
14	Guide vane	40	Rubber washer
15	Deflector cover	41	Screw & washer set
16	Flat washer	42	Locking washer
17	Retaining ring	43	Cross recessed tappin screws
18	Mechanical seal	44	Cable platen
19	O-ring	45	Cable sleeve
20	Pump cover	46	Cable
21	Wave spring	47	End cover
22	Bearing	48	Spring washer
23	Rotor	49	Hex bolt
24	Stator	50	Fan
25	Foot	51	Fan cover
26	Bearing		

