

Southern Blocking LLC  
 112 S 12th Ave  
 Lanett, Alabama 36863

# LowWall.com Submittal

Free Standing - Partial Height Wall - Support  
 visit our web site: [www.LowWall.com](http://www.LowWall.com)

## DESCRIPTION

Low Wall Supports are designed to add structural stability to partial height framed walls that are unsupported at the top track. Loads that are applied perpendicular to the face of the composite drywall/metal stud assembly are transferred to the concrete slab through the welded steel base plate using a threaded anchor. LWS series are designed with a base plate that is 3.5" x 6" to fit within the bottom track of a metal stud framed assembly.

## ADVANTAGES

- Color Coded for Easy Product recognition with powder coat finish
- 16 ga. Tubing allows Self drilling screw to penetrate tubing
- Punched holes in base-plate allow vertical use of hammer drill without tubing interfering with install
- Most Cost effective per linear foot of wall run
- 2" tube steel allows electrical to "pass by"
- All of our Low Wall Supports are Bi-Directional

## SPECIFICATIONS

Product Code:	Base Plate	Tube Steel	Direction
LWS34-16 ( YELLOW )	1/4" Plate 3.5" x 6"	2"x2" - 16 ga. - 34" Length	Bi-Directional
LWS48-16 ( WHITE )	1/4" Plate 3.5" x 6"	2"x2" - 16 ga. - 48" Length	Bi-Directional

## PRODUCT RECOGNITION

- ( Product Code LWS34-16 translates to Low Wall Support 34" Tube length with 16 ga. square tube wall thickness.)
- ( Product Code LWS48-16 translates to Low Wall Support 48" Tube length with 16 ga. square tube wall thickness.)

## LIMITATIONS - All cantilevered base supported columns are limited to the following:

- Strength of the concrete in which the cantilevered post is attached.
- Wedge anchor, Epoxy anchor or thru bolt design values
- 5 PSF wall loading unless deemed otherwise by Engineer of Record
- Bottom track should be properly fastened to the slab on grade or elevated deck
- Each Jobsite and Conditions offer up limitations that are not listed above

Job Name: \_\_\_\_\_

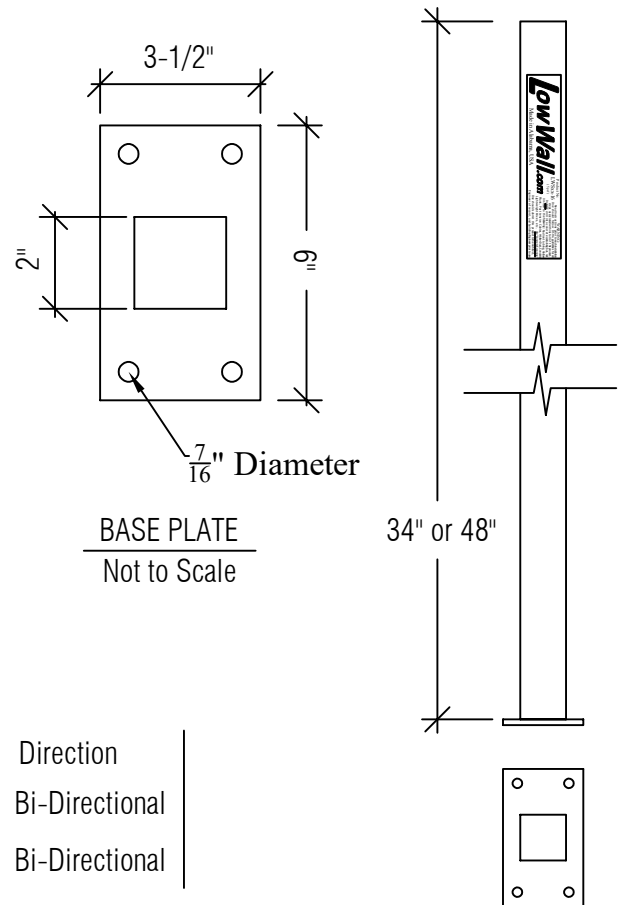
Contractor: \_\_\_\_\_

Date: \_\_\_\_\_



Product No: LWSxx-16 (5 psf)  
 Read Instructions prior to each installation. One should follow OSHA guidelines for all steps associated with install of this product. Do NOT drill into concrete containing but, not limited to the following: Radiant tubing, Hollow Plank, Post tension Cables, Walker Duct, Conduits, Lightweight Mixes, etc. Use "Concrete Scanning." One should submit this product to the Architect, Engineer of record, and building Engineer prior to use.

Made in Alabama, USA



Stamp:

Approved By: