

# NL240KTF

Elevating Work Platform



[www.nifty-lift.com.au](http://www.nifty-lift.com.au)

P: +61 3 9725 0077 | [sales@nifty-lift.com.au](mailto:sales@nifty-lift.com.au)



**ELEVATING**  
WORK PLATFORMS

# NL240KTF

## Elevating Work Platform



Working Height  
**26m**



Ground-Basket  
**24m**



Rated Capacity  
**350kg**



Working Reach  
**15.8m**



To Basket Edge  
**15.1m**



Fly Boom  
**180°**



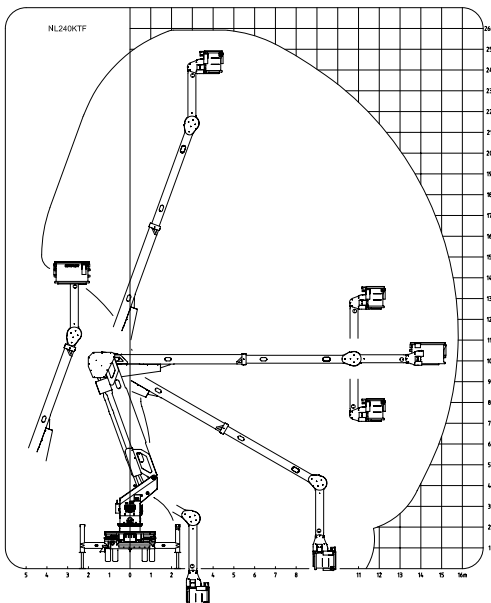
Continuous Slew  
**360°**



Basket Rotation  
**180°**

## Features & Benefits:

- Full 180 degree articulating fly boom gives unrivalled access to go under or between obstacles
- Large 1500mm wide basket with full capacity 180° rotation allows two people to face their job with ease.
- Difficult to access job sites are possible due to the huge side reach [15.8 metres] at an optimal 10 metre basket height.
- Our Enhanced User Interface provides intuitive operation, a detailed user guide, help screens, fault diagnosis and overrides to guarantee minimal downtime.
- Operator safety is ensured with wet high voltage insulation to 132kV/33kV/LV.
- Rear outriggers with three limited slew windows provide plenty flexibility at difficult jobsites.
- Side by side boom configuration provides an unrivalled ground access area for easy basket loading and rescue up to 11 metres from vehicle.
- Simplified large joystick controls with fully proportional speed control and dual deadman which is ideal for live line conditions.
- Rounded and nested profile covers and low profile basket frame ensure wires and branches do not catch during tight works.



## NL240KTF – The Nimble Giant

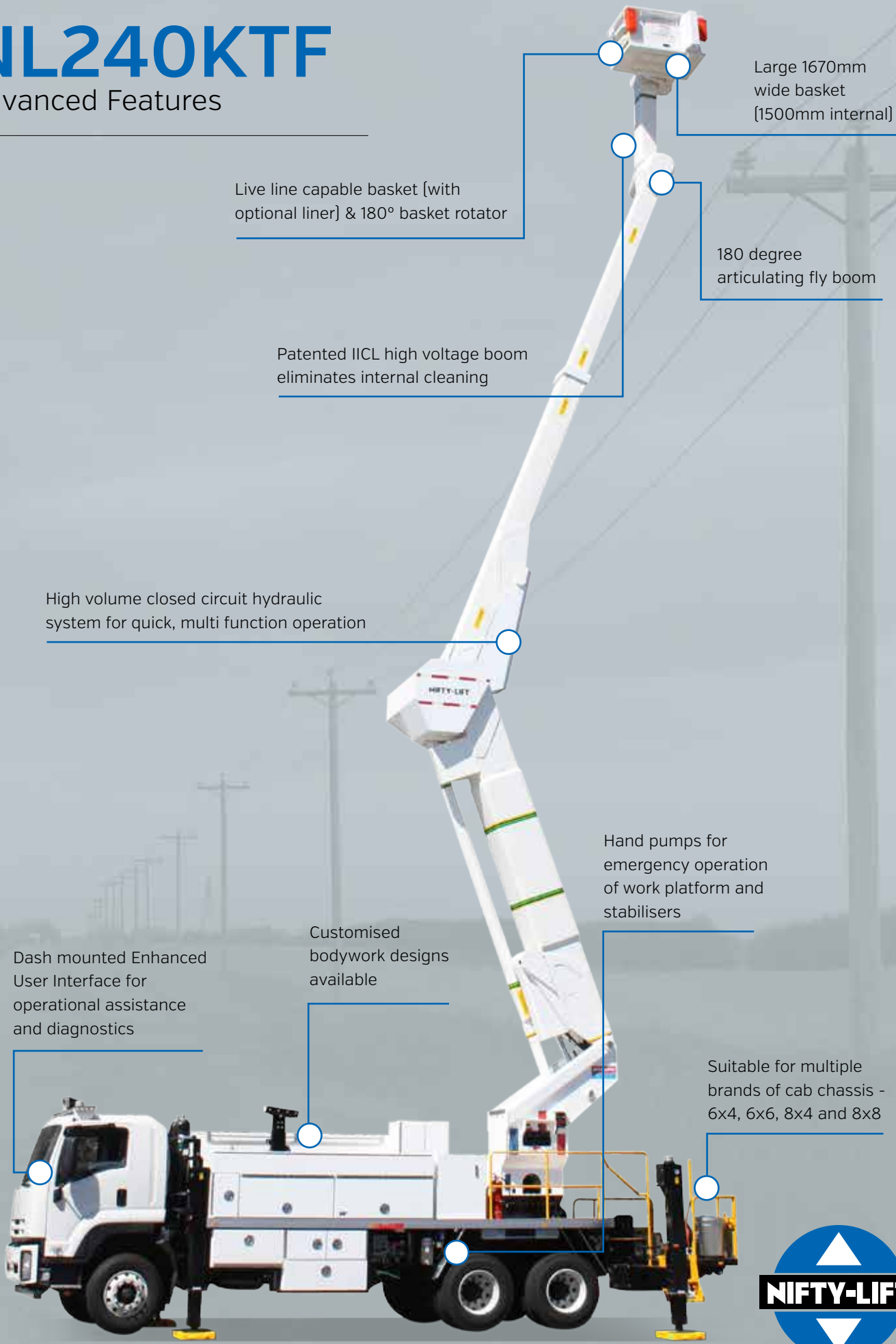
This leading 26 metre work platform brings great operational flexibility to any fleet. The huge side reach and working height easily tackles heavy duty powerline works and tree felling tasks, whilst the flexibility of the 180° articulating fly boom and 180° basket rotator enables operators to nimbly manoeuvre between obstacles. With the added flexibility of live line capability, limited slew modes and a vehicle size suitable for the urban environment, the NL240KTF scores highly with operators and fleet owners.

### Optional Accessories

- Many basket options including hydraulic tool outlets, various lifting and material handling attachments and tie off points
- Long stroke stabilisers are available for increased levelling ability in steep locations
- Extensive range of bodywork options including toolboxes, cable drum reels, signage racks, cone holders, vices, lighting and towbar kits!
- Many more options available

# NL240KTF

## Advanced Features



Large 1670mm wide basket [1500mm internal]

Live line capable basket [with optional liner] & 180° basket rotator

180 degree articulating fly boom

Patented IICL high voltage boom eliminates internal cleaning

High volume closed circuit hydraulic system for quick, multi function operation

Hand pumps for emergency operation of work platform and stabilisers

Dash mounted Enhanced User Interface for operational assistance and diagnostics

Customised bodywork designs available

Suitable for multiple brands of cab chassis - 6x4, 6x6, 8x4 and 8x8



Visit us online for more information at [www.nifty-lift.com.au](http://www.nifty-lift.com.au)

**ELEVATING**  
WORK PLATFORMS

# Why Choose Nifty-Lift?

---

## Designed & Engineered In Australia

Our optimised designs ensure greater job site performance coupled with less downtime, giving you higher productivity and lower cost of ownership over the life of the work platform. Nifty-Lift has over 25 years of experience designing innovative access solutions, and through extensive industry consultation and the use of cutting edge engineering software we have produced a range of industry leading models. Our experience and expertise gives owners and operators piece of mind when working at height in a Nifty-Lift elevating work platform.

## After Sales Support

We support our work platforms through their entire lifecycle, not just under warranty. The team of highly experienced Nifty-Lift service technicians are available to assist operators, fleet owners and workshops with training, advice, documentation and product upgrades. We partner with our customers for life.

## Parts Department

Nifty-Lift stocks thousands of genuine spare parts. We can easily arrange overnight freight for all your spares and service items to ensure your EWP is returned to service with minimal downtime.

*Nifty-Lift reserves the right to alter specifications without notice. Photographs and drawings in this document are for illustrative purposes only. Product shown in photos contains optional features. Nifty-Lift, in so far as it is permitted by law to do so, shall not be liable in any way as a result of any reliance by any person on anything contained in this brochure. Please contact Nifty-Lift for current and detailed specifications.*



**ELEVATING**  
WORK PLATFORMS

[www.nifty-lift.com.au](http://www.nifty-lift.com.au)

P: +61 3 9725 0077 | [sales@nifty-lift.com.au](mailto:sales@nifty-lift.com.au)