

INSPINIA 8 SQ

8" Touch Panel - Datasheet

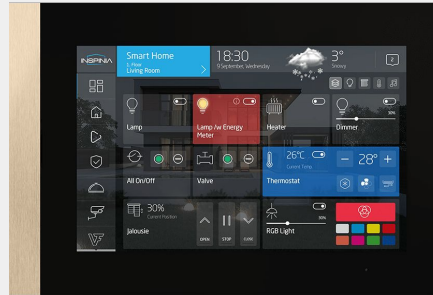
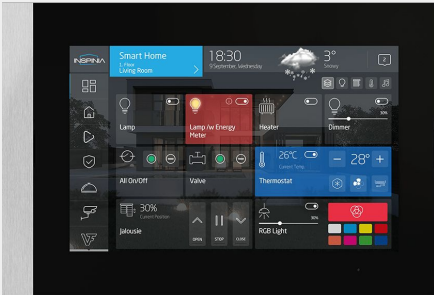


Color Options

● Silver

● Gold

● Black

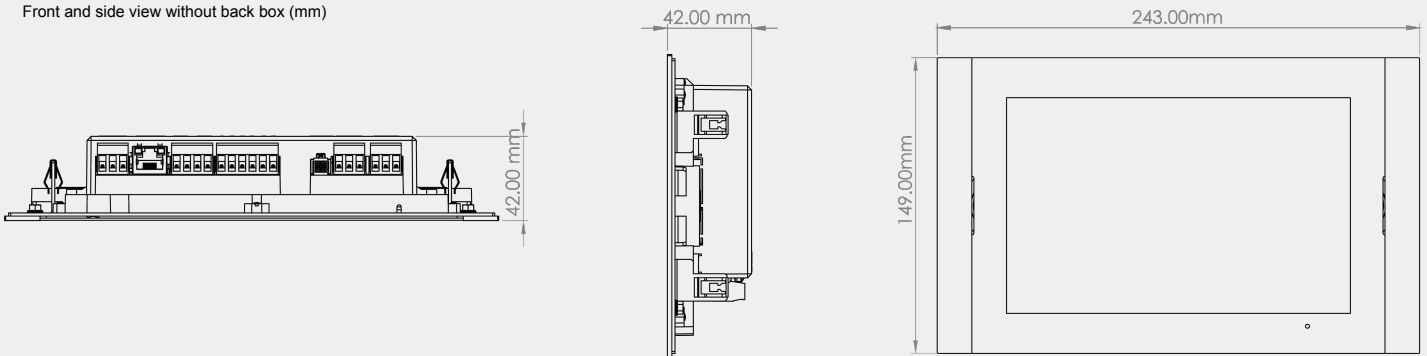


Product Side Views



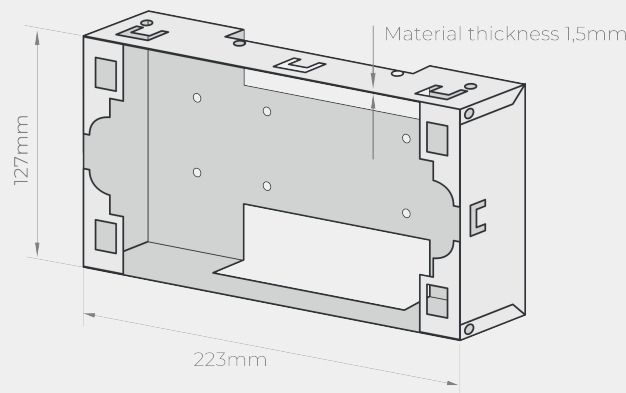
Product Dimensions

Front and side view without back box (mm)



Back Box Dimensions

Isometric view back box (mm)



INSPINIA 8 SQ

8" Touch Panel - Datasheet



BASED ON  SKY THINGS FRAMEWORK

Technical Specifications

Hardware:	A64 Quad-Core 1.3 GHz/1GB DDR3 Ram / 8GB Nand flash OS Android 6.0 with Inspinia Application up to 1000 UI objects and 2000 BMS points Initial license: 1000 BMS points / No HVAC (VRV/VRF) point
Display:	IPS 8" 1280 x 800 resolution 350 cd/m2 luminance with 5 point capacitive touchscreen Vertical and horizontal working mode
Power Supply:	24 VDC POE IEEE 802.3at Power consumption max. 13W
Standard Interfaces:	(1x) LAN RJ45 10/100/1000Mbps Interface (2x) Add-On (Optional Interface) Port (5x) Digital In (Optional Isolated) (2x) Digital Out (Dry Contact 5A / 250V AC max) (1x) UNI-Port (Peripherals port based on USB 2.0 OTG) (2x) 3 Watt Speakers (1x) Omni-directional Microphone
Built-in Sensors:	Proximity detection range up to 200 mm Ambient illuminance measurement 0.0022 - 73000 lux Humidity sensor range 0% up to 100% RH Temperature sensor range -40°C up to +125°C
Optional Interfaces (Ref.):	KNX Twisted Pair (A-KNX) Bticino (SCS) Twisted Pair (A-SCS) RS485 (EIA-485) (A-RS4) DALI 2 (A-DALI) Galvanic isolated RS485 Modbus (A-GMD) VRF mainline communication (A-VXX) BLE Bluetooth 5.0 (A-ACIB) Zigbee 3.0 (A-ZGB)
Working Temperature & Humidity:	-10°C – +60°C 5% – 90% at 25°C

Certificates and Compatibility:



Order Code(s)

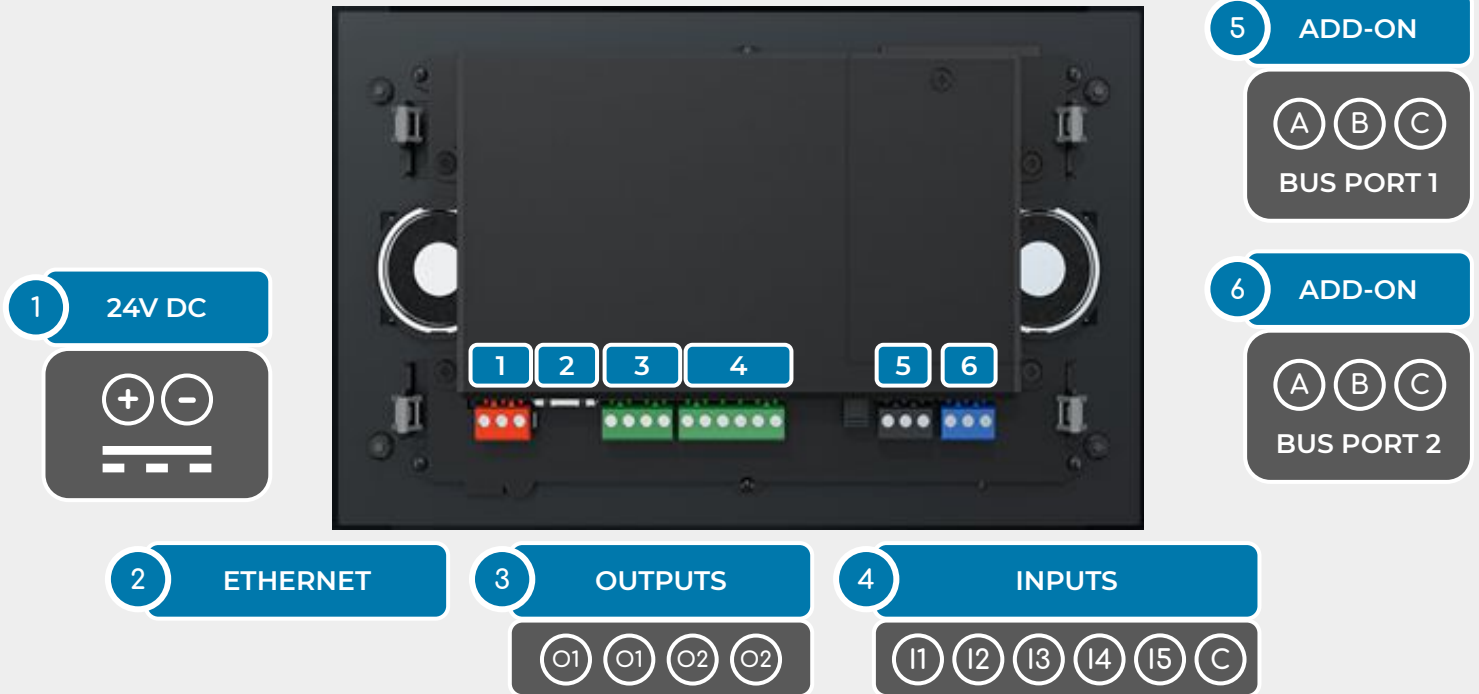
INS8SF.B : Inspinia SQ 8" Panel w/ Black Bars
INS8SF.S : Inspinia SQ 8" Panel w/ Silver Bars
INS8SF.G : Inspinia SQ 8" Panel w/ Gold Bars

INSPINIA 8 SQ

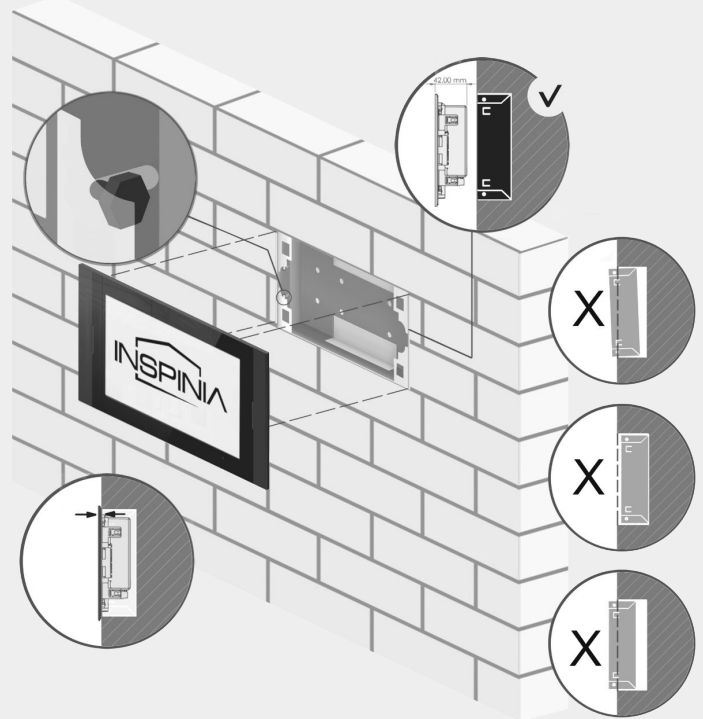
8" Touch Panel - Installation Manual



PORTS & CONNECTIONS



HOW TO MOUNT YOUR INSPINIA



Local Web Interface

Default IP : 192.168.2.100
Username : admin
Password : aEuXW6gn

