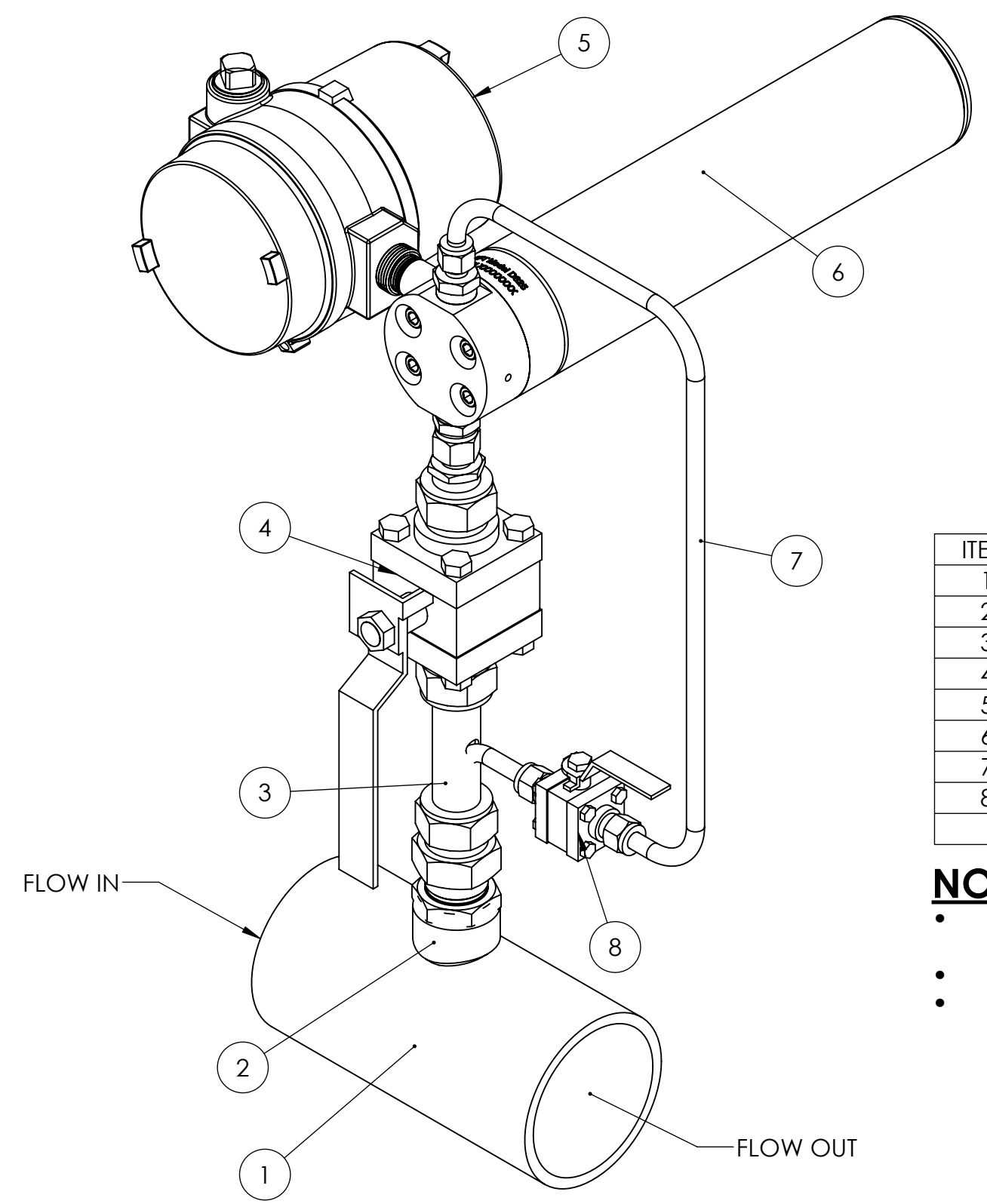


# BI-DIRECTIONAL DENSITOMETER FLOW LOOP ASSEMBLY

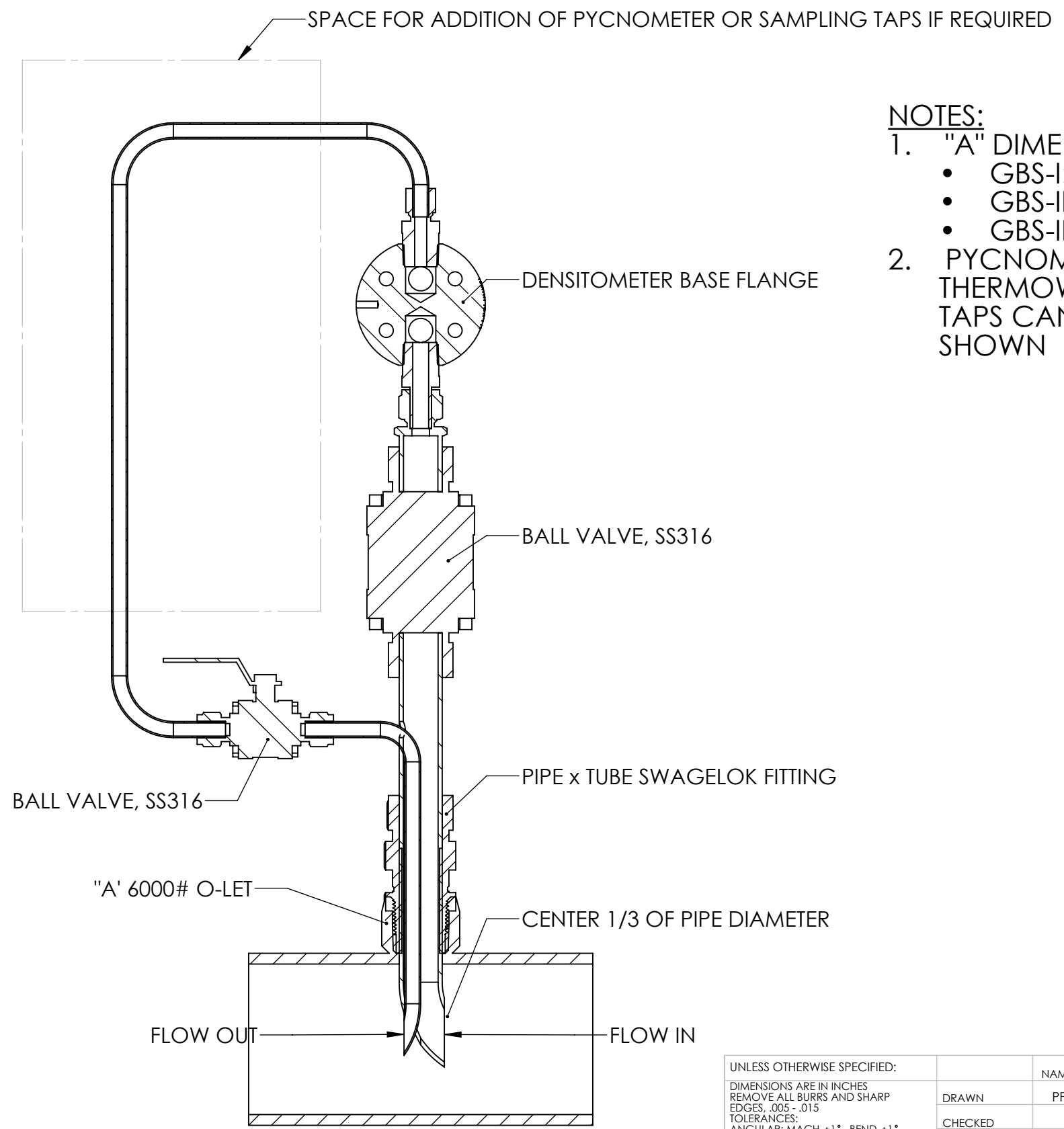
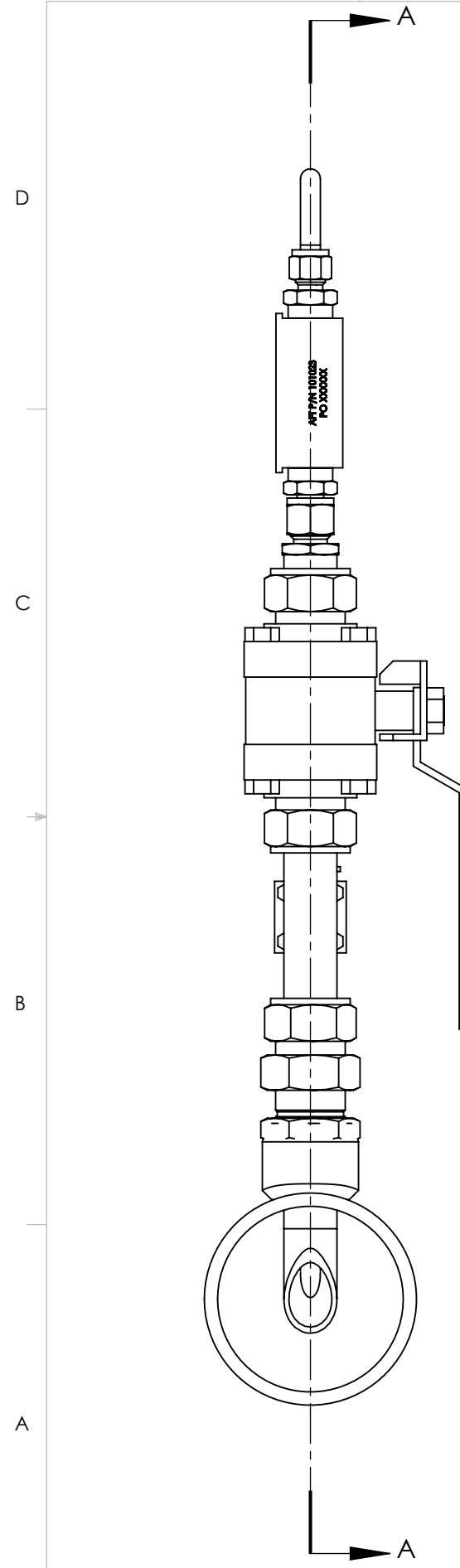


ITEM	DESCRIPTION
1	MAIN CUSTOMER PIPELINE (4" DIAMETER SHOWN)
2	THREADED PIPE OUTLET (1" NPT SIZE SHOWN)
3	BI-DIRECTIONAL SCOOP ASSEMBLY (GBS-I-4-SS)
4	FLOW INLET CONTROL VALVE
5	DENSITOMETER LCD DISPLAY
6	DENSITRAK D625 LIQUID DENSITOMETER
7	TUBING, DENSITOMETER FLOW LOOP (3/8" SHOWN)
8	FLOW RETURN CONTROL VALVE

- NOTE:**
- ASSEMBLY CAN BE CUSTOMIZED TO MEET CUSTOMERS SPECIFIC REQUIREMENTS
  - FLUID SAMPLING VALVE/TAP CAN BE ADDED
  - PYCNOMETER PROVING LOOP CAN BE ADDED

UNLESS OTHERWISE SPECIFIED: DIMENSIONS ARE IN INCHES REMOVE ALL BURRS AND SHARP EDGES .005 - .015 TOLERANCES: ANGULAR: MACH ±1° BEND ±1° ONE PLACE DECIMAL ±0.1 TWO PLACE DECIMAL ±0.02 THREE PLACE DECIMAL ±0.005		NAME	DATE	 Scottsdale, AZ, USA PH: 480-443-0168 TITLE: BI-DIRECTIONAL DENSITOMETER FLOW LOOP ASSEMBLY
INTERPRET GEOMETRIC TOLERANCING PER: ASME Y14.5M-1994		DRAWN	PFH 7/12/16	
MATERIAL		CHECKED		
FINISH		ENG APPR.		
DO NOT SCALE DRAWING		MFG APPR.		SIZE
PROPRIETARY AND CONFIDENTIAL THE INFORMATION CONTAINED IN THIS DRAWING IS THE SOLE PROPERTY OF ANALYTICAL FLOW TECHNOLOGIES, LLC. ANY REPRODUCTION IN PART OR AS A WHOLE WITHOUT THE WRITTEN PERMISSION OF ANALYTICAL FLOW TECHNOLOGIES, LLC IS PROHIBITED.		COMMENTS:		DWG. NO.
		FOR REFERENCE ONLY		D625 - GBS-I-4-SS
		NHA:		REV
				NC
				SCALE: 1:3
				WEIGHT: -
				SHEET 1 OF 2

8 7 6 5 4 3 2 1



**NOTES:**

1. "A" DIMENSION
  - GBS-I: 1.0" NPT/WELD
  - GBS-II: 1.25" NPT/WELD
  - GBS-III: 1.5" NPT/WELD
2. PYCNOMETER PROVING LOOP, THERMOWELLS, AND FLUID SAMPLING TAPS CAN BE INSERTED IN SPACE SHOWN

SECTION A-A

UNLESS OTHERWISE SPECIFIED:		NAME	DATE
DIMENSIONS ARE IN INCHES REMOVE ALL BURRS AND SHARP EDGES .005 - .015		DRAWN	PFH 7/12/16
TOLERANCES:		CHECKED	
ANGULAR: MACH ±1° BEND ±1°		ENG APPR.	
ONE PLACE DECIMAL ±0.1		MFG APPR.	
TWO PLACE DECIMAL ±0.02		Q.A.	
THREE PLACE DECIMAL ±0.005		COMMENTS:	
INTERPRET GEOMETRIC TOLERANCING PER: ASME Y14.5M-1994		FOR REFERENCE ONLY	
MATERIAL		NHA:	
FINISH		SCALE: 1:3	
NONE		WEIGHT: -	
DO NOT SCALE DRAWING		SHEET 2 OF 2	

**ANALYTICAL FLOW TECHNOLOGIES**  
 Scottsdale, AZ, USA PH: 480-443-0168

TITLE: **BI-DIRECTIONAL DENSITOMETER FLOW LOOP ASSEMBLY**

SIZE **B** DWG. NO. **D625 - GBS-I-4-SS** REV **NC**

**PROPRIETARY AND CONFIDENTIAL**  
 THE INFORMATION CONTAINED IN THIS DRAWING IS THE SOLE PROPERTY OF ANALYTICAL FLOW TECHNOLOGIES, LLC. ANY REPRODUCTION IN PART OR AS A WHOLE WITHOUT THE WRITTEN PERMISSION OF ANALYTICAL FLOW TECHNOLOGIES, LLC IS PROHIBITED.

8 7 6 5 4 3 2 1