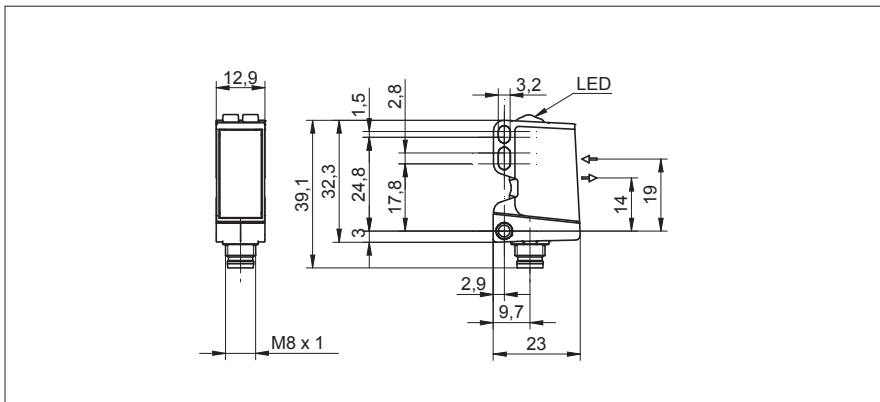


## Retro-reflective sensors

O300Y.QR-11144068

Mat.-No.: 11144068

## dimension drawing



## general data

|                                     |                         |
|-------------------------------------|-------------------------|
| type                                | retro-reflective sensor |
| light source                        | pulsed red LED          |
| actual range $S_b$                  | 3 m                     |
| nominal range $S_n$                 | 3,5 m                   |
| polarization filter                 | yes                     |
| light indicator                     | LED yellow              |
| sensitivity adjustment              | no                      |
| wave length                         | 630 nm                  |
| suppression of reciprocal influence | yes                     |
| alignment optical axis              | < 3°                    |

## electrical data

|                                    |                      |
|------------------------------------|----------------------|
| response time / release time       | < 0,49 ms            |
| voltage supply range +Vs           | 10 ... 30 VDC        |
| current consumption max. (no load) | 40 mA                |
| current consumption typ.           | 30 mA                |
| voltage drop $V_d$                 | < 3 VDC              |
| output function                    | light / dark operate |
| output circuit                     | NPN complementary    |
| output current                     | < 100 mA             |
| short circuit protection           | yes                  |
| reverse polarity protection        | yes                  |

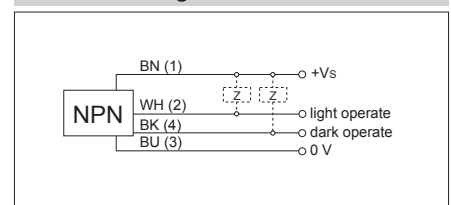
## mechanical data

|                  |                     |
|------------------|---------------------|
| width / diameter | 12,9 mm             |
| height / length  | 32,3 mm             |
| depth            | 23 mm               |
| type             | rectangular         |
| housing material | plastic (ASA, PMMA) |
| front (optics)   | PMMA                |
| connection types | connector M8 4 pin  |

## ambient conditions

|                       |                |
|-----------------------|----------------|
| operating temperature | -25 ... +60 °C |
| protection class      | IP 67          |

## connection diagram



## pin assignment

