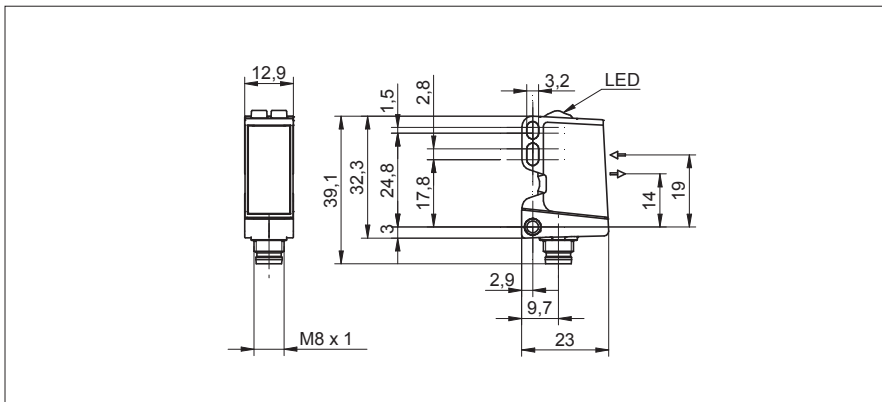


## Retro-reflective sensors

O300Y.QR-11144073

Mat.-No.: 11144073

## dimension drawing



## general data

type	retro-reflective sensor
light source	pulsed red LED
actual range $S_b$	3 m
nominal range $S_n$	3,5 m
polarization filter	yes
light indicator	LED yellow
sensitivity adjustment	no
wave length	630 nm
suppression of reciprocal influence	yes
alignment optical axis	< 3°

## electrical data

response time / release time	< 0,49 ms
voltage supply range +Vs	10 ... 30 VDC
current consumption max. (no load)	40 mA
current consumption typ.	30 mA
voltage drop $V_d$	< 3 VDC
output function	light / dark operate
output circuit	PNP complementary
output current	< 100 mA
short circuit protection	yes
reverse polarity protection	yes

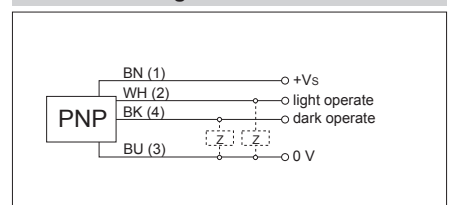
## mechanical data

width / diameter	12,9 mm
height / length	32,3 mm
depth	23 mm
type	rectangular
housing material	plastic (ASA, PMMA)
front (optics)	PMMA
connection types	connector M8 4 pin

## ambient conditions

operating temperature	-25 ... +60 °C
protection class	IP 67

## connection diagram



## pin assignment

