



ITT

Lowara

Electric Pump Control and Protection System

GENYO Series



Engineered for life



ITT

Lowara



APPLICATIONS

✓ DOMESTIC PRESSURE BOOSTING

(single and multi-family dwellings)

✓ SMALL IRRIGATION AND GARDENING

✓ CIVIL WATER SYSTEMS

(bathing establishments, campgrounds, sporting facilities)

Engineered for life



ITT

Lowara

PRODUCT RANGE

GENYO 8A



GENYO 16A



MODELS*	ACCESSORIES INCLUDED	MAX CURRENT	START PRESSURE
GENYO 8A/F12	Pressure gauge	8A	Fixed start P: 1.2 bar
GENYO 8A/F15	Pressure gauge	8A	Fixed start P: 1.5 bar
GENYO 8A/F22	Pressure gauge	8A	Fixed start P: 2.2 bar
GENYO 16A/R15-25	Pressure gauge	16A	Adjustable start P: 1.5 ÷ 2.5 bar

* Version with Power Supply Cable / Plug and Motor Cable also available (for technical details, see "Technical Specifications" section)



Suitable for use with both surface and submersible electric pumps



Engineered for life





ITT

Lowara

CONSTRUCTION CHARACTERISTICS

LARGE PASSAGEWAY
for lower flow resistance

SPRING
made of bichromate treated steel

PATENTED STORAGE SYSTEM
permitting the storage of an adequate water reserve in a limited space

SENSORS
Made of highly resistant thermoplastic material containing hermetically inserted ultrasonic-welded magnets

LIQUID END MATERIAL
made of non-toxic fibreglass-reinforced thermoplastic material

DIAPHRAGM AND SEALS
of special natural rubber for higher protection (IP 65)

ELECTRONIC BOARD
for control, protection and connections

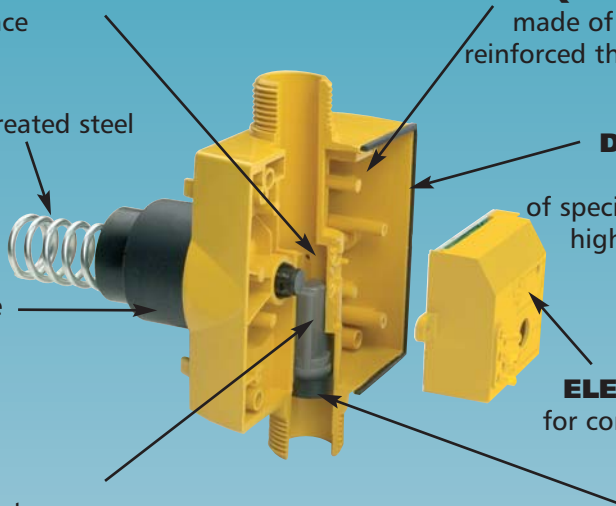
NON-RETURN VALVE
integrated into one of the sensors with magnet

LED INDICATORS
GREEN LED: POWER presence of power supply
RED LED: FAILURE indicates an alarm condition
YELLOW LED: ON indicates the pump is running

MANUAL RESTART PUSHBUTTON
to restart the pump after failure

INTEGRATED PRESSURE GAUGE
Range: 0-10 bar

POWER SUPPLY CABLE AND PLUG / MOTOR CABLE
only on version with cables



GENYO 8A exploded drawing

Engineered for life





ITT

Lowara

TECHNICAL SPECIFICATIONS



GENYO 8A

- ✓ Power supply voltage: single phase 220-240V
- ✓ Frequency: 50/60 Hz
- ✓ Max current: 8A inductive
- ✓ Protection class: IP 65
- ✓ Fixed start pressure:
 - F12: 1.2 bar
 - F15: 1.5 bar
 - F22: 2.2 bar
- ✓ Operating temperature: 0-60°C
- ✓ Max pressure: 10 bar
- ✓ Max flow rate: 10 m³/h (see flow resistance diagram)
- ✓ Manual restart
- ✓ Inlet-outlet connections: R1"
- ✓ Pressure gauge (0÷10 bar)
- ✓ Power supply cable and plug /motor: H07RN-F 3G1 - L = 1.5 m with Schuko* plug / H07RN-F 3G1 - L = 0.5 m with cableheads (on version with cables)

* UK, AU plug available on request



GENYO 16A

- ✓ Power supply voltage: single phase 220-240V
- ✓ Frequency: 50/60 Hz
- ✓ Max current: 16A inductive
- ✓ Protection class: IP 65
- ✓ Adjustable start pressure (by means of special screw):
 - R15 - 25 from 1.5 to 2.5 bar
- ✓ Operating temperature: 0÷60°C
- ✓ Max pressure: 10 bar
- ✓ Max flow rate: 10 m³/h (see flow resistance diagram)
- ✓ Automatic restart
- ✓ Inlet-outlet connections: R1"
- ✓ Pressure gauge (0÷10 bar)
- ✓ Power supply cable and plug /motor: H07RN-F 3G1.5 - L = 1.5 m with Schuko* plug / H07RN-F 3G1.5 - L = 0.5 m with cableheads (on version with cables)

* UK, AU plug available on request

Engineered for life





ITT

Lowara

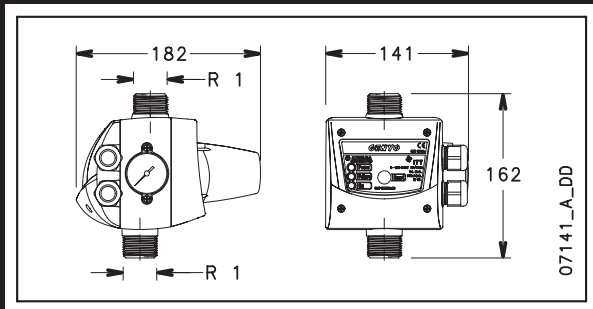
STANDARDS AND MARKINGS

- ✓ Suitable for use with potable water (French ACS approval and according to D.M. 06/04/2004 n. 174)
- ✓ In compliance with Directive 2002/95/CE (RoHS)

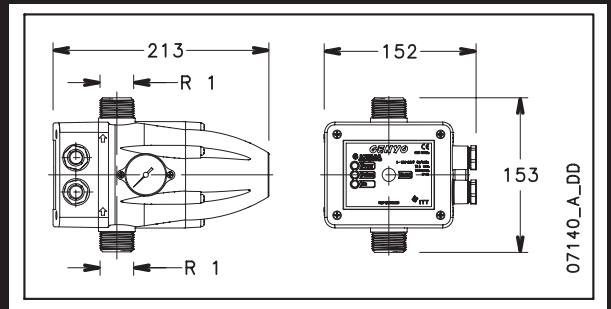
CE	According to 73/23/EEC (Low Voltage Directive)
	According to 89/336/EEC (EMC Directive)
	EN 60730 - 2 - 6, EN 61000 - 6 - 2 EN 61000 - 6 - 3

	C-Tick approval
--	-----------------

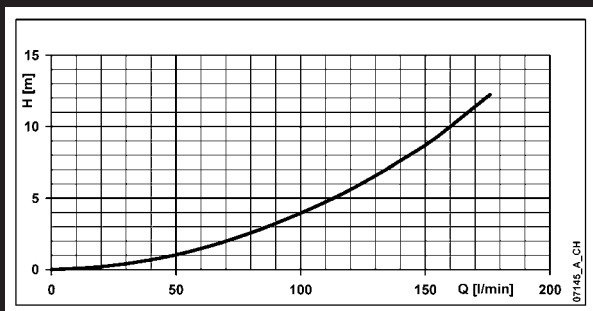
DIMENSIONAL DATA GENYO 8A



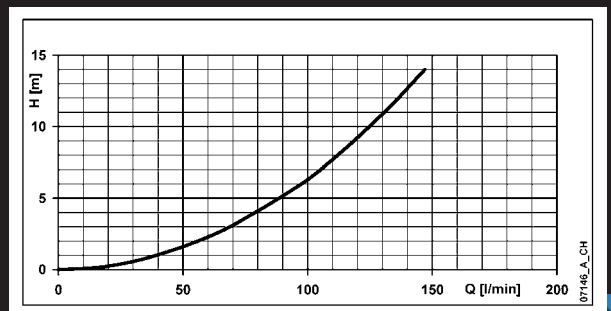
GENYO 16A



FLOW RESISTANCE DIAGRAM GENYO 8A



GENYO 16A



Engineered for life





ITT

Lowara

ITT Lowara introduces Genyo, the new range of compact electronic devices, pressure/flow switches for control and protection of electric pumps.

Genyo is controlled by an electronic circuit and is composed of a diaphragm and counteracting spring system integrated with flow and pressure sensors.

Genyo enables automatic control of pump start-up and shutdown based on actual water demand, preventing any pressure fluctuations at delivery points with constant operating point.

Genyo integrates multiple system controls into a single device.



BENEFITS

- ✓ **Protection against dry running** integrated in the device.
- ✓ **No maintenance required** (a convenient alternative to traditional diaphragm surge tanks).
- ✓ **Quick and easy installation.**
- ✓ **Compact size.**
- ✓ **Stable pressure without fluctuations** at constant operating point.

- ✓ **Back-up tank to compensate for small leaks or drips** in the hydraulic system (patented system).
- ✓ **Limited flow resistance.**

FOR GENYO 16A MODEL ONLY

- ✓ **Automatic restart** in case of water failure.
- ✓ **Adjustable starting pressure.**

Engineered for life



ITT

Lowara

Headquarters

LOWARA S.r.l.
36075 Montecchio Maggiore
Vicenza - Italy
Tel. (+39) 0444 707111
Fax (+39) 0444 492166
e-mail: lowara.mkt@itt.com - <http://www.lowara.com>

"RESIDENTIAL AND COMMERCIAL WATER GROUP - EMEA" SALES NETWORK

ITALY

MILANO 20090 Cusago - Viale Europa, 30
Tel. (+39) 02 90394188
Fax (+39) 0444 707176
e-mail: lowara.milano@itt.com

BOLOGNA 40132 - Via Marco Emilio Lepido, 178
Tel. (+39) 051 6415666
Fax (+39) 0444 707178
e-mail: lowara.bologna@itt.com

VICENZA 36061 Bassano del Grappa - Via Pigafetta, 6
Tel. (+39) 0424 566776 (R.A. 3 Linee)
Fax (+39) 0424 566773
e-mail: lowara.bassano@itt.com

PADOVA 35020 Albignasego - Via A. Volta, 56 - Zona Mandriola
Tel. (+39) 049 8801110
Fax (+39) 049 8801408
e-mail: lowara.bassano@itt.com

ROMA 00173 Via Frascineto, 8
Tel. (+39) 06 7235890 (2 linee)
Fax (+39) 0444 707180
e-mail: lowara.roma@itt.com

CAGLIARI 09122 - Via Dolcetta, 3
Tel. (+39) 070 287762 - 292192
Fax (+39) 0444 707179
e-mail: lowara.cagliari@itt.com

CATANIA 95027 S. Gregorio - Via XX Settembre, 75
Tel. (+39) 095 7123226 - 7123987
Fax (+39) 095 498902
e-mail: lowara.catania@itt.com



EUROPE

Pumpenfabrik ERNST VOGEL GmbH
A-2000 STOCKERAU
Ernst Vogel-Straße 2
Tel. (+43) 02266 604 - Fax (+43) 02266 65311
e-mail: vogelau.info@itt.com - <http://www.vogel-pumpen.com>

LOWARA DEUTSCHLAND GMBH
Biebigheimer Straße 12
D-63762 Großostheim
Tel. (+49) 0 60 26 9 43 - 0 - Fax (+49) 0 60 26 9 43 - 2 10
e-mail: lowarade.info@itt.com - <http://www.lowara.de>

LOWARA FRANCE S.A.S.
BP 57311
37073 Tours Cedex 2
Tel. (+33) 02 47 88 17 17 - Fax (+33) 02 47 88 17 00
e-mail: lowarafr.info@itt.com - <http://www.lowara.fr>

LOWARA FRANCE SAS Agence Sud
Z.I. La Sipièrre - BP 23
13730 Saint Victoret - F
Tel. (+33) 04 42 10 02 30 - Fax (+33) 04 42 10 43 75
<http://www.lowara.fr>

LOWARA NEDERLAND B.V.
Zandweistraat 22
4181 CG Waardenburg
Tel. (+31) 0418 655060 - Fax (+31) 0418 655061
e-mail: lowaranl.info@itt.com - <http://www.lowara.nl>

LOWARA PORTUGAL, Lda
Praçeta da Castanheira, 38
4475-019 Barca
Tel. (+351) 22 9478550 - Fax (+351) 22 9478570
e-mail: lowarapt.info@itt.com - <http://www.lowara.pt>

LOWARA PORTUGAL, Delegação
Quinta da Fonte - Edifício D. Pedro I
2770-071 Paço de Arcos
Tel. (+351) 21 0001628 - Fax (+351) 22 0001675

LOWARA UK LTD.
Millwey Rise, Industrial Estate
Axminster - Devon EX13 5HU
Tel. (+44) 01297 630200 - Fax (+44) 01297 630270
e-mail: lowaraukenquires@itt.com - <http://www.lowara.co.uk>

LOWARA IRELAND LTD.
59, Broomhill Drive - Tallaght Industrial Estate
Tallaght - DUBLIN 24
Tel. (+353) 01 4520266 - Fax (+353) 01 4520725
e-mail: lowara.ireland@itt.com - <http://www.lowara.ie>

LOWARA VOGEL POLSKA Sp. z o.o.
Ul. Worcella 16
PL-40-652 Katowice
Tel. (+48) 032 202 8904 - Fax (+48) 032 202 5452
e-mail: biuro@lowara-vogel.pl - <http://www.lowara-vogel.pl>

Lowara reserves the right to make modifications without prior notice.
cod. 191000761 P 09/06

Engineered for life