

# HANSEN<sup>™</sup>

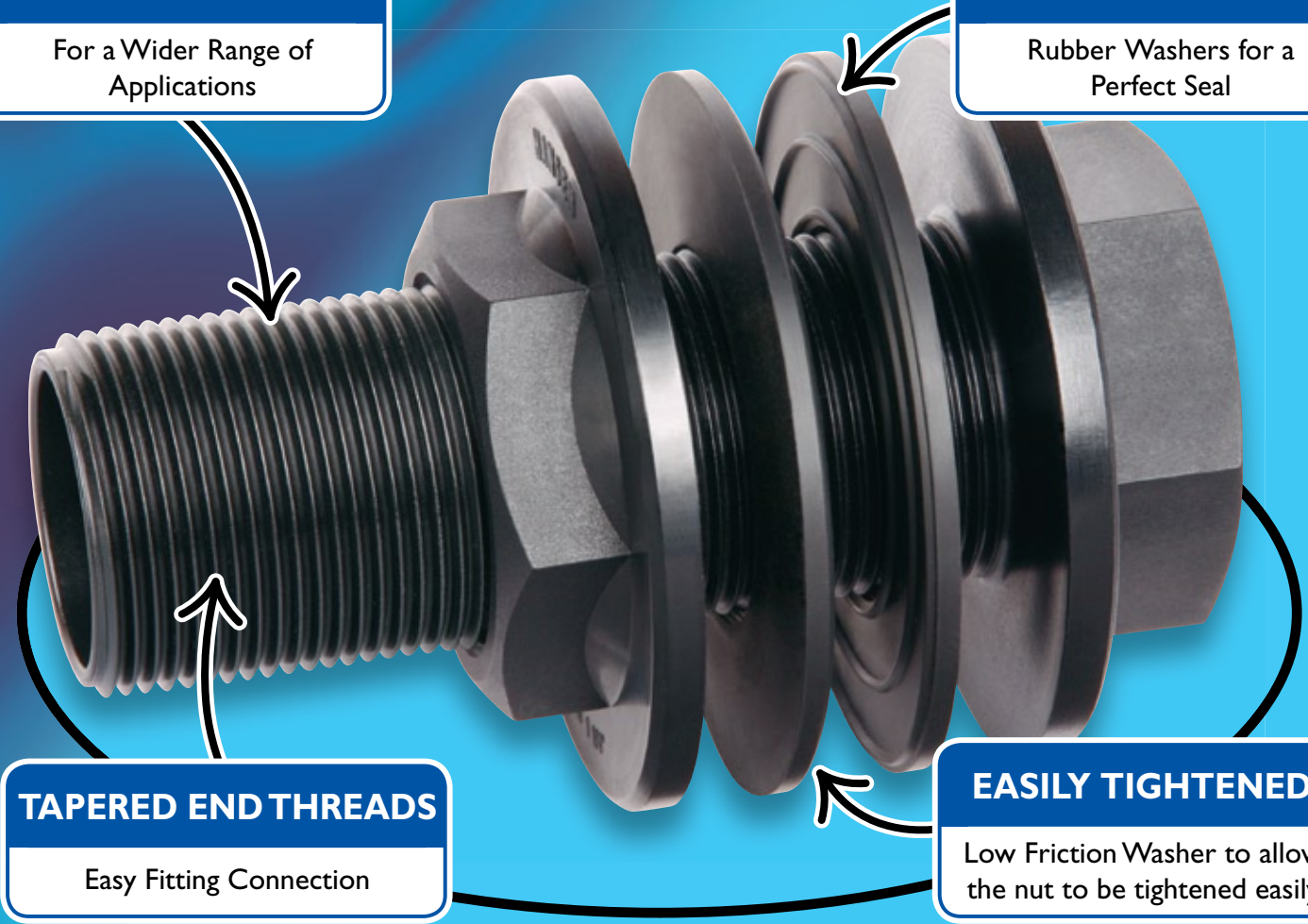
## THREADED PIPE FITTINGS

# FEMALE TANK FITTING

15mm to 50mm (1/2" - 2")

**EXTRA LENGTH**  
For a Wider Range of Applications

**PERFECT SEAL**  
Rubber Washers for a Perfect Seal



**TAPERED END THREADS**  
Easy Fitting Connection

**EASILY TIGHTENED**  
Low Friction Washer to allow the nut to be tightened easily



[www.hansenproducts.com](http://www.hansenproducts.com)



# There's More To Our Tank Fitting Than Meets The Eye!

Traditionally the Tank Fittings main use has been exactly as its name describes, for tanks! But in actual fact the Hansen Male and Female Tank Fittings have a greater variety of uses:

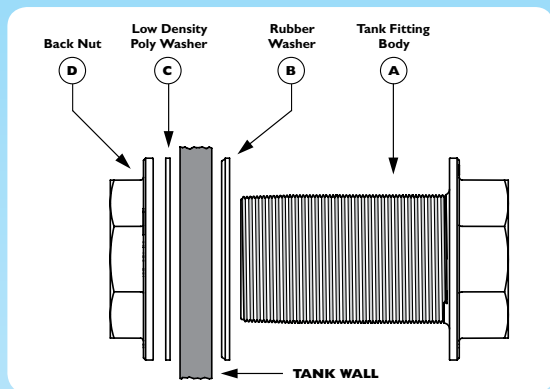
**Tanks, Troughs, Marine applications, Campers, Caravans, Irrigation, Home applications**

**Features & Benefits:** Manufactured from High Quality Glass Reinforced Nylon which is suitable for potable water. Also capable of handling a wide variety of other liquids as well (ask you dealer of details). Material strong enough to minimise potential cross threading. Weather, Termite, Fungi, Bacterial Resistant, UV Stabilised giving longer life span. Fire Rating: UL94HB.

## INSTALLATION STEPS

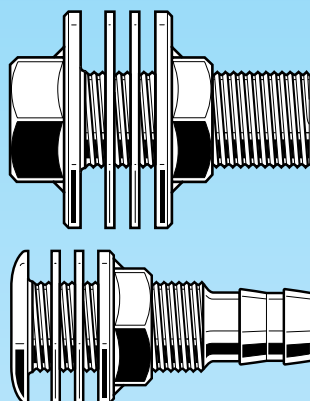
### INSTALLATION

1. Check tank manufacturers specific tank fitting installation requirements.
2. Prior to installing fittings, check the sealing surface for debris and/or scratches which could cause leakage.
3. Remove the Back Nut (D) and Low Density Poly Washer (C) from the Tank Fitting Body (A).
4. Slide the Tank Fitting Body (A) through the hole in the tank. The Rubber Washer (B) must be between the fitting body flange and the tank wall (ensure ribs on the Rubber Washer (B) are sealing against tank wall). Fit Low Density Poly Washer (C) and then Back Nut (D) on the tank fitting body thread and tighten.



## INSTALLATION TIPS

- To obtain proper washer compression for fitting installation ensure the face of the washers fully contacts the tank wall.
- Tighten the nut to ensure a water tight seal. Ensure that you comply with the tank manufacturers specifications.
- All pipe work must be adequately supported.
- It is recommended that either a thread sealing paste or thread sealing tape be used on all BSPT threaded connections.
- We recommend Loctite 5331.
- HANSEN™ Threaded Pipe Fittings can be used in conjunction with metal fittings.



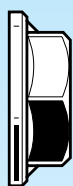
**SFTFT - Female Tank Fitting**  
Size in mm; 15, 20, 25, 32, 40, 50  
External Thread BSPT (Tapered) on the end merging into a BSPF Parallel thread. Internal thread BSPT (Tapered).

**STF (B) - Male Tank Fitting (Black)**

**STF (W) - Male Tank Fitting (White)**  
Size in mm; 15, 20, 25, 32, 40, 50  
Thread BSPF

Hansen have tested all its products for use with cold water up to a maximum temperature of 60°C (140°F). We do not recommend the use of these products with temperatures higher than 60°C (140°F) as plastic expands due to temperature increases. Hansen can not guarantee the products will perform when used with temperatures over 60°C (140°F). Hansen products that have failed in temperatures higher than 60°C (140°F) will not be covered by warranty.

## ALSO SOLD SEPARATELY

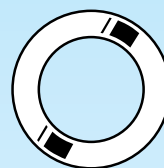


**SBN(B) - Black Backnut**  
**SBN(W) - White Backnut**  
(For Male Tank Fitting)  
Size in mm; 15, 20, 25, 32, 40, 50



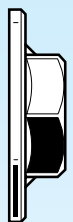
**SWB - Male Tank Fitting Washer (Black Rubber)**  
Thermoplastic Rubber.

**SWPB - Male Tank Fitting Washer (Black Polyethylene)**  
Low Density Polyethylene.  
Size in mm: 15, 20, 25, 32, 40, 50



**SWRW - Male Tank Fitting Washer (White Rubber)**  
Thermoplastic Rubber.

**SWP - Male Tank Fitting Washer (White Polyethylene)**  
Low Density Polyethylene.  
Size in mm: 15, 20, 25, 32, 40, 50



**SBNL - Large Backnut**  
(For Female Tank Fitting)  
Size in mm; 15, 20, 25, 32, 40, 50



**SWLR - Female Tank Fitting Washer (Black Rubber)**  
Thermoplastic Rubber.  
Size in mm: 15, 20, 25, 32, 40, 50

**SWLP - Female Tank Fitting Washer (Black Polyethylene)**  
Low Density Polyethylene.  
Size in mm: 15, 20, 25, 32, 40, 50

### CONVERSIONS

1/2" BSP — 15mm  
3/4" BSP — 20mm  
1" BSP — 25mm  
1 1/4" BSP — 32mm  
1 1/2" BSP — 40mm  
2" BSP — 50mm



**HANSEN PRODUCTS (NZ) LIMITED**  
P.O. BOX 809, WHANGAREI, NEW ZEALAND.  
PHONE: 64-9-430 4140 FAX: 64-9-430 4141  
EMAIL: [info@hansenproducts.com](mailto:info@hansenproducts.com)  
WEBSITE: [www.hansenproducts.com](http://www.hansenproducts.com)

Your Local Dealer:

**THE HANSEN GUARANTEE:** Hansen Products (NZ) Limited UNQUESTIONABLY GUARANTEE to replace any HANSEN™ product which has failed due to a manufacturing fault, and has been installed in the original condition as supplied by Hansen Products (NZ) Limited. We do not accept any liability whatsoever for any consequential damage or for any associated costs involved in repairing or replacing HANSEN™ products. This guarantee does not cover labour, travelling or freight expenses incurring in undertaking a replacement. Any replacement must be made through an authorised HANSEN™ stockist.

**HANSEN™** is the internationally registered trademark belonging to **HANSEN PRODUCTS (NZ) LIMITED**. With our policy of continuing product design and development, specifications, code numbers and items are subject to change without notice. The information given on this brochure is for guidance only. **HANSEN PRODUCTS (NZ) LIMITED** accepts no responsibility for the misuse or misapplication of this information. **Notice:** Products in this brochure are protected by intellectual property rights owned by the Hansen Group of Companies in New Zealand, Australia and other countries.