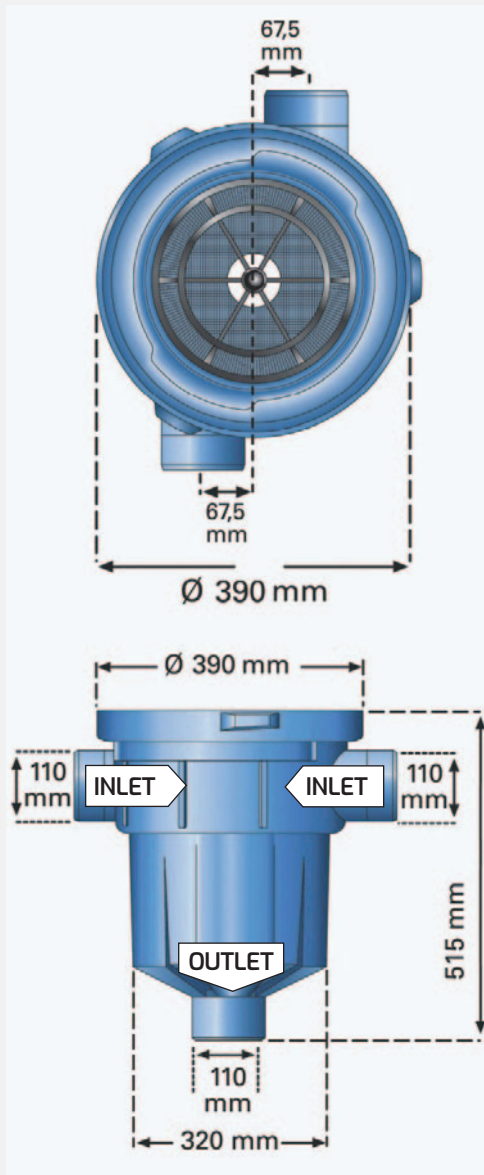


GARDEN FILTER (KIT A) Dimensions



KIT A For above and below ground tanks

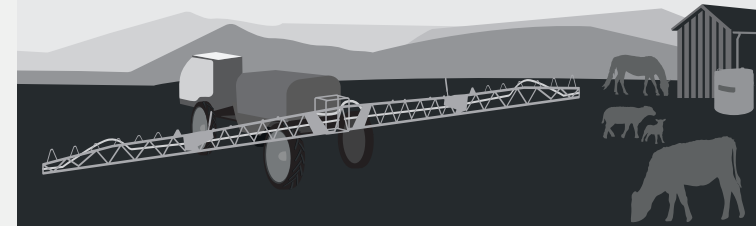


Tank sizes indicative and not drawn to scale.

Rainwater Filter Kit A INSTALLATION GUIDE



Roof area up to 200m^2
For tanks 1,200 to 10,000L



ENDURAMAXX®

www.enduramaxx.co.uk



01778 562810
enquiries@enduramaxx.co.uk

ENDURAMAXX®



Kit A161023

INSTALLING YOUR RAINWATER FILTER KIT CORRECTLY

Congratulations on your purchase of an Enduramaxx Rainwater Filter Kit.

Correct installation and regular maintenance should provide trouble free service for many years.

Please follow these instructions carefully, as correct installation is the sole responsibility of the purchaser.

CONTENTS OF RAINWATER FILTER KIT A

- Garden Filter with lid
- Overflow siphon tube
- Calmed inlet

Required, NOT supplied with kit

- Enough 110mm / 4" push fit downpipe to reach the bottom of the tank - not supplied



110mm / 4" push fit downpipe required – not supplied

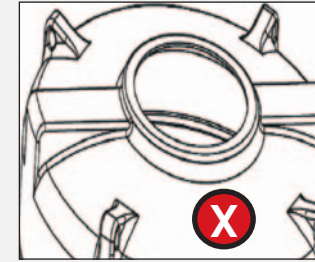
INSTALLATION STEPS - KIT A

- 1 Locate the tank into position and identify where you would like the filter to sit in relation to current pipe work on the building.
- 2 Ensure that the pipes leading into the filter are gently sloped to allow water to flow through the basket filter.
- 3 Decide whether you would like to use the hole from the screw lid on the water tank or whether you would be better to drill a purpose made hole to the side of the screw lid.
- 4 A typical point would be at the letter 'X' as illustrated.
- 5 Drill a suitable hole for the inlet pipe (not supplied).
- 6 Put the pipe through the hole.
- 7 Put the calmed inlet on the end of the pipe.
- 8 Continue to lower the pipe until the calmed inlet is touching the base of the tank.
- 9 Insert the filter unit onto the top of the pipe.

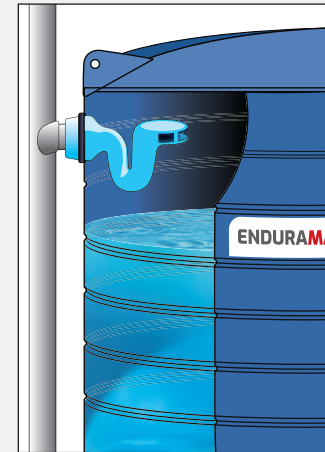
You will have something like the illustration shown on the right.

The purpose of the siphon overflow is to skim surface water and remove any floating contaminants. It should therefore be fitted as high as possible on the tank wall.

- 10 Drill a 130mm hole, remove the plastic nut and insert the siphon tube through from the inside of the tank.
- 11 Tighten the nut from the outside of the tank
- 12 Apply silicone around all the pipe and fitting joints connected to the tank.



Inserting the filter unit onto the top of the pipe



Siphon overflow



Further pipe and fittings may be required to finish connecting the unit to existing drainpipes and also drainage to a soakaway etc.

Our simple reliable and affordable rainwater filter kit systems are backed by the Enduramaxx guarantee

If you have any questions regarding the operation or warranty of this product, please contact us 01778 562810



ENDURAMAXX

www.enduramaxx.co.uk

