

Binding Procedure. OMNI V1

As simple as 1. 2. 3. Read the Binding instructions below fully before you begin. You do not need a binding plug on the receiver, it binds automatically. The transmitter does all the work. The transmitter must be turned off to start the procedure

First turn on the Rx-2 H Receiver then....

1. Take hold of the OMNI Tx-2.0 or 2.1 transmitter with two hands, and press down on the No. 3 button for BIND to start the binding procedure.
2. Keep pressing button 3 as you now turn the Transmitter on by pressing the red power button down, and then releasing it.
3. You must now immediately release the bind button to start the binding process and then press and release the bind button two more times. One, Two, Three. When you now release the button a third time, the power light will stay on steady, and the binding procedure is complete. Stages 2 and 3 together should take 2 – 3 seconds. Watch this video to see how it's done:

<https://www.youtube.com/watch?v=gPKrD2tHvUE>

Binding Procedure. OMNI V2

Now simpler than ever!

1. Turn on the Receiver (or the model, if it's already fitted inside) then....
2. Hold down black buttons 1 and 3, then turn on the transmitter
3. Successful binding is indicated by LED 2 going fully ON.
4. Release the two buttons and the job is done. LED 1 goes solid to indicate that the transmitter and receiver are linked.

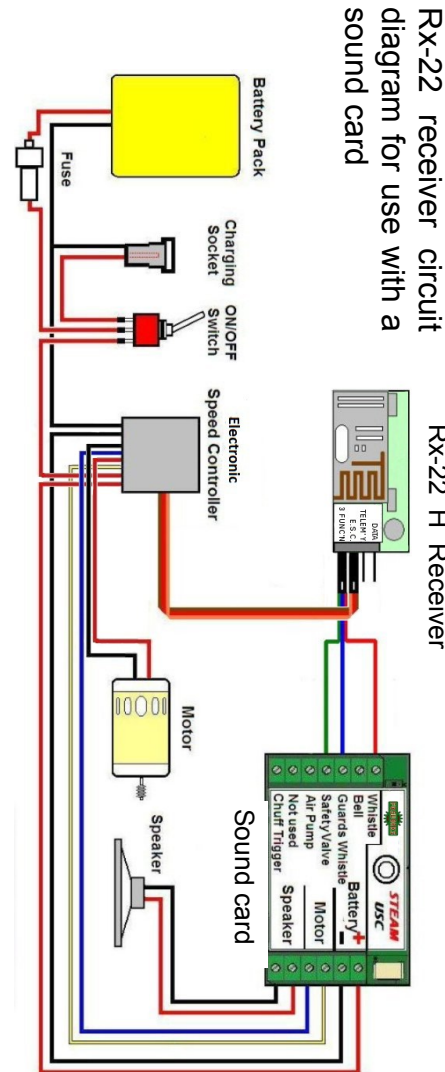
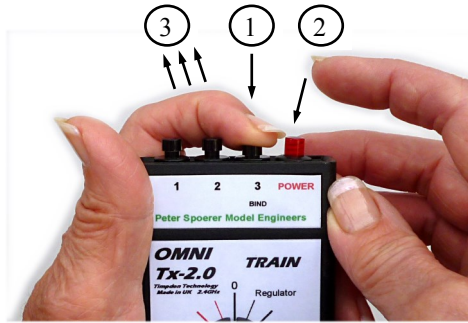
Features of the OMNI Rx22 receiver:

3 function outputs - each can be programmed as momentary or latched by using the calibration routine on the OMNI transmitter handset. See the Tx instructions for details. The Rx switches each of these outputs to negative (-ve) so if you are switching lights, a positive (+ve) feed of the appropriate voltage should be provided to the other side of the light.

DATA output - this provides a data stream for add on units such as the MCS1 and MCS2 switcher units. With these both linked up, the FRx22 can provide directional lighting and 11 function outputs.

Telemetry Input - for example a battery voltage monitor can be attached which indicates on the handset when the loco battery is getting low.

The OMNI R/C system is unique, in that when you wish to re-program it to suit the special needs for a particular loco, it is not the transmitter you are re-programming, but the receiver in the loco. In this way, one OMNI transmitter can control many different types of locos, each with its own very different requirements.



Up to 800 metre range
2.4GHZ
Telemetry input
3 Function Outputs
ESC Output and
OMNI Transmitters
For use with
42x19x11 mm
Receiver
H, V and LA versions
OMNI Rx-22

Technology by Timpdon Electronics



P.O.Box 675,
Blackburn, Lancs.
BB1 9DL
Tel/Fax. 0(44)1254
814675

OMNI FRx-22
Programmable 2.4GHz Receiver for
Electric models

For details of how to program this receiver please go to your OMNI transmitter instructions

or contact us by email on
sales@fosworks.co.uk

or send us a Stamped Address Envelope for a printed copy of the instructions.

