

Binding Procedure. OMNI V1

As simple as 1. 2. 3. Read the Binding instructions below fully before you begin. You do not need a binding plug on the receiver, it binds automatically. The transmitter does all the work. The transmitter must be turned off to start the procedure

First turn on the receiver then....

Take hold of the OMNI transmitter with two hands, and hold the No. 3 button to start the binding procedure.

Keep pressing button 3 as you now turn the Transmitter on by pressing the red power button down, and then releasing it and then immediately release the bind button to start the binding process and then press and release the bind button two more times. One, Two, Three. When you now release the button a third time, the power light will stay on steady, and the binding procedure is complete. Stages 2 and 3 together should take 2 – 3 seconds. Watch this video to see how it's done:

<https://www.youtube.com/watch?v=gPKrD2tHvUE>

Binding Procedure. OMNI V2 - Now simpler than ever!

1. Turn on the Receiver (or the model, if it's already fitted inside) then....
2. Hold down black buttons 1 and 3, then turn on the transmitter
3. Successful binding is indicated by LED 2 going ON.
4. Release the two buttons and the job is done. LED 1 goes solid to indicate that the transmitter and receiver are linked.

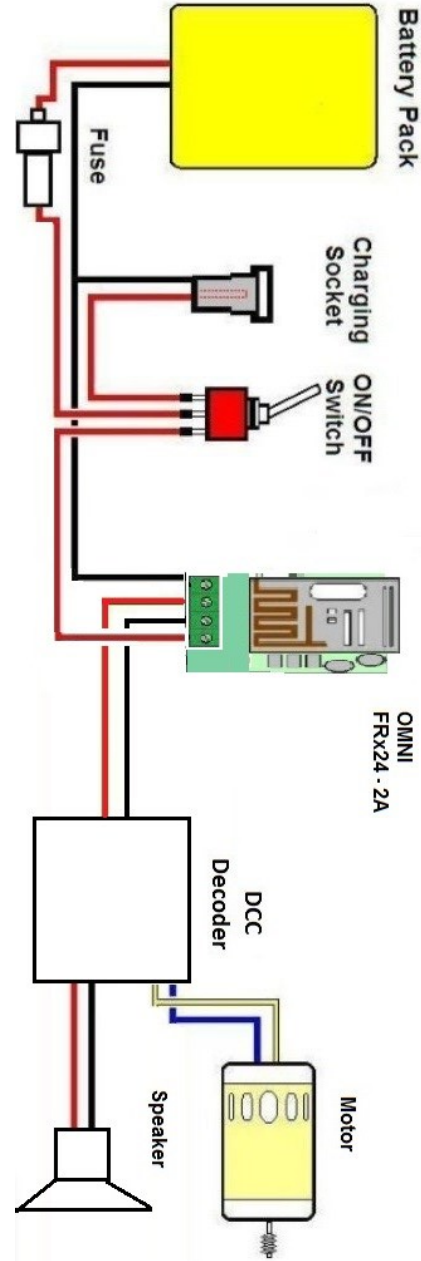
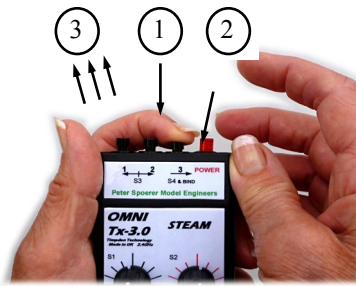
Programming the OMNI system to suit your needs.

The OMNI R/C system is ideal, in that when you wish to re-program it to suit the special needs for a particular loco, it is not the transmitter you are re-programming, but the receiver in the loco. In this way, one OMNI transmitter can control many different types of locos, each with its own very different requirements, with no need for model memories in the transmitter.

It is possible to change all of the function buttons from Momentary to latching - see your transmitter instructions for details. By default the F1 function is set to latching.

The standard Rx24 is supplied to operate with DCC decoder address 03. Other values must be specified at the time of ordering. (Only short addresses are possible)

The standard Rx24 does not have the ESC connection and is designed to operate the motors directly with the DCC decoder, you must make sure that the continuous current demand of the motors is not likely to exceed the capability of both the receiver and decoder.



For details of how to program this receiver please go to your OMNI transmitter instructions, or contact us by email on sales@fosworks.co.uk

OMNI Rx-24
2A
Receiver
For use with
OMNI Tx-4 series and Tx-5
Series Transmitters
Programmable
24 Function Operation
2.4GHz
Up to 800 metre range
2A continuous load
Default decoder address 03
(other addresses can be supplied
on request)



P.O.Box 675
Blackburn, Lancs.
BB2 9QJ
Tel/Fax. 0(+44)1254
814675

OMNI Rx24-2A
Programmable 2.4GHz Receiver
For DCC decoders
With 24 functions

