

OMNI Tx-4.2 DCC 2.4GHz Handheld Transmitter

You no longer need that big transmitter anymore! The programmable **OMNI Tx-4.2** handheld transmitter will control your garden railway electric locomotives perfectly from the palm of your hand. An **Omni FRx-24** receiver will be needed to work with the **OMNI Tx-4.2** transmitter in DCC mode, but the Tx4.2 will also operate our standard r/c FRx22 receivers installed in analogue DC models. It is also compatible with earlier OMNI Rx2 and Rx4 receivers

2.4GHz gives perfect glitch free control for up to 800 metres range with no obstructions.

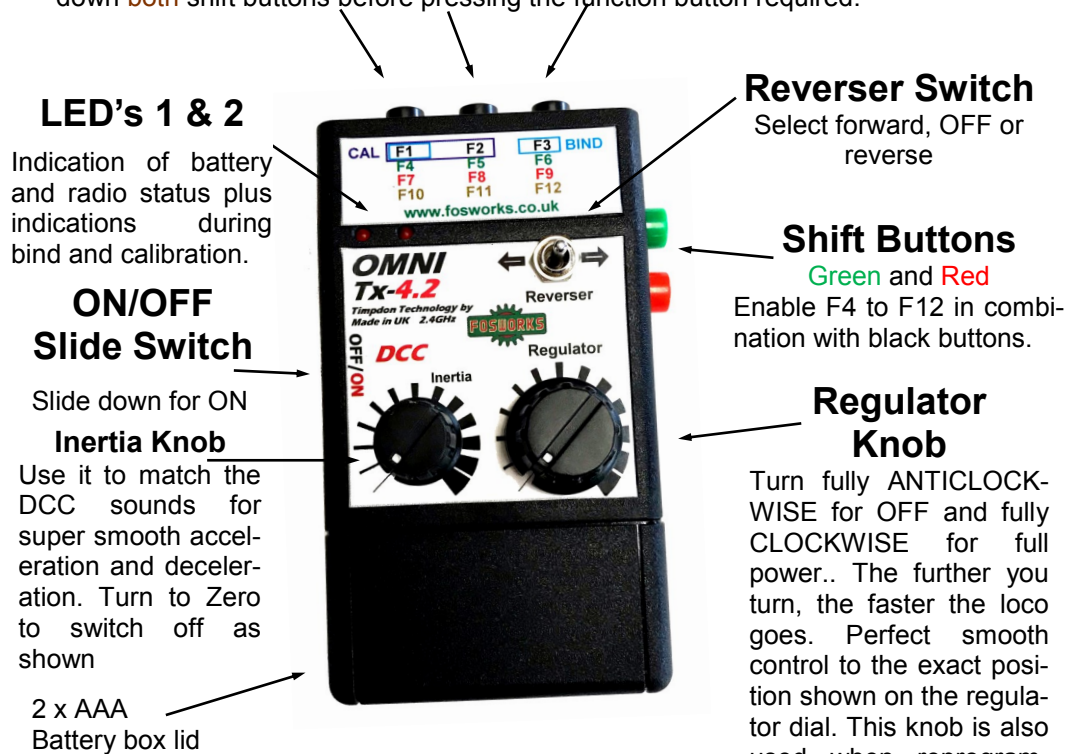
The Regulator Knob controls speed and direction is controlled by the Reverser switch. Cruise control is possible by turning off the transmitter while the train is running. Turn back on to instantly regain control.

FUNCTION Buttons 1.2.3 / 4.5.6 / 7.8.9 / 10.11.12

Buttons 1,2, and 3. Operate functions 1-12 in conjunction with the two shift buttons.

These buttons are also used to re-program a receiver.

Functions 4,5, and 6 are operated by holding the **green** shift button **first**, buttons 7,8 and 9 by holding the **red** shift button **first** and functions 10,11 and 12 by holding down **both** shift buttons before pressing the function button required.



If Alkaline batteries are used up to 100 hours of continuous use is possible

OMNI Tx-4.2 DCC

Programmable 2.4GHz Transmitter
For electric models with DCC decoders and ESC, with Inertia Or analogue DC models with up to 12 functions



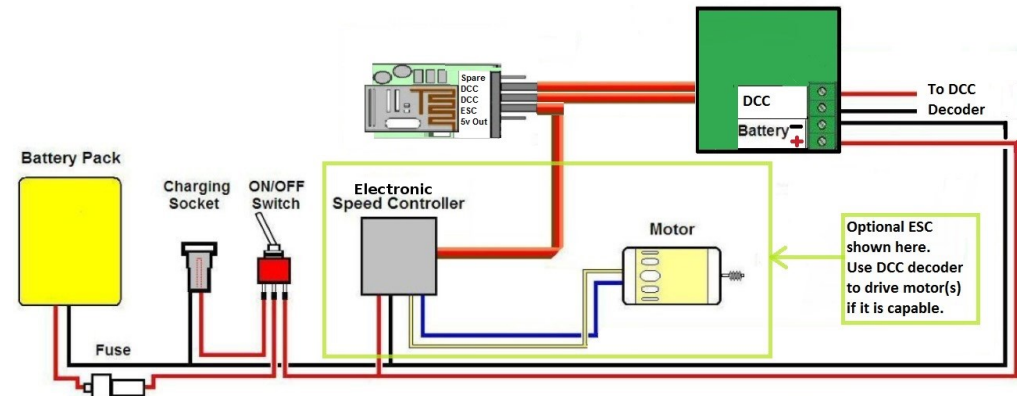
P.O.Box 675
Blackburn, Lancs.
BB2 9QJ
UK



Full travel Regulator Knob plus Reverser switch
Inertia control for super smooth acceleration and braking
Plus 12 function buttons for DCC or DC operation
2.4GHz Blue Tooth Technology by Timpdon Electronics
User programmable.

Requires an **OMNI Rx4 or FRx24** receiver with DCC interface module or OMNI FRx22 with optional MCS switchers

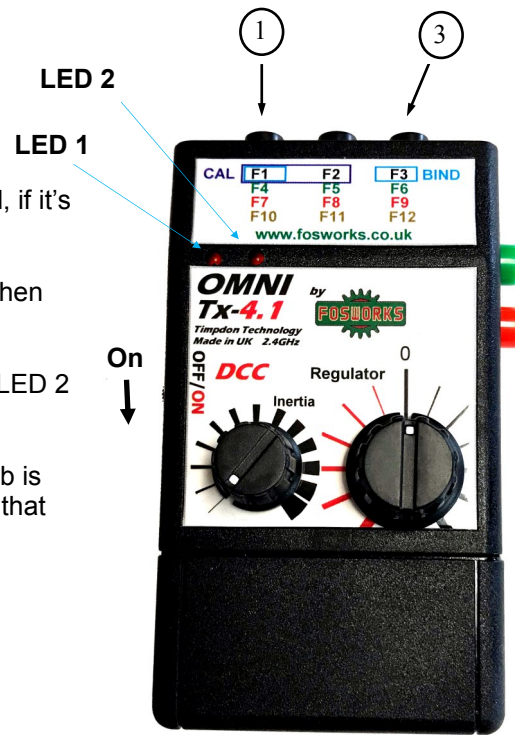
FRx-24 receiver circuit diagram for use with a DCC Interface module.



Binding Procedure.

Now simpler than ever!

1. Turn on the Receiver (or the model, if it's already fitted inside) then....
2. Hold down black buttons 1 and 3, then turn on the transmitter
3. Successful binding is indicated by LED 2 going ON.
4. Release the two buttons and the job is done. LED 1 goes solid to indicate that the Transmitter and receiver are linked.



Re-Programming the top Buttons for momentary or latching operation

(All are momentary by default, except F1 on FRx24 DCC receivers, which is latching by default)

This procedure must be started within 20 seconds of turning on the receiver, therefore start with the transmitter off and the model switched on. See our website for a link to video instructions.

First you must put the transmitter into **Button Calibration Mode** :-

1. With the Transmitter turned **Off**. Press and **hold button 1 and 2**.
2. Turn the Transmitter **On**.
3. Both LED's will start flashing, then go solid, indicating successful entry to the Button Calibration mode. At this point, **release** the two buttons. LED 2 now starts flashing.

Once in Button Calibration Mode, there is no exit except Transmitter power **Off**.

CHANGING BUTTONS FROM MOMENTARY TO LATCHING

The Regulator control knob is used to change the function of a button from latching to Momentary or Vice Versa. Turn it in the desired direction and the given button will be changed.

Fully **anti-clockwise** = **Momentary** Fully **clockwise** = **Latched**

Press the required buttons to save the setting for a function.

For example if you want function 12 to be latching, turn the regulator fully clockwise and press both shift buttons followed by button 3.

You can now select another button to change, or turn the transmitter off.

Should you wish to reset the centre Off stop position, please contact me by email at

sales@fosworks.co.uk

If you do not have a computer, please call us on 01254 814675

Low battery warning

When the batteries in the handset get too low for reliable operation, both LED 1 and 2 start flashing together. Replace them with quality alkaline AAA cells for the best results,

Programming the OMNI system to suit your needs.

Your OMNI transmitter and receiver comes to you all pre-set and ready to run DCC electric trains. Forwards and Backwards on the regulator knob and the three top black buttons can activate sounds via the DCC interface module. Normally there should be no need to change these settings, However...

The OMNI R/C system is ideal, in that when you wish to re-program it to suit the special needs for a particular loco, it is not the transmitter you are re-programming, but the receiver in the loco. The Transmitter tells the receiver what is expected of it in the future, and it is the receiver that remembers it. In this way, one OMNI transmitter can control many different types of locos, each with its own very different requirements.

It is possible to change all or just one of functions from Momentary to latching.