

# Specification **RoHS**

Series	SF66BD Series	Version:A/0
Description	Illuminated Buzzer Emergency Stop Switches	

Customer	
----------	--

Item no.	Description
SF66BD022L	66mm,Emergency stop switches,RGB LED ring warning light

Approved by

Date: / /



<b>Emergency Stop Switches</b>		
Two ways of resetting		Pulling and Turning
Illuminated style	Full face or spot or without LED	Ring
Terminal type	DIP(through hole) or SMD or hand Soldering	Connector
Operating temperature	Normal humidity, normal press	-25~60°C
Outside dimension	Shall conform to the assembly drawings. (W*D*H)	Please see drawing
Contact Resistance	Applying a static load twice the actuating force to the center of the stem, measurements shall be made with low-current contact resistance meter.	500 milli ohm max (initial)
Insulation Resistance	Measurements shall be made following application of DC 100 V potential across terminals and across terminals and frame for one minute.	100 Meg ohm min
Operating Force	Placing the switch such that the direction of switch operation is vertical, the force to withstand a pull applied opposite to the direction of stem operation.	Push to lock: 1100 gf Pull to reset: 900 gf Turn to reset: 1700 gf-cm
Total travel	Placing the switch such that direction of switch operation is vertical and then applying a static load twice the actuating force to the center of the stem, the travel distance for the stem to come to a stop shall be measured.	4.5 mm
Mechanical life	Without resistive load. Rate of operation: 5 to 6 operations per minute.	100,000 Cycles Min.

IP Code	IEC 60529 Edition 2.2:2013	Front Panel IP65
---------	----------------------------	------------------

Switch Load (Pin 2,3,7,8)	0.75A/250V AC ; 1A/30V DC
---------------------------	---------------------------

<b>Packaged</b>		
Minimum Package Quantity (MPQ)	Quantity Plastic Tray / Taping reel / Plastic bag / Carton	1 pieces Carton



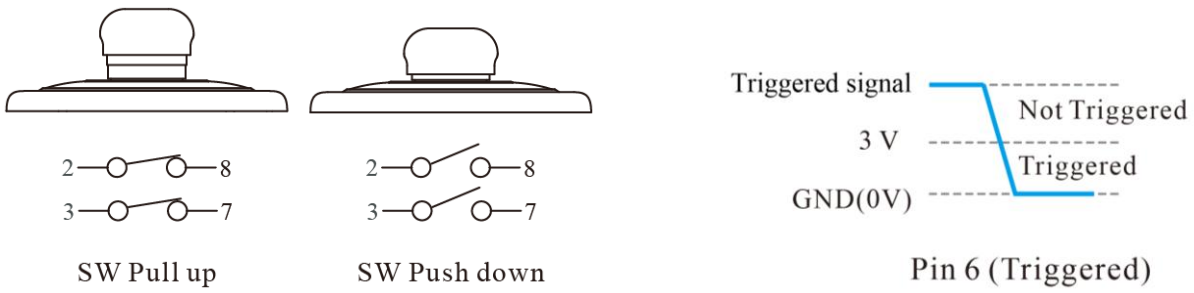
<b>Material</b>		
No	Part name	Material
1	Housing	PC
2	Diffuser	PC
3	Cap	PC
4	Rubber washer	Rubber
5	Front bezel	ABS

## Pin Description

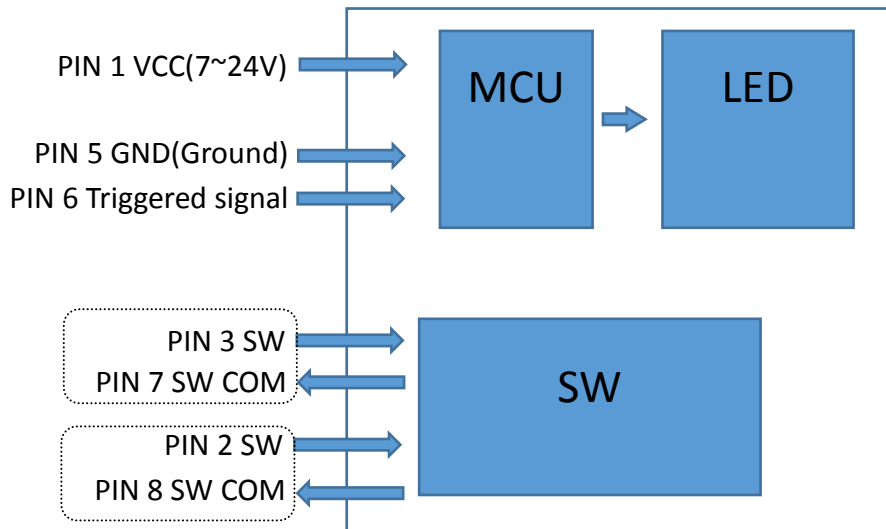
Pin	Function	Cable color
1	VCC (7~24V)	Black
2	Switch 2	Brown
3	Switch 1	Red
4	NON	Orange
5	GND (Ground)	Yellow
6	Triggered signal	Green
7	Switch 1 com	Blue
8	Switch 2 com	Purple

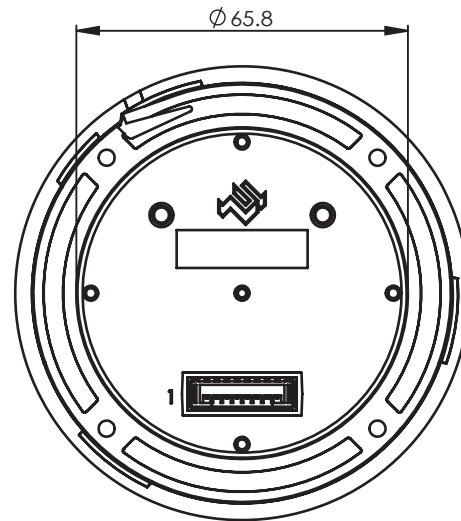
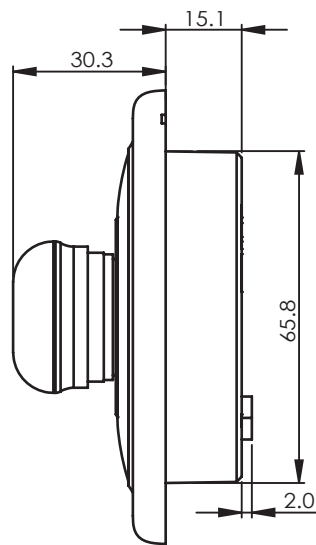
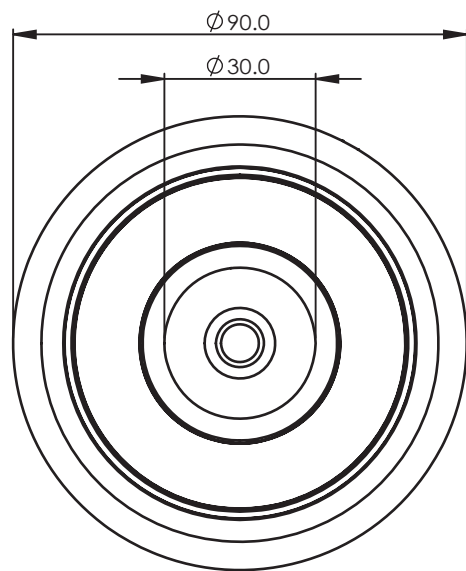
Not Triggered mode	Triggered mode
Yellow Led	Red Led



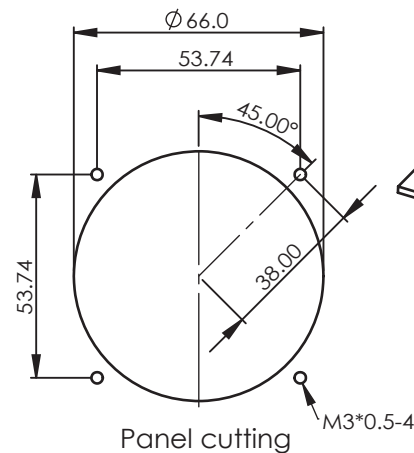
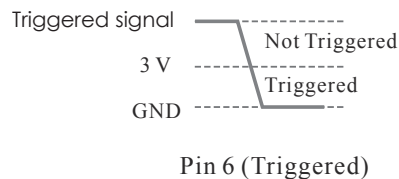
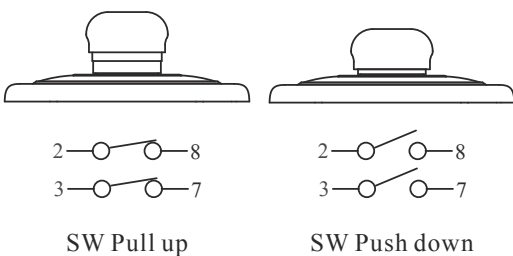
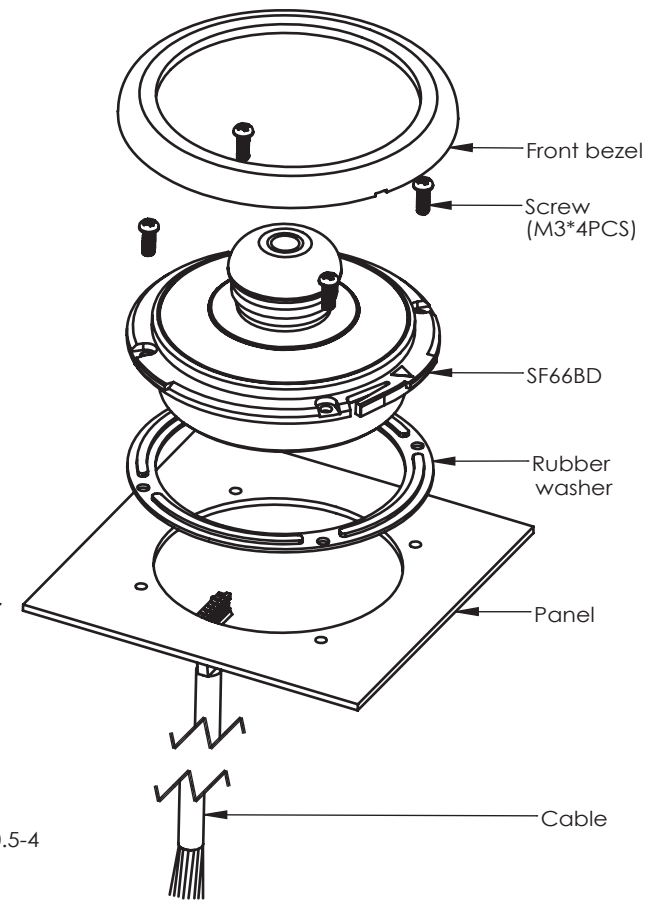


## Block Diagram





Installation Notes



Pin	Function	Cable color
1	VCC (7~24V)	Black
2	Switch 2	Brown
3	Switch 1	Red
4	NON	Orange
5	GND (Ground)	Yellow
6	Triggered signal	Green
7	Switch 1 com	Blue
8	Switch 2 com	Purple

Not Triggered mode	Triggered mode
Yellow Led	Red Led

The Connector for SF66BB module similar JST B8B-PH-SM4-TB  
 Applicable Connector:  
 Conductor pitch / 2.0mm  
 Conductor width / 0.5mm

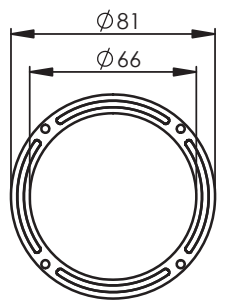
0.000°±0.25°	0.000±0.005	NAME	DATE
0.00°±0.5°	0.00±0.05	DRAWN	Eva Hsu 2020/5/21
0.0°±1°	0.0±0.2	CHK'D	Zoe Huang 2020/5/21
0°±2°	0±0.5	APP'VD	
ANGULAR:	LINEAR:	最後修訂日期 Last Save Date	2020/5/21
TOLERANCES:		圖檔 : 05-DR-01	UNIT : mm


**尚圍股份有限公司**  
**SHANPU CO., LTD**

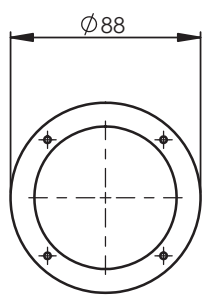
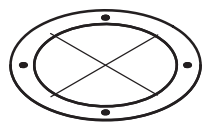
TITLE: **SF66BD0 □ 2L**  
 圖名:

Description:  
 說明: **Ø 66mm, Emergency stop switches, RGB LED ring warning light**

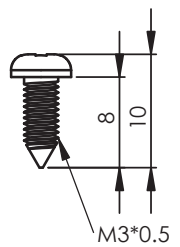
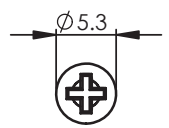
SCALE: 1:1.5    版本 EDITION    A/0    SHEET 1 OF 1



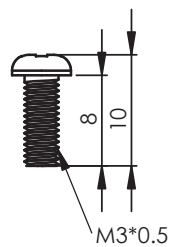
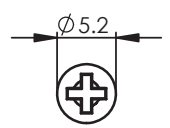
Rubber washer  
Part No:YWA008  
SCALE:1:2



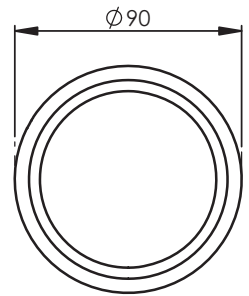
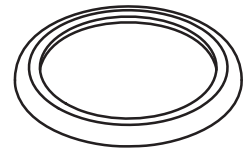
Drilling sticker  
Part No:YSK003  
SCALE:1:3.5



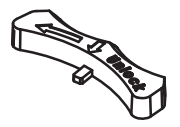
Tapping Screw  
Part No:YSC019\*4pcs  
SCALE:2:1



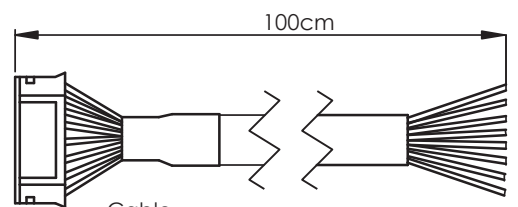
Machine Screw  
Part No:YSC020\*4pcs  
SCALE:2:1



Front bezel  
Part No:YCA133 □  
SCALE:1:2



Key  
Part No:YPA044  
SCALE:1:2



Cable  
Part No:YCW025  
SCALE:1:1  
Conductor pitch / 2.0mm  
Conductor width / □0.5mm

- 1 Black
- 2 Brown
- 3 Red
- 4 Orange
- 5 Yellow
- 6 Green
- 7 Blue
- 8 Purple

			NAME	DATE
		DRAWN	Eva Hsu	2019/7/1
0.0°±1°	0.0±0.5	CHK'D	Zoe Huang	2019/7/1
0°±2°	0±1.0	APP'VD		
ANGULAR:	LINEAR:	最後修訂日期 Last Save Date		2019/7/1
TOLERANCES:		圖框: 05-DR-01	UNIT: mm	


**尚圃股份有限公司**  
**SHANPU CO., LTD**

TITLE: 圖名	SF66BD		
Description: 說明:	Accessories		
SCALE:1:2	版本EDITION	A/0	SHEET 1 OF 1