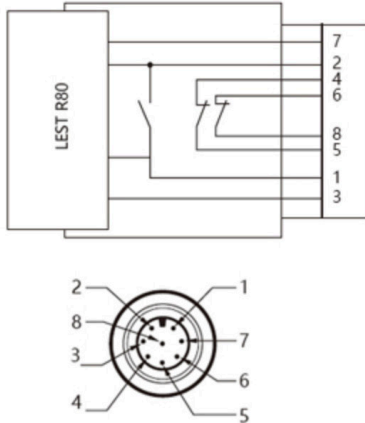
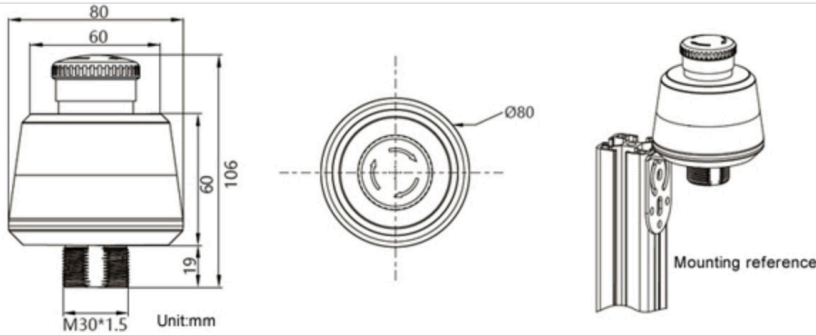


Illuminated Emergency Button

In stock with 2 meter cable. Yellow LED during normal Operation then goes to Red when Emergency Stop has been actuated. 24VDC version only. Quick Disconnect version available but not in stock.





No.	Wire color	Function
1	White	NO1 B
2	Brown	DC12-30V, NO1 A
3	Green	Stop signal input
4	Yellow	NC2 A
5	Black	NC2 B
6	Orange	NC1 A
7	Blue	GND 0V
8	Red	NC1 B

Item No.	R80 Red-Yellow
Standard voltage	DC 12-30V
Maximum current(LED color)	150mA@12V dc, 80mA @24V dc, 60mA@30V dc
Press button	Insulation resistance: >100MΩ; Impulse withstand voltage:2500VAC One minute Life cycle:>250,000 times
Color options	Red, Yellow,Red Solid On or Flashing
LED flash rate	1.6Hz at 50% duty cycle
	>7.2V, Input impedance 10K
Electrical protection	Over current protection, Over voltage protection, Reverse connection protection
IP rating	IP65
Vibration resistance	10Hz to 500Hz, amplitude 0.35mm acceleration 50m/s ²
Shock resistance	150m/s ²
Connection	1meter cable or M12 QD with 30cm cable
Working temperature (°C)	-20°C~50°C
Max Op. Relative Humidity	95% at50°C
Dimension	80mmx106mm(ODxH)
Mounting thread	M30x1.5mm
Material	ABS and Polyamide
Approval	CE FCC
Feature	Combine Emergency stop and indication functions. More convenient M30x1.5 thread, Easy to install 40mm button diameter, industrial standard, TUV approval, safe and reliable Latest LED technology. Red, Yellow. When press button, Red Steady ON or Flashing.

For more information,
to purchase or
for any questions,
please contact
Brian Thomas...

(262) 652-8660
safetysensing@earthlink.net
www.safeworkplace.org
www.safetysensingcontrols.com