

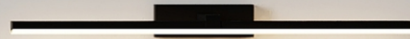


Jet-Air
Cool, Warm & Collected



Q PLUS WINE INVERTER

- 10 Year Inverter Compressor Warranty
- Wired Controller (Optional Extra)
- 3D Airflow
- 7 Fan Speed Mode (Indoor)
- Energy Saving
- Wide Voltage Range
- Gold Fin
- I Feel



Wired Controller
(Optional Extra)



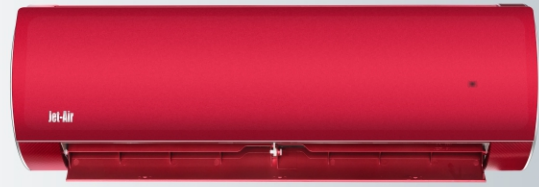
3D Airflow



7 Fan Speed

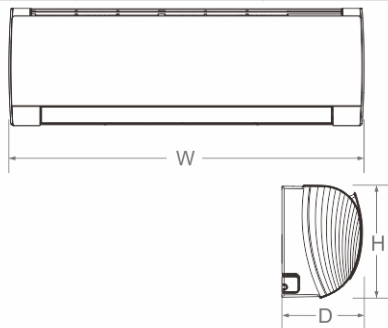


AI Rosense

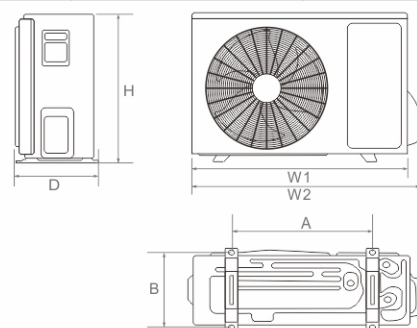


Model			JASA-H09A4/QWI	JASA-H12A4/QWI	JASA-H18A4/QWI	JASA-H24A4/QWI	JASA-H30A4/QWI	JASA-H36A4/QWI
Power Supply		V~,Hz,Ph	220~240,50,1	220~240,50,1	220~240,50,1	220~240,50,1	220~240,50,1	220~240,50,1
Capacity	Cooling	W	2650	3500	5100	7034	8900	10550
	Heating	W	2700	3650	5200	7034	9700	10550
Performance		EER/COP	3.45/4.00	3.01/3.68	3.01/3.41	3.21/3.61	3.41/3.70	3.52/3.80
Electric Data	Rated Cooling Power Input	W	768	1162	1694	2191	2610	3000
	Rated Heating Power Input	W	675	992	1525	1954	2621	2776
	Rated Cooling Current	A	3.40	4.82	7.23	9.77	11.50	13.50
	Rated Heating Current	A	3.00	4.80	6.42	8.90	11.60	13.00
Indoor	Indoor Air Flow	m³/h	610/570/540/470/ 440/420/390	680/620/560/490/ 450/420/390	850/800/750/700/ 680/650/630	1250/1150/1050/950/ 870/800/700	1500/1100/1050/950/ 900/850/800	1450/1100/1050/950/ 850/800/750
	Noise Level	dB(A)	40/37/36/33/31/29/28	42/38/36/34/32/30/27	47/44/42/41/38/36/35	48/45/42/39/36/34/31	53/46/44/41/40/38/36	52/45/43/40/38/36/34
	Outline Dimension (W×H×D)	mm	935×349×273	935×349×273	1055×366×287	1172×398×322	1172×398×322	1172×398×322
	Package Dimension (W×H×D)	mm	953×358×288	953×358×288	1077×375×300	1190×407×335	1190×407×335	1190×407×335
	Weight Net/Gross	kg	11.0/13.0	11.0/13.0	14.0/16.5	17.0/20.0	16.5/19.5	16.5/19.5
Outdoor	Noise Level	dB(A)	51	52	56	56	60	62
	Outline Dimension (W×H×D)	mm	732×555×330	732×555×330	732×555×330	958×660×402	958×660×402	1000×746×427
	Package Dimension (W×H×D)	mm	794×615×376	794×615×376	794×615×376	1032×737×456	1032×737×456	1080×810×483
	Weight Net/Gross	kg	24.5/27.0	24.5/27.0	27.0/29.5	43.0/47.5	42.0/46.5	50.0/55.0
Refrigerant Type		g	R410A/640	R410A/700	R410A/1000	R410A/1500	R410A/1600	R410A/1800
Refrigerant Pipe	Gas	inch	3/8"	3/8"	1/2"	5/8"	5/8"	5/8"
	Liquid	inch	1/4"	1/4"	1/4"	1/4"	1/4"	1/4"
	Max Length	m	15	20	25	25	25	25
	Max Height	m	10	10	10	10	10	10

Indoor Dimension		
Model	WxHxD(mm)	Packing Dimension
JASA-H09A4/QWI	935×349×273	953×358×288
JASA-H12A4/QWI	935×349×273	953×358×288
JASA-H18A4/QWI	1055×287×366	1077×300×375
JASA-H24A4/QWI	1172×322×398	1190×335×407
JASA-H30A4/QWI	1172×322×398	1190×335×407
JASA-H36A4/QWI	1172×398×322	1190×407×335



Outdoor Dimension			
Model	W1(W2)xHxD(mm)	Packing Dimension	AxB(mm)
JASA-H09A4/QWI	685(732)×555×330	794×615×376	455×312
JASA-H12A4/QWI	685(732)×550×330	794×615×376	455×312
JASA-H18A4/QWI	685(732)×555×330	794×615×376	455×312
JASA-H24A4/QWI	948(958)×660×402	1032×737×456	570×370
JASA-H30A4/QWI	948(958)×660×402	1032×737×456	570×370
JASA-H36A4/QWI	923(1000)×746×427	1080×810×483	609×395



Due to JASA policy of constant improvement, specifications are subject to change without prior notice.

Remarks: Cooling capacities are based on indoor air temp. 27°C DB, 19°C WB and outdoor air temp. 35°C DB, 24°C WB. The above specifications are subject to change without prior notice for product improvement.

E.&O.E.

