

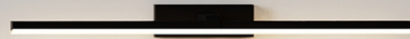


**Jet-Air**  
Cool, Warm & Collected



## Q PLUS WINE INVERTER

- 10 Year Inverter Compressor Warranty
- Wired Controller (Optional Extra)
- 3D Airflow
- 7 Fan Speed Mode (Indoor)
- Energy Saving
- Wide Voltage Range
- Gold Fin
- I Feel



Wired Controller  
(Optional Extra)



3D Airflow



7 Fan Speed

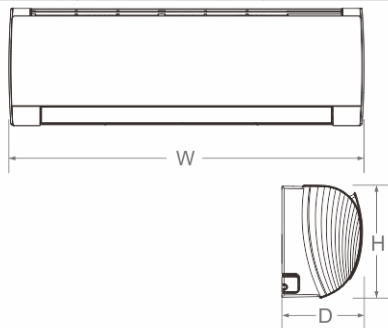


AI Rosense

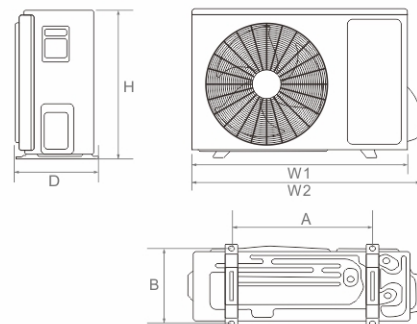


| Model            |                           |                   | JASA-H09A4/QWI                  | JASA-H12A4/QWI                  | JASA-H18A4/QWI                  | JASA-H24A4/QWI                     | JASA-H30A4/QWI                     | JASA-H36A4/QWI                     |
|------------------|---------------------------|-------------------|---------------------------------|---------------------------------|---------------------------------|------------------------------------|------------------------------------|------------------------------------|
| Power Supply     |                           | V~,Hz,Ph          | 220~240,50,1                    | 220~240,50,1                    | 220~240,50,1                    | 220~240,50,1                       | 220~240,50,1                       | 220~240,50,1                       |
| Capacity         | Cooling                   | W                 | 2650                            | 3500                            | 5100                            | 7034                               | 8900                               | 10550                              |
|                  | Heating                   | W                 | 2700                            | 3650                            | 5200                            | 7034                               | 9700                               | 10550                              |
| Performance      |                           | EER/COP           | 3.45/4.00                       | 3.01/3.68                       | 3.01/3.41                       | 3.21/3.61                          | 3.41/3.70                          | 3.52/3.80                          |
| Electric Data    | Rated Cooling Power Input | W                 | 768                             | 1162                            | 1694                            | 2191                               | 2610                               | 3000                               |
|                  | Rated Heating Power Input | W                 | 675                             | 992                             | 1525                            | 1954                               | 2621                               | 2776                               |
|                  | Rated Cooling Current     | A                 | 3.40                            | 4.82                            | 7.23                            | 9.77                               | 11.50                              | 13.50                              |
|                  | Rated Heating Current     | A                 | 3.00                            | 4.80                            | 6.42                            | 8.90                               | 11.60                              | 13.00                              |
| Indoor           | Indoor Air Flow           | m <sup>3</sup> /h | 610/570/540/470/<br>440/420/390 | 680/620/560/490/<br>450/420/390 | 850/800/750/700/<br>680/650/630 | 1250/1150/1050/950/<br>870/800/700 | 1500/1100/1050/950/<br>900/850/800 | 1450/1100/1050/950/<br>850/800/750 |
|                  | Noise Level               | dB(A)             | 40/37/36/33/31/29/28            | 42/38/36/34/32/30/27            | 47/44/42/41/38/36/35            | 48/45/42/39/36/34/31               | 53/46/44/41/40/38/36               | 52/45/43/40/38/36/34               |
|                  | Outline Dimension (W×H×D) | mm                | 935×349×273                     | 935×349×273                     | 1055×366×287                    | 1172×398×322                       | 1172×398×322                       | 1172×398×322                       |
|                  | Package Dimension (W×H×D) | mm                | 953×358×288                     | 953×358×288                     | 1077×375×300                    | 1190×407×335                       | 1190×407×335                       | 1190×407×335                       |
|                  | Weight Net/Gross          | kg                | 11.0/13.0                       | 11.0/13.0                       | 14.0/16.5                       | 17.0/20.0                          | 16.5/19.5                          | 16.5/19.5                          |
| Outdoor          | Noise Level               | dB(A)             | 51                              | 52                              | 56                              | 56                                 | 60                                 | 62                                 |
|                  | Outline Dimension (W×H×D) | mm                | 732×555×330                     | 732×555×330                     | 732×555×330                     | 958×660×402                        | 958×660×402                        | 1000×746×427                       |
|                  | Package Dimension (W×H×D) | mm                | 794×615×376                     | 794×615×376                     | 794×615×376                     | 1032×737×456                       | 1032×737×456                       | 1080×810×483                       |
|                  | Weight Net/Gross          | kg                | 24.5/27.0                       | 24.5/27.0                       | 27.0/29.5                       | 43.0/47.5                          | 42.0/46.5                          | 50.0/55.0                          |
| Refrigerant Type |                           | g                 | R410A/640                       | R410A/700                       | R410A/1000                      | R410A/1500                         | R410A/1600                         | R410A/1800                         |
| Refrigerant Pipe | Gas                       | inch              | 3/8"                            | 3/8"                            | 1/2"                            | 5/8"                               | 5/8"                               | 5/8"                               |
|                  | Liquid                    | inch              | 1/4"                            | 1/4"                            | 1/4"                            | 1/4"                               | 1/4"                               | 1/4"                               |
|                  | Max Length                | m                 | 15                              | 20                              | 25                              | 25                                 | 25                                 | 25                                 |
|                  | Max Height                | m                 | 10                              | 10                              | 10                              | 10                                 | 10                                 | 10                                 |

| Indoor Dimension |              |                   |
|------------------|--------------|-------------------|
| Model            | WxHxD(mm)    | Packing Dimension |
| JASA-H09A4/QWI   | 935×349×273  | 953×358×288       |
| JASA-H12A4/QWI   | 935×349×273  | 953×358×288       |
| JASA-H18A4/QWI   | 1055×287×366 | 1077×300×375      |
| JASA-H24A4/QWI   | 1172×322×398 | 1190×335×407      |
| JASA-H30A4/QWI   | 1172×322×398 | 1190×335×407      |
| JASA-H36A4/QWI   | 1172×398×322 | 1190×407×335      |



| Outdoor Dimension |                   |                   |         |
|-------------------|-------------------|-------------------|---------|
| Model             | W1(W2)xHxD(mm)    | Packing Dimension | AxB(mm) |
| JASA-H09A4/QWI    | 685(732)×555×330  | 794×615×376       | 455×312 |
| JASA-H12A4/QWI    | 685(732)×550×330  | 794×615×376       | 455×312 |
| JASA-H18A4/QWI    | 685(732)×555×330  | 794×615×376       | 455×312 |
| JASA-H24A4/QWI    | 948(958)×660×402  | 1032×737×456      | 570×370 |
| JASA-H30A4/QWI    | 948(958)×660×402  | 1032×737×456      | 570×370 |
| JASA-H36A4/QWI    | 923(1000)×746×427 | 1080×810×483      | 609×395 |



Due to JASA policy of constant improvement, specifications are subject to change without prior notice.

Remarks: Cooling capacities are based on indoor air temp. 27°C DB, 19°C WB and outdoor air temp. 35°C DB, 24°C WB. The above specifications are subject to change without prior notice for product improvement.

E.&O.E.



AI Rosense

