



**GUILLOTINE GLASS  
TECHNICAL DETAIL**





## **ABOUT US**

Established in the construction industry only in 2016, Haggard Construction has become a trusted name in the field of construction. Our team of experts has the knowledge, skills, and expertise to handle any project, big or small. We have completed numerous projects both domestic and international, ranging from residential homes to commercial buildings and our clients can attest to our commitment to quality and excellence.





PANOROMA CAM SİSTEMLERİ / PANOROMA GLASS PROFILE SYSTEMS



**Tüp Motor Kapak Profili**  
*Tube Engine Cover Profile*

**Profile Nr : 37271**

Weight kg/m: 0,847  
(12,6 x 145 x 1,8mm)

**Tüp Motor Profili**  
*Tube Engine Profile*

**Profile Nr : 37272**

Weight kg/m: 2,602  
(137,4 x 160 x 2mm)



**Ray Profili**  
*Rail Profile*

**Profile Nr : 32267**

Weight kg/m: 1,624  
(84 x 124 x 1,6mm)



**Alt Baza Profili**  
*Lower Base Profile*

**Profile Nr : 37266**

Weight kg/m: 1,452  
(15 x 127,1 x 43 x 1,5mm)

PANOROMA CAM SİSTEMLERİ / PANOROMA GLASS PROFILE SYSTEMS



**Ray İç Tırnak Profili**  
*Ray Inner Nail Profile*

**Profile Nr : 37268**

Weight kg/m: 0,464  
(21,96 x 68,26 x 1,6mm)



**Ray Dış Tırnak Profili**  
*Ray External Nail Profile*

**Profile Nr : 37269**

Weight kg/m: 0,475  
(12,79 x 84 x 1,6mm)



**Ray Kapak Profili**  
*Rail Cover Profile*

**Profile Nr : 37270**

Weight kg/m: 0,475  
(12,9 x 38,8 x 1,3mm)



**Tüp Motor Borusu**  
*Tube Motor Profile*

**Profile Nr : 37115**

Weight kg/m: 1  
(72,3 x 2mm)



PANOROMA CAM SİSTEMLERİ / PANOROMA GLASS PROFILE SYSTEMS



**8mm Dikme ve Alt Profili**  
*8mm Sewing and Bottom Profile*

**Profile Nr : 37273**

Weight kg/m: 0,664  
(28,2 x 35 x 2,5mm)



**8mm Çekici Profili**  
*8mm Attractive Profile*

**Profile Nr : 37274**

Weight kg/m: 0,909  
(38,45 x 35 x 2mm)



**8mm Cam Üst Profili**  
*8mm Glass Above Profile*

**Profile Nr : 37275**

Weight kg/m: 1,194  
(38,99 x 120,5 x 1,6 mm)



**24mm Dikme ve Alt Profili**  
*24mm Sewing and Bottom Profile*

**Profile Nr : 37263**

Weight kg/m: 0,538  
(28,2 x 35 x 2,5mm)



**24mm Çekici Profili**  
*24mm Attractive Profile*

**Profile Nr : 37264**

Weight kg/m: 0,782  
(38,45 x 35 x 2,5mm)



**24mm Cam Üst Profili**  
*24mm Glass Above Profile*

**Profile Nr : 37265**

Weight kg/m: 1,068  
(39 x 120,4 x 1,6mm)

PANOROMA CAM SİSTEMLERİ / PANOROMA GLASS PROFILE SYSTEMS



**Tüp Motor Kapağı Lazer Parçası**  
*Tube Engine Cover Laser Part*

Proforma Nr : GYT-001

used : 2 pieces



**Alt Baza Profili Parçası**  
*Sub - Base And Side Profile Connection Part*

Proforma Nr : GYT-002

used : 2 pieces



**Köşe Kapak**  
*Plastik Side Cover*

Proforma Nr : GYT-003

used : 2 pieces



**Zincir Dişli**  
*Sprocket*

Proforma Nr : GYT-004

used : 2 pieces



**Zincir**  
*Chain*

Proforma Nr : GYT-005

used : 5 Metre



**Zincir Bağlantı Aparatı**  
*Chain Connection*

Proforma Nr : GYT-006

used : 2 pieces



**Köşe Takozu**  
*Glass Corner Connection*

Proforma Nr : GYT-007

used : 12 pieces



**Boru Başı Takımı**  
*Engine Pipe Set*

Proforma Nr : GYT-008  
used : 1 pieces



**Kasnak**  
*Sprocket*

Proforma Nr : GYT-009

used : 2 pieces



**Triger Kayışı**  
*Belt For Guillotine*

Proforma Nr : GYT-010

1 Top : 100 mt.  
1 Roll : 100 mt.



**Motor Aparatı**  
*Engine and Pipe Connection Parts*

Proforma Nr : GYT-011

used : 1 pieces



**Küçük EPDM**  
*Thin Gasket*

Proforma Nr : GYT-012

1 Top : 300 mt.  
1 Roll : 300 mt.



**Büyük EPDM**  
*Thick Gasket*

Proforma Nr : GYT-013

1 Top : 75 mt.  
1 Roll : 75 mt.



**Kıl Fital**  
*Strip Brush*

Proforma Nr : GYT-014

1 Top : 250 mt.  
1 Roll : 250 mt.



**Vida Grubu**  
*Screw Set*

Proforma Nr : GYT-015

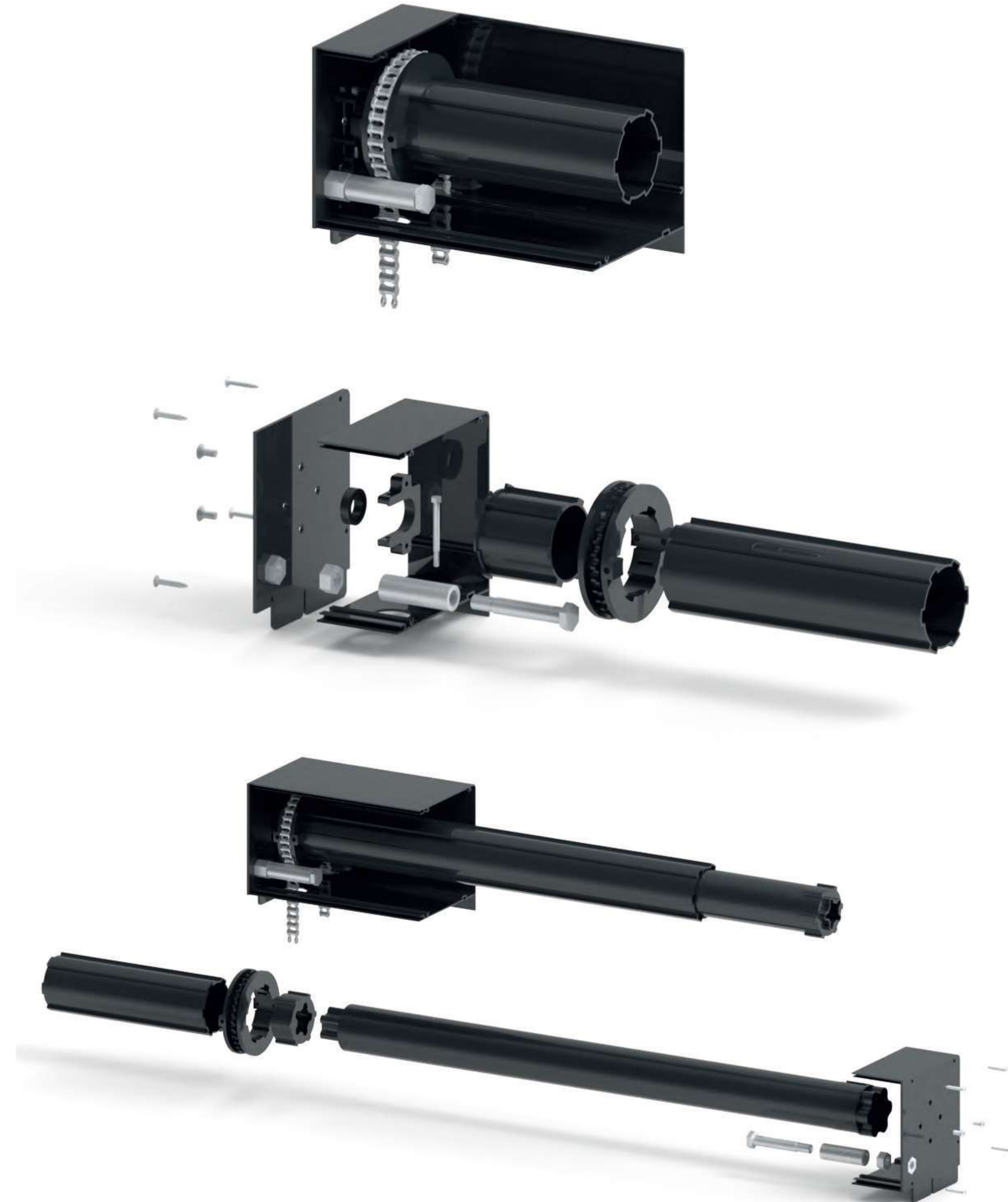
used : 1 set



PANOROMA CAM MONTAJ / PARANOMA GLASS MONTAGE

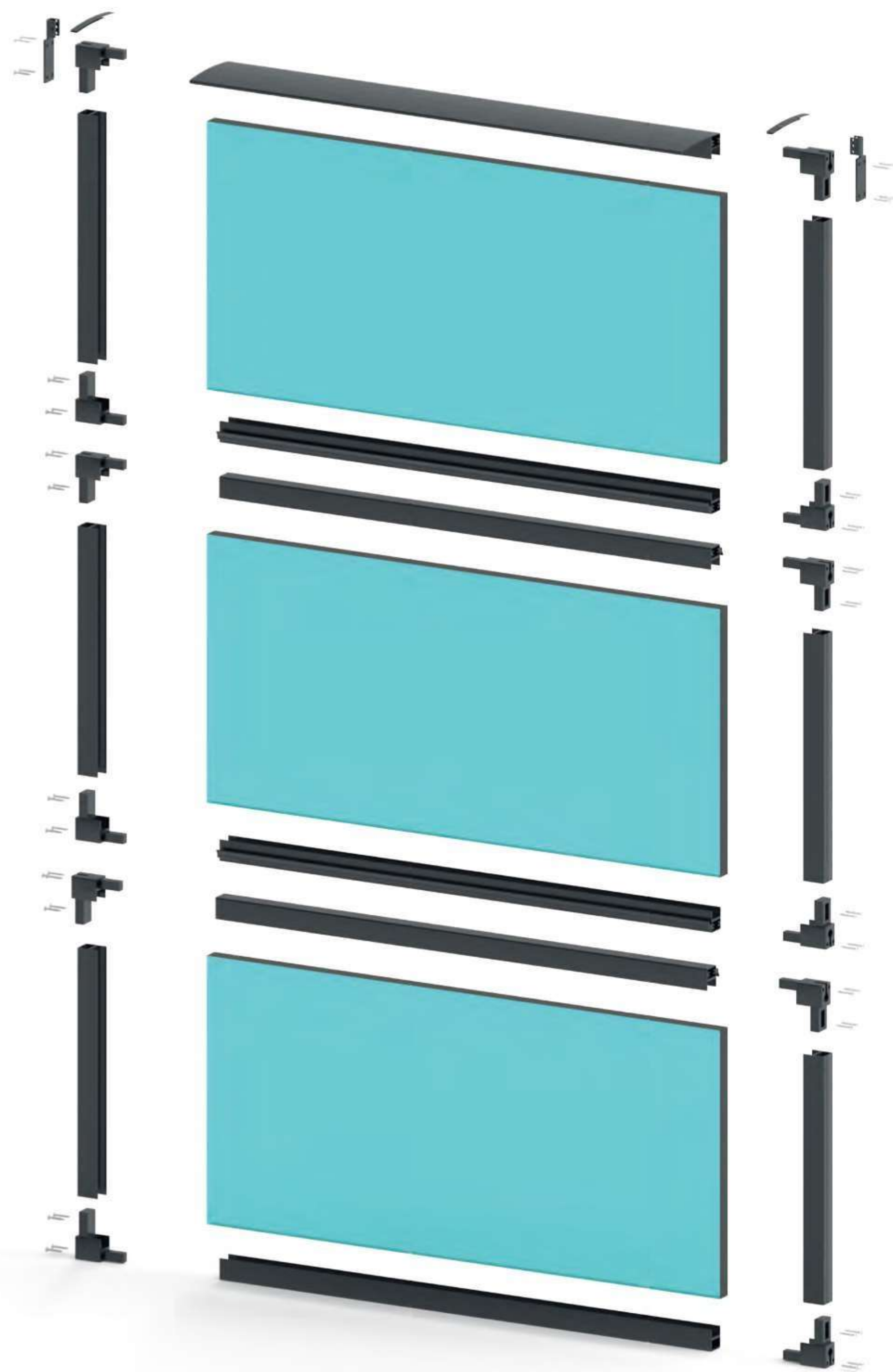


PANOROMA CAM MONTAJ / PARANOMA GLASS MONTAGE





PANOROMA CAM MONTAJ / PARANOMA GLASS MONTAGE















**[www.haggardconstruction.co.uk](http://www.haggardconstruction.co.uk)**

**293 NORTHFIELD AVENUE, EALING, LONDON,  
W5 4XB, UNITED KINGDOM**

**+44 7789 994837**