



SLIDING SYSTEM TECHNICAL CATALOG



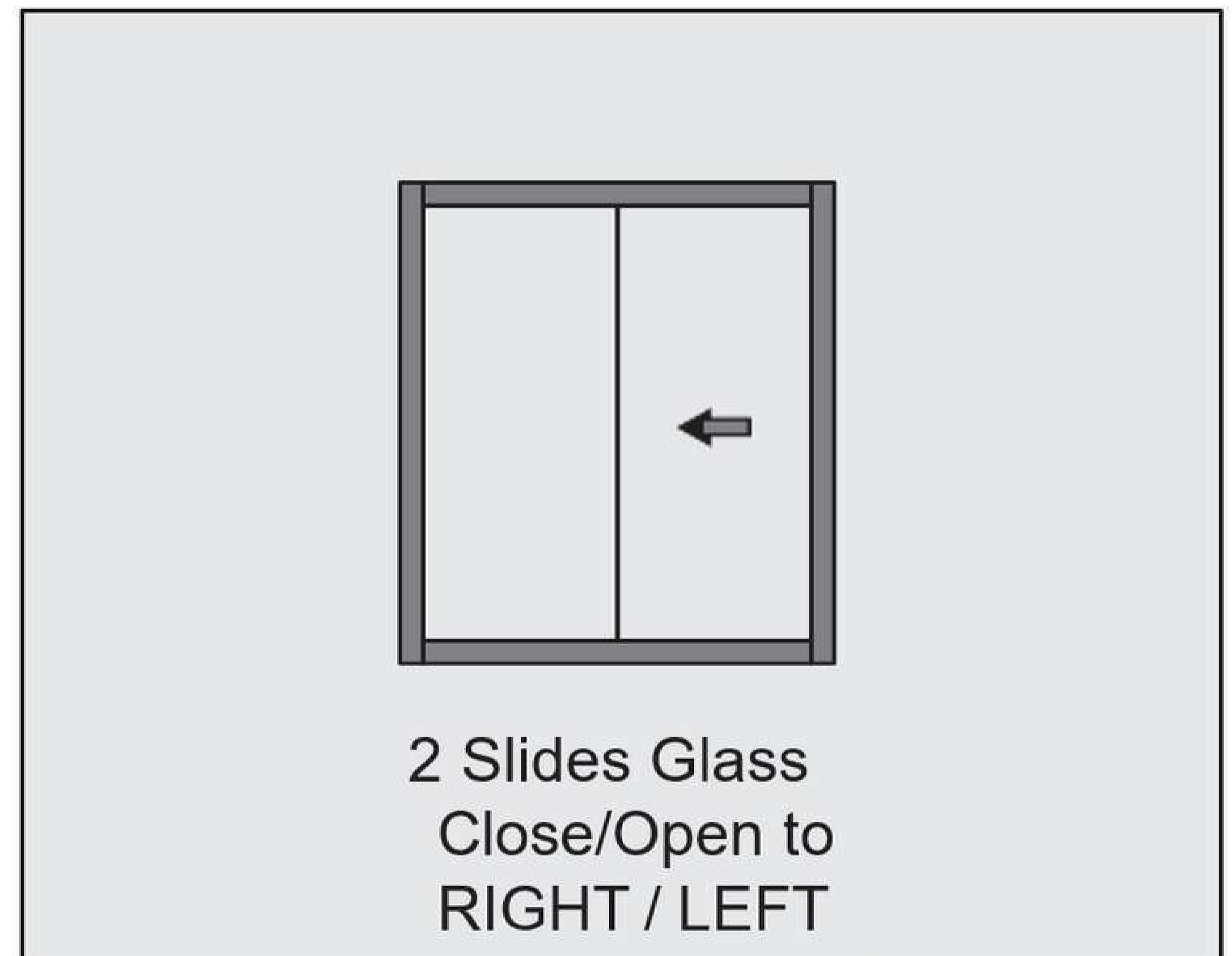
ABOUT US

Established in the construction industry only in 2016, Haggard Construction has become a trusted name in the field of construction. Our team of experts has the knowledge, skills, and expertise to handle any project, big or small.

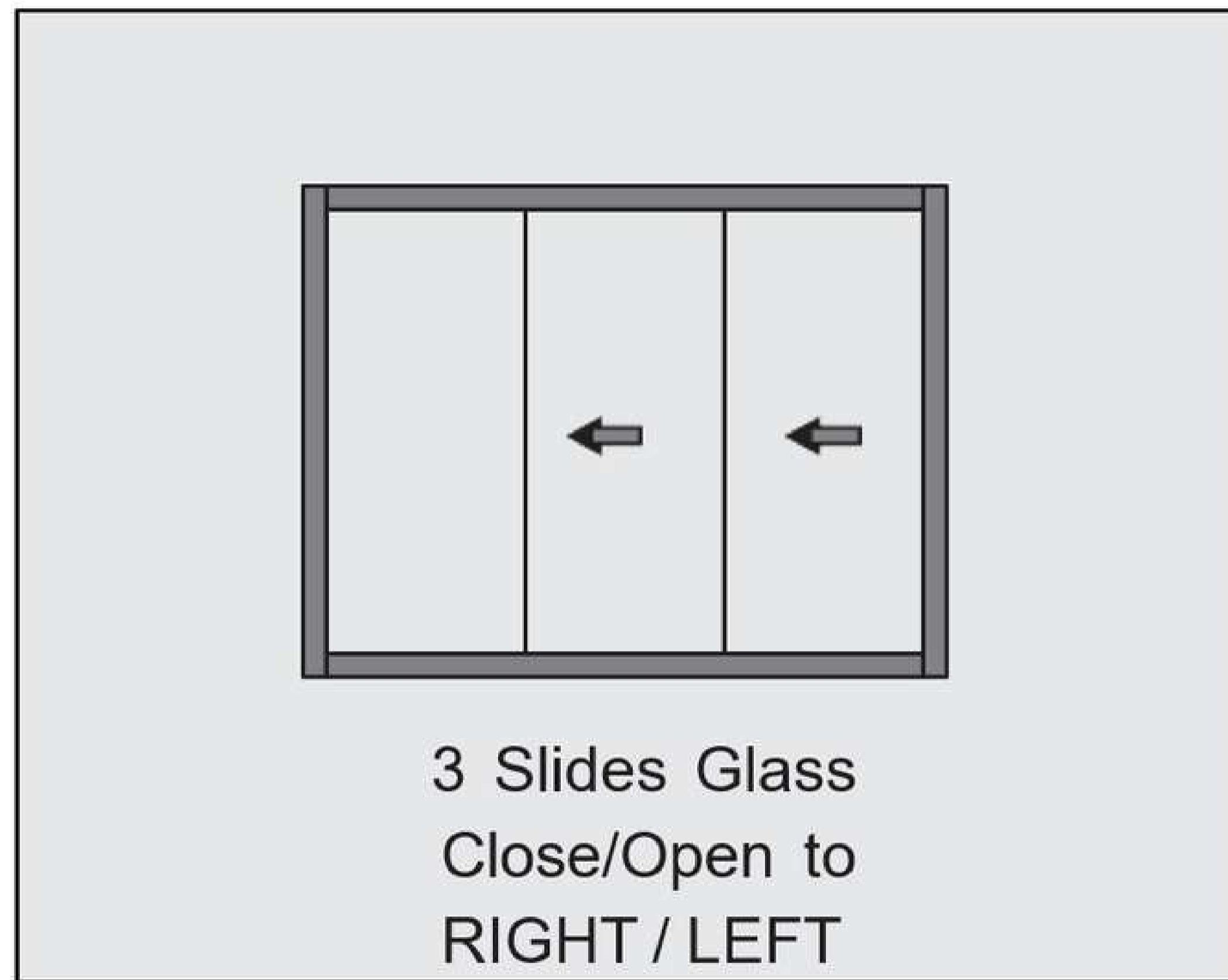
We have completed numerous projects both domestic and international, ranging from residential homes to commercial buildings and our clients can attest to our commitment to quality and excellence.



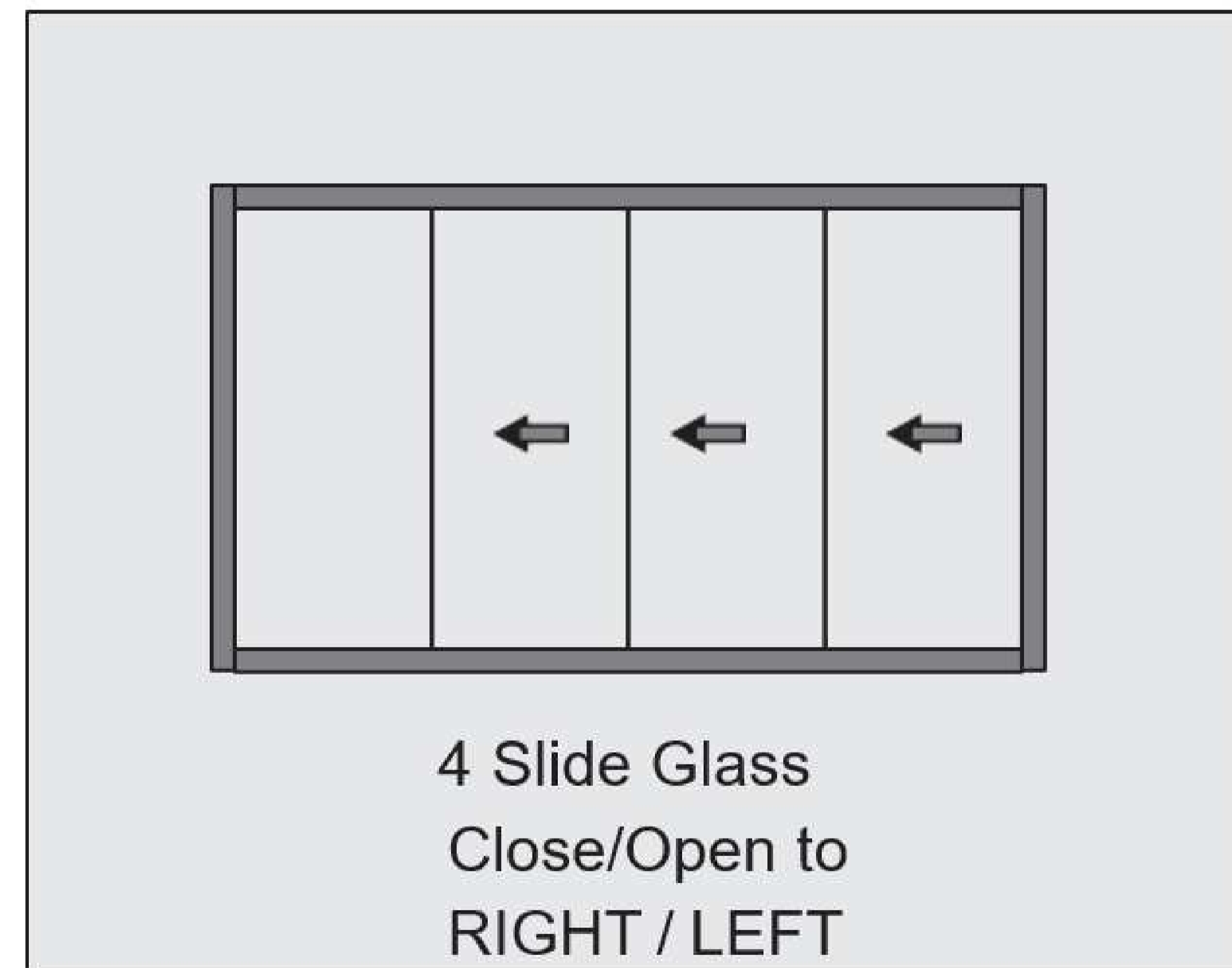
POSITIONS OF SLIDING SYSTEM



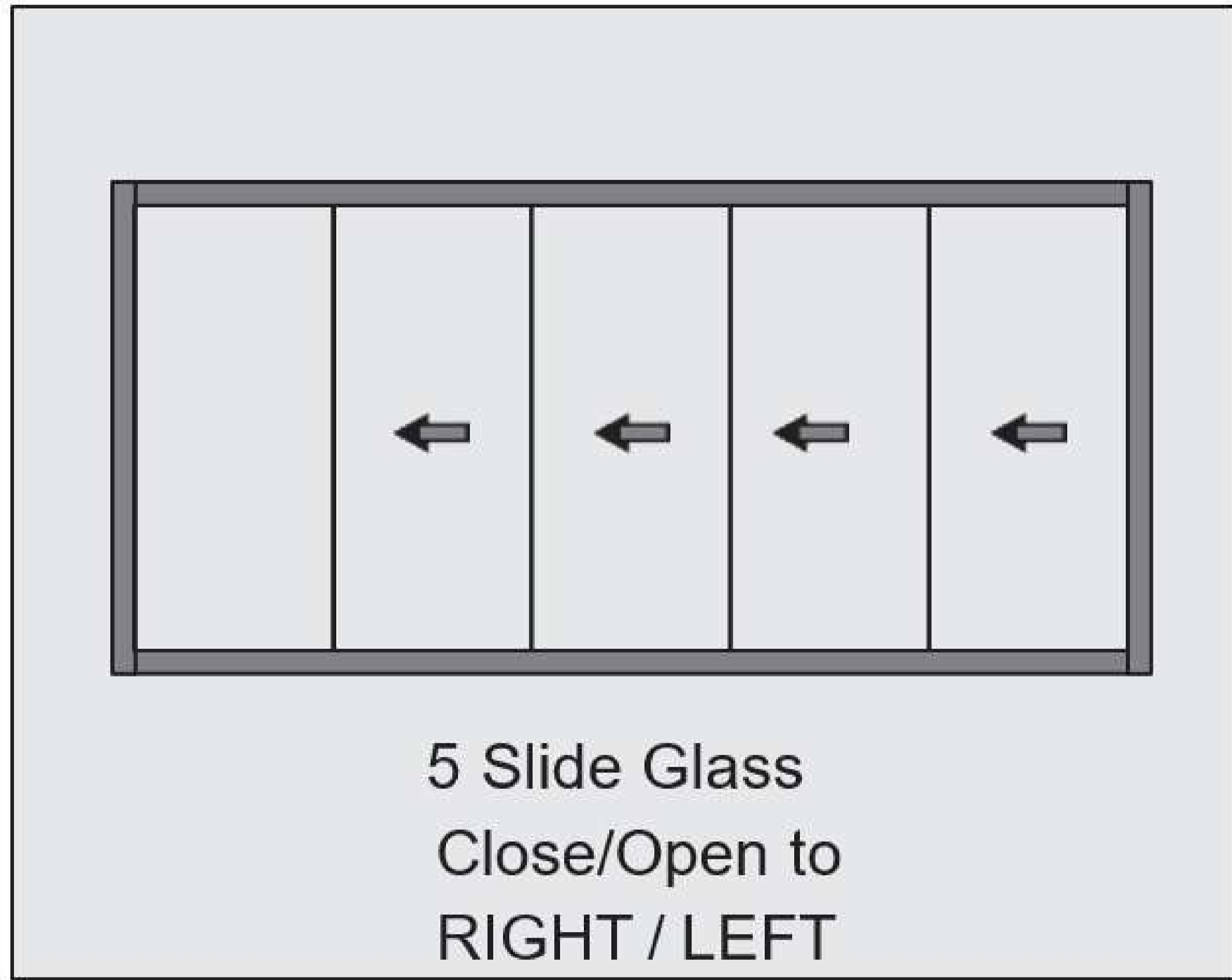
POSITIONS OF SLIDING SYSTEM



POSITIONS OF SLIDING SYSTEM



POSITIONS OF SLIDING SYSTEM

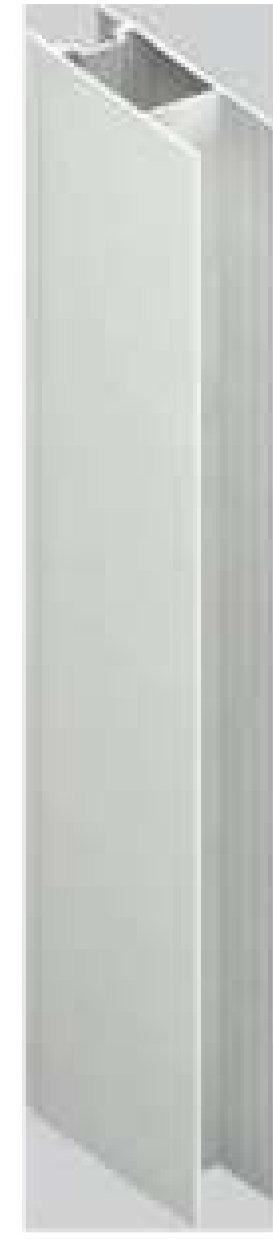


POSITIONS OF SLIDING SYSTEM

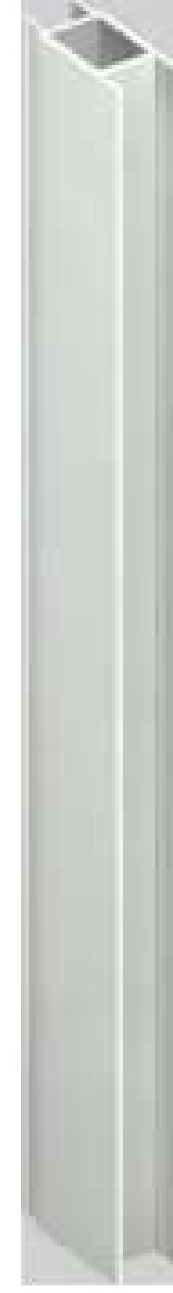




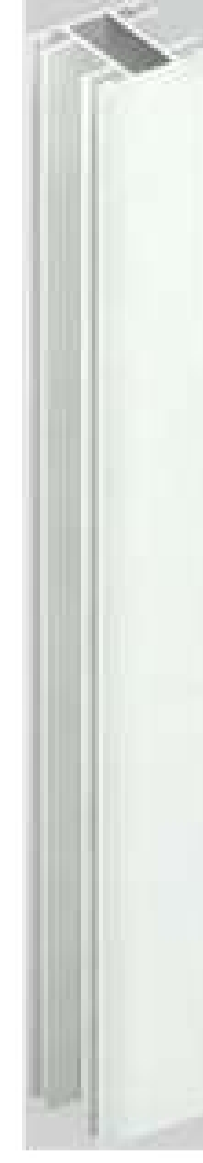
1700-210
KASA
1.705 KG/M



1700-212
BAZA
0.860 KG/M



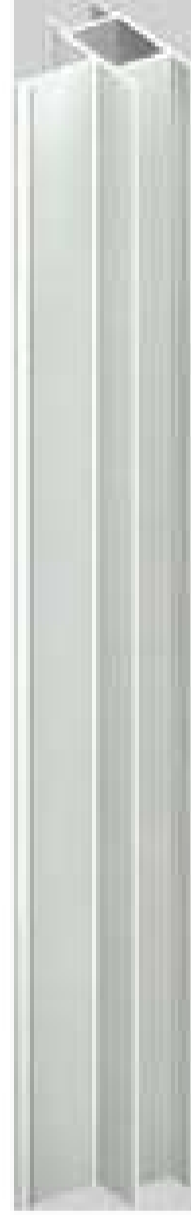
1700-214
YANKASA
0.470 KG/M



1700-215
SÜRME KENET
0.715 KG/M



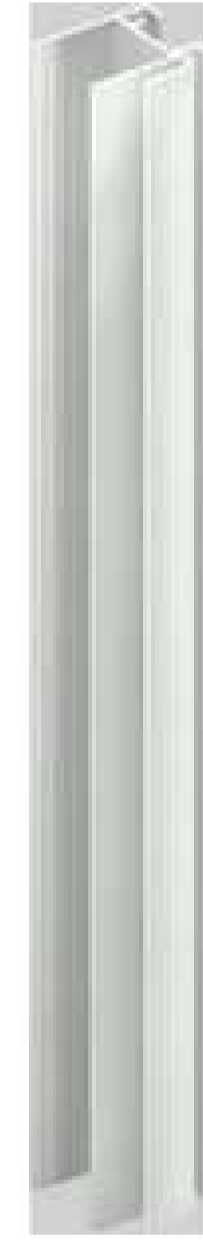
1700-217
SÜRME KANAT
0.970 KG/M



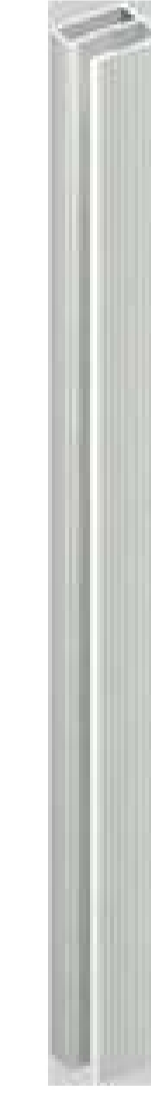
1700-211
KASA
0.610 KG/M



1700-213
YANKASA
1.135 KG/M



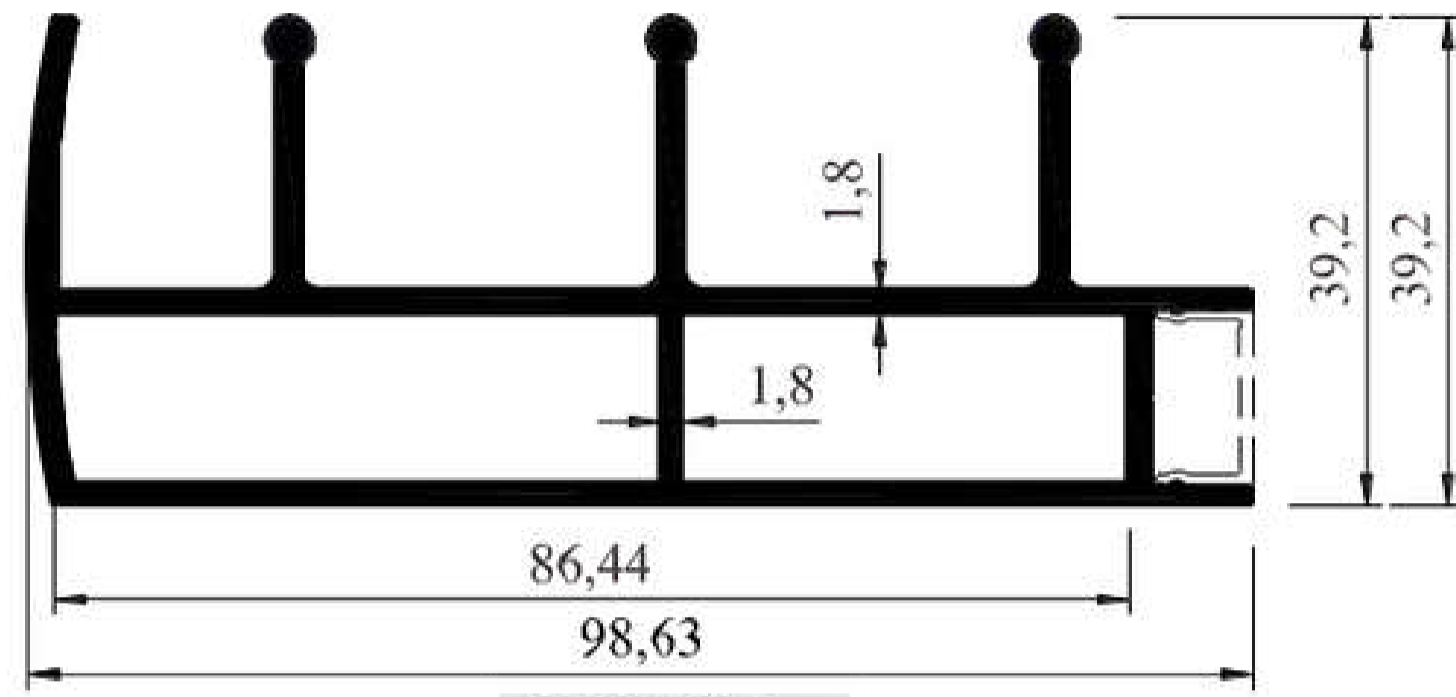
1700-216
SÜRME KENET
0.485 KG/M



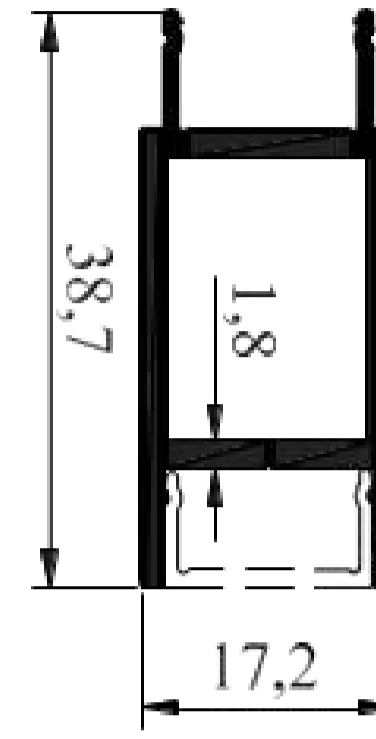
1700-194
BEMUS 8MM U
0.395 KG/M



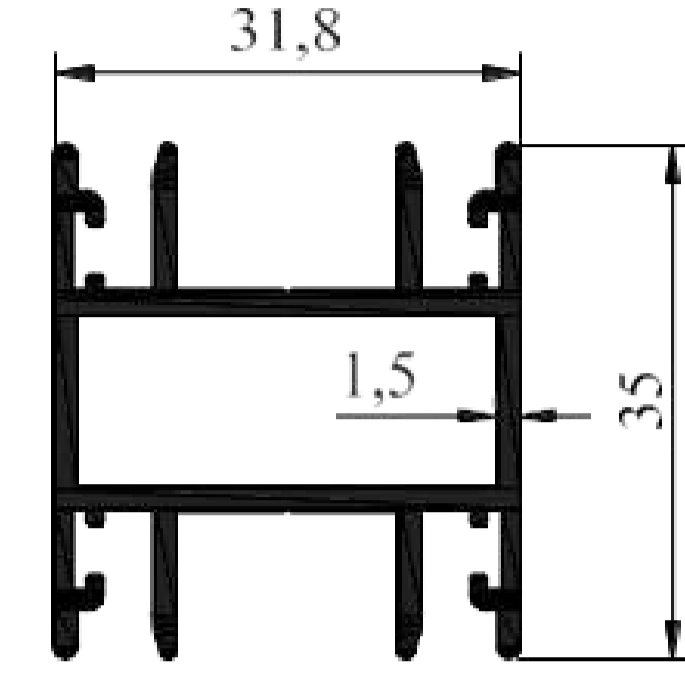
1700
KAPAK



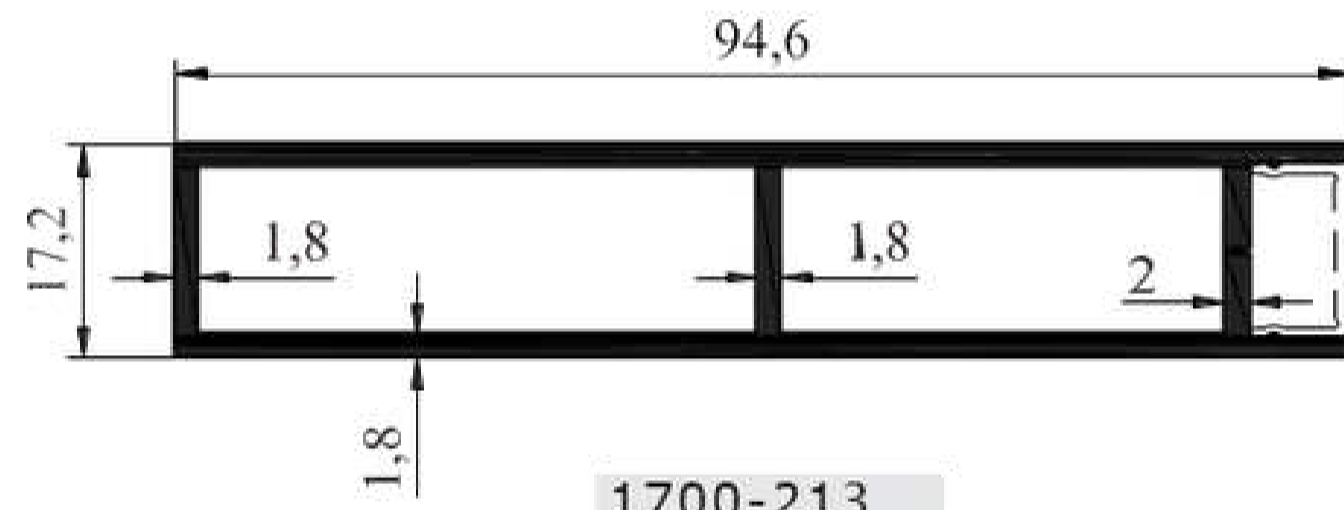
1700-210
KASA
1.705 KG/M



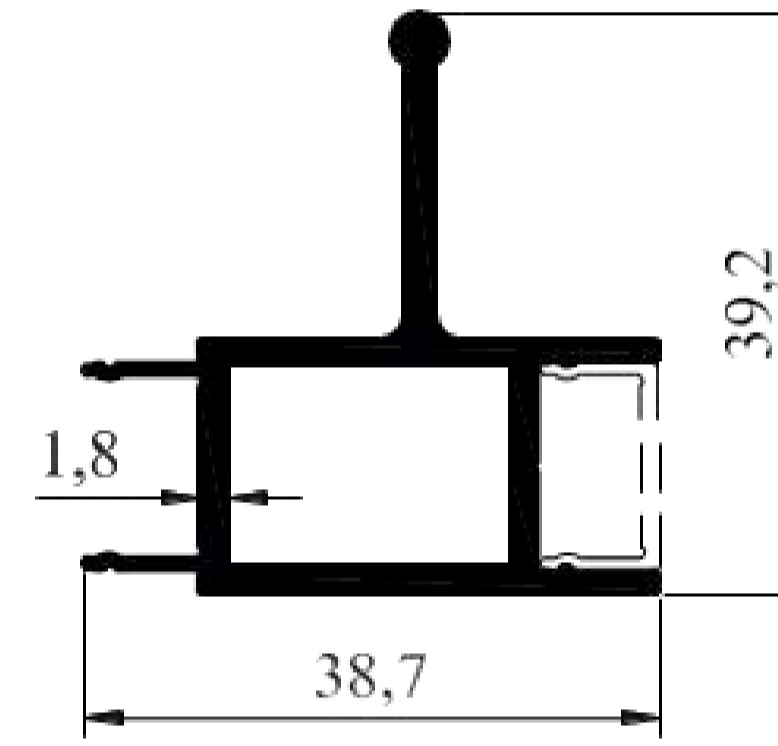
1700-214
YANKASA
0.470 KG/M



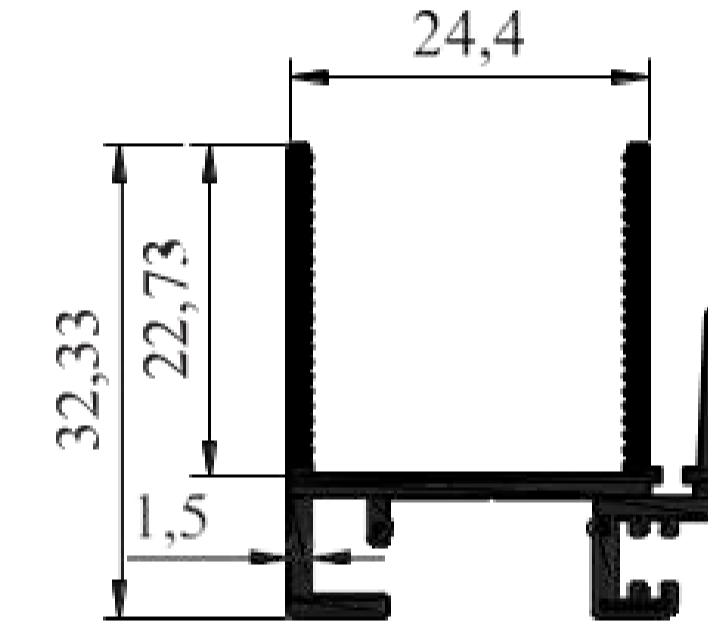
1700-215
SÜRME KENET
0.715 KG/M



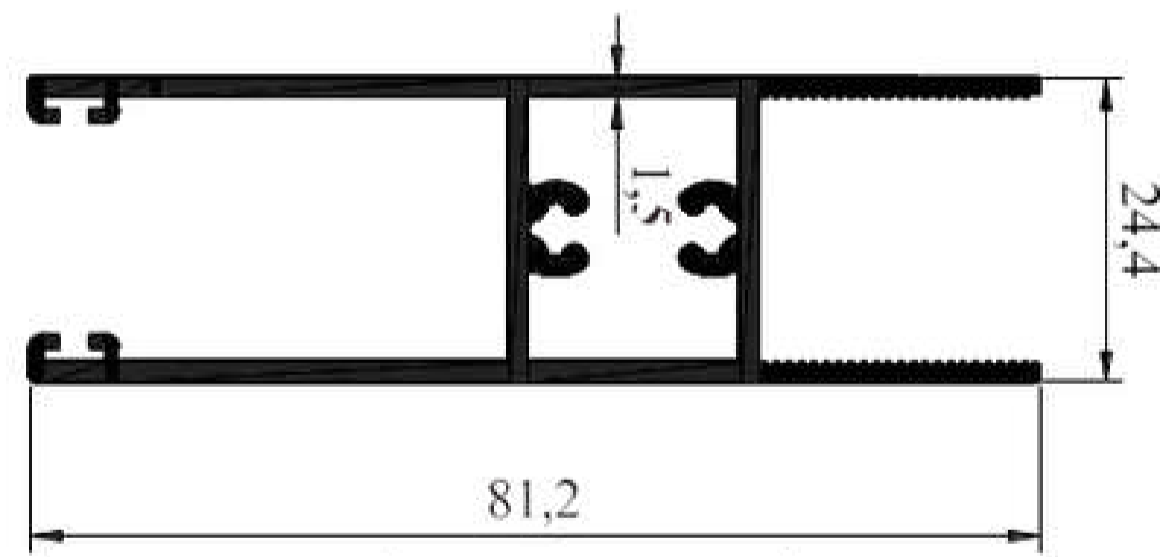
1700-213
YANKASA
1.135 KG/M



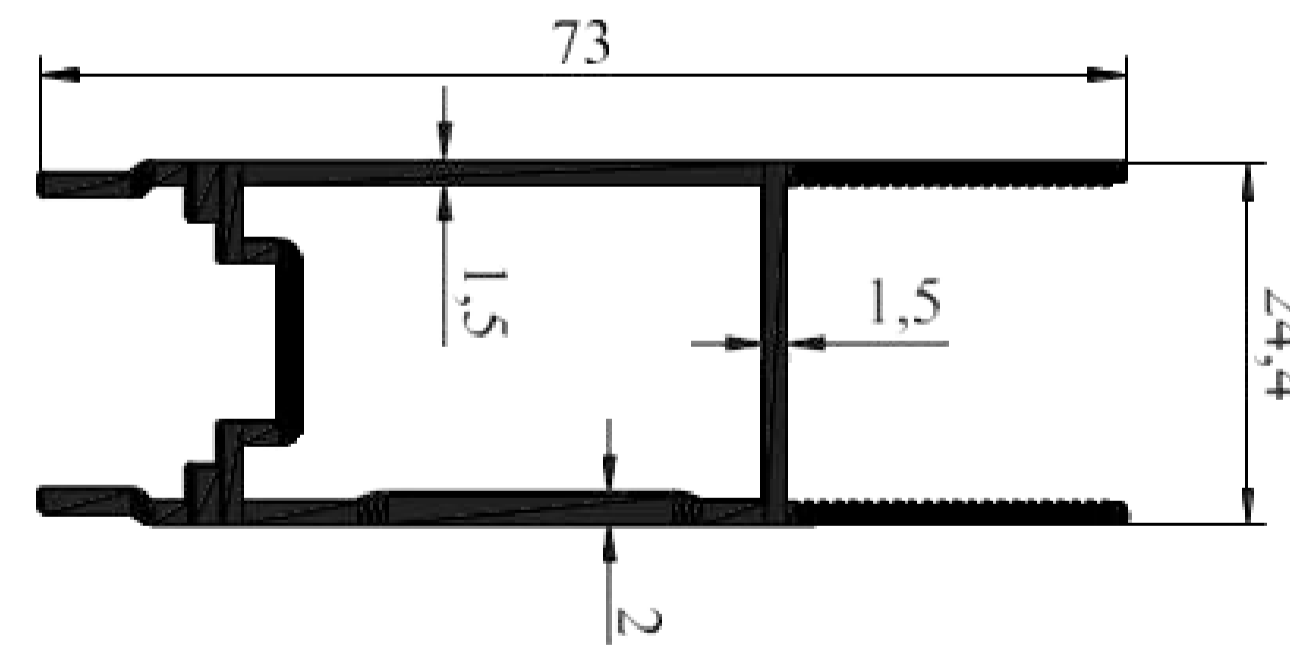
1700-211
KASA
0.610 KG/M



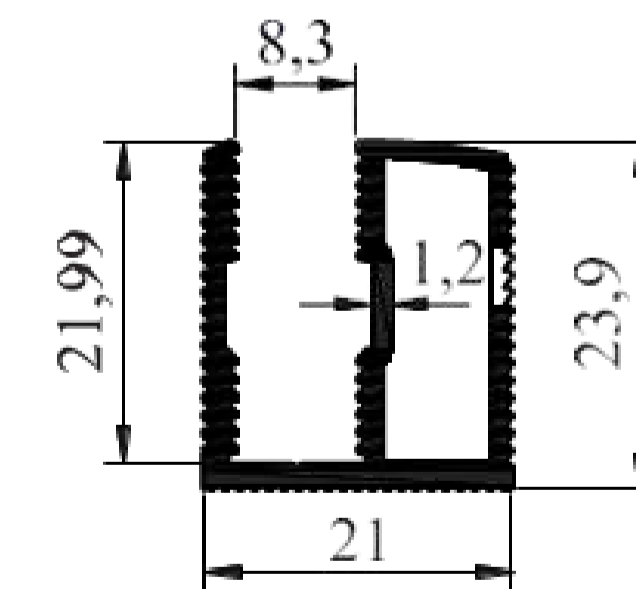
1700-216
SÜRME KENET
0.485 KG/M



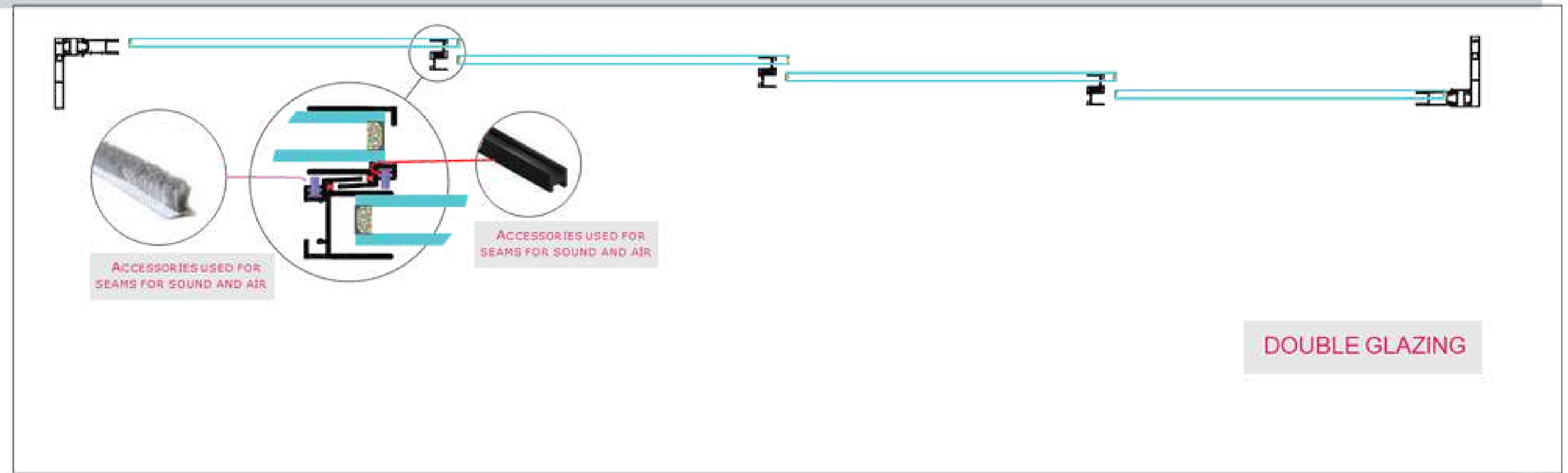
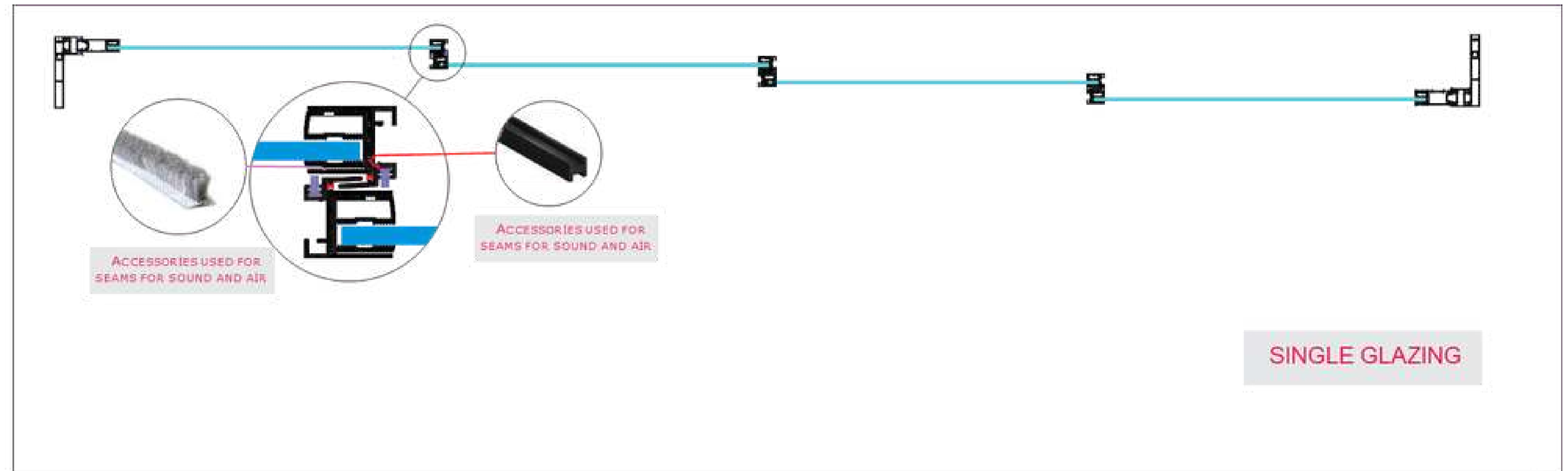
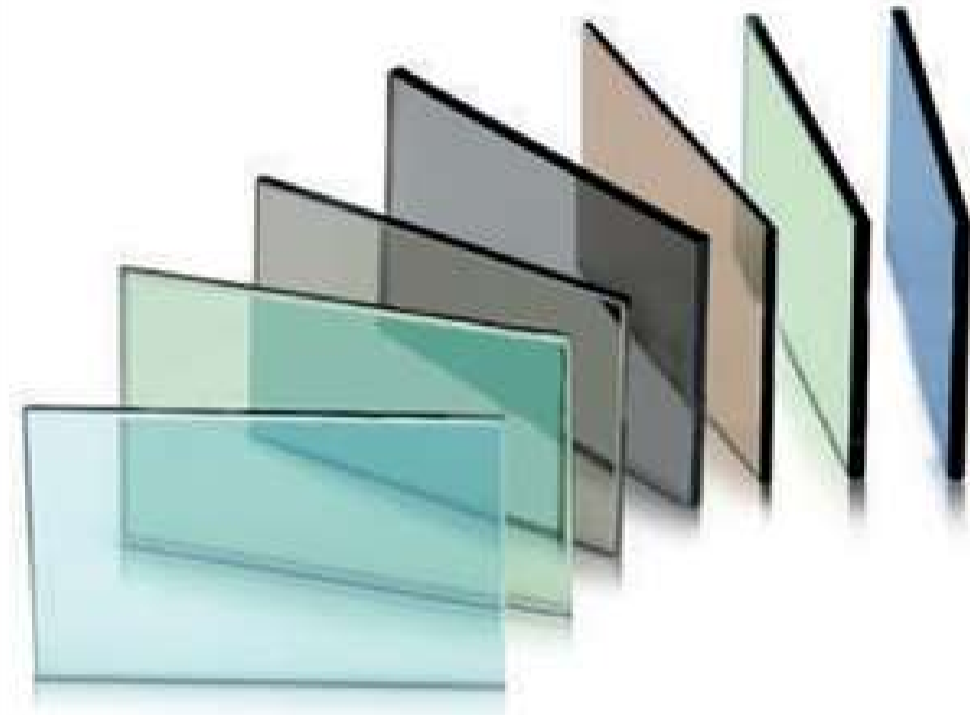
1700-217
SÜRME KANAT
0.970 KG/M



1700-212
BAZA
0.860 KG/M



1700-194
BEMUS 8MM U
0.395 KG/M







www.haggardconstruction.co.uk
293 NORTHFIELD AVENUE, EALING, LONDON,
W5 4XB, UNITED KINGDOM
+44 7789 994837