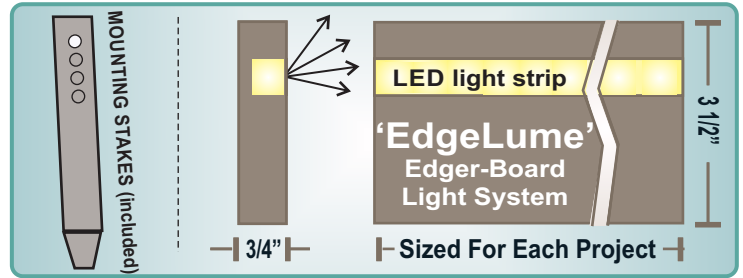




# EDGE LUME (Pat.)

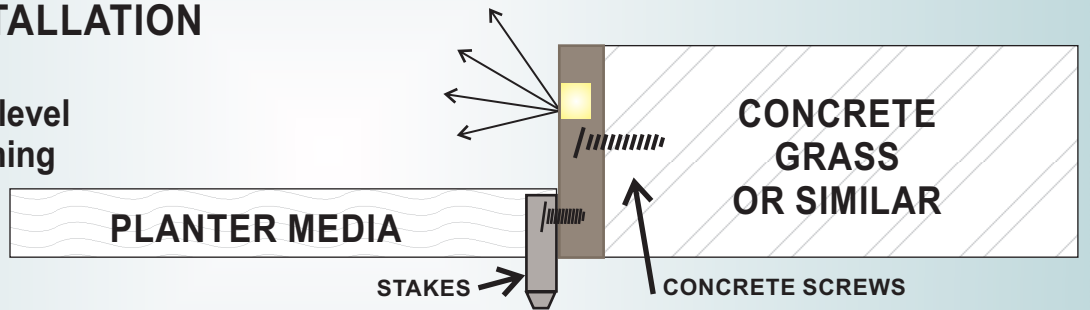
Illuminated Outdoor Edger/Bender Board providing a broad 120 degree swath of light from integral flexible waterproof LED lighting system

## INSTALLATION SUGGESTED METHODS



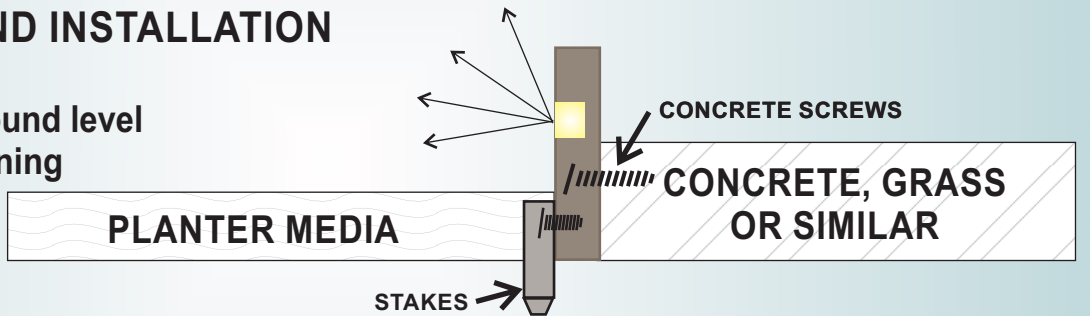
### GROUND LEVEL INSTALLATION

EDGE LUME is at ground level at rear with light strip shining toward area being lit.



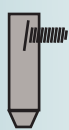
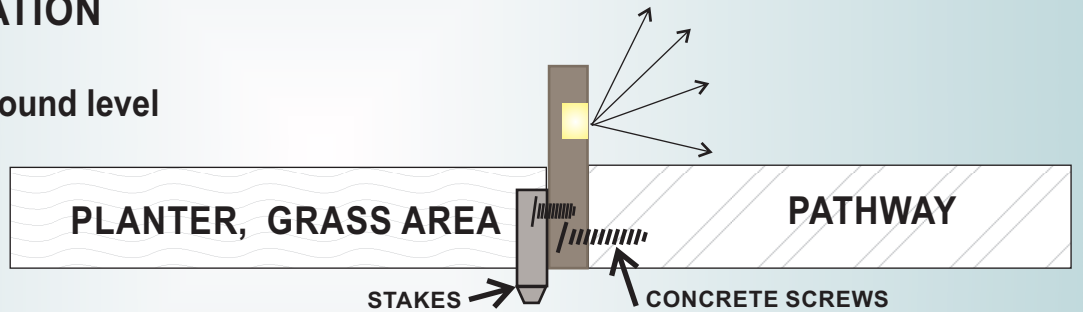
### SEMI-ABOVE GROUND INSTALLATION

EDGE LUME is above ground level at rear with light strip shining toward area being lit.



### PATHWAY INSTALLATION

EDGE LUME is above ground level with light strip shining on pathway.



#### INSTALL METHOD 1

Using Stakes pounded into ground, EdgeLume is screwed directly to these stakes.



#### INSTALL METHOD 2

Using self-tapping concrete screws, EdgeLume is attached directly to the concrete walkways.

