



## *Our most versatile product, the SXL, delivers outstanding performance and reliability*



The Syncrolite™ SXL is ideal for concert touring, live events, or architectural applications. It can be configured as a color-changing fully automatic or static Xenon skylight. It features innovative Xenon lamp technology with 90+ CRI. SXL's versatility as a sky beam, spotlight or a full flood wash makes the SXL our primary fixture for sales or rental.

The Syncrolite SXL features a number of exclusive Syncrolite proprietary innovations including true additive and subtractive dichroic color mixing using our patented Omnicolor™ system featuring heat-resistant DichroFilm™ color filters and VFL holographic micro lens light-shaping diffusers for control of light distribution. Dimming is accomplished via a high speed Venetian blind douser. The SXL is IP43 rated.

## **FEATURES**

- VFL light-shaping diffuser film lenses, available from 5° to 80° and in various anamorphic ratios including 60° x 10°, 30° x 5°, 75° x 35°, 40° x 0.2° and 95° x 35°. VFL™ lenses provide unparalleled flat fields and color integration.
- High resolution pan and tilt (16 bit)
- Beam Shaping Gobos are available as fixed patterns, scrolling motion effects, with dichroic color and as transparent patterns on VFL lenses
- Highest Output through proprietary technologies, such as our extremely efficient HP reflectors, to insure the maximum luminous output per watt of any production large-format xenon luminaire
- Normal beam adjustment range of fully collimated to 20° flood

All Syncrolite products are available in an array of custom configurations ranging from static to fully automated weatherized open white collimated Skybeams or dynamic wash lights with or without Omnicolor™ dichroic color mixing, variable film lensing, color correction filters (CTO, CTB, and CTS), or automated douser.

### **BCT ENTERTAINMENT**

1281 N. La Loma Ciricle, Anaheim, CA. 92806

BUS: 714-237-9270 FAX: 714-237-9948

[www.bctentertainment.com](http://www.bctentertainment.com)

**SPECIFICATIONS**

Source:	6400 Watt Xenon	Pan:	540° Variable Speed
Life:	650 - 1000 Hours	Tilt	270° Variable Speed
Color Temperature:	6000	Color Module:	OmniColor™ color-changing system with DichroFilm™ filters
CRI:	90+	Lens Module:	VFL holographic microlens light shaping diffusers, Beam Shaping Gobos and FX Engines
Reflector:	Proprietary 14" High Performance	Ballast:	Magnetic XLB Ballast
Control:	14-channel DMX	Power Requirement:	120/208V 3-phase 30A 60 Hz 230/400V 3-phase 16A 50Hz
On-Board Control:	5 Buttons with Backlit LCD Screen	Construction:	Powder-Coated Aluminum
Operation:	Opto-Isolated electronics, servo motor operation	Mounting:	Mountable on all planes
Strobe/Douser:	High-speed Venetian-blind style douser	Weight Lamphead:	222 lbs
Beam:	Fully Collimated to 20° Spread	Weight Ballast:	224 lbs

**RDM optionally available on new equipment****PHOTOMETRICS**

Narrow Field of View	Throw Distance (Ft/m)	30/9.1	50/15.2	100/30.5	200/61.0	300/91.4
	Beam Diameter (Ft/m)	2.9/0.9	4.8/1.5	9.6/2.9	19.2/5.9	28.8/8.8
	Illuminance (fc/lux)	24,000/260,838	8,640/93,490	2,160/23,220	540/5,805	240/2,586

Wide Field of View	Throw Distance (Ft/m)	30/9.1	50/15.2	100/30.5	200/61.0	300/91.4
	Beam Diameter (Ft/m)	11.9/3.6	19.9/6.0	39.8/12.1	79.6/24.3	119.3.5/36.4
	Illuminance (fc/lux)	395/4,293	142/1,539	36/382	9/96	4/43

Beam Angle	Tn, Beam	Field Angle	Tn, Field	CBI (Candela)
4	0.070	5.5	0.096	21,600,000
19.5	0.344	22.5	0.398	990,000

Multiply throw distance by respective Tn factors to calculate beam and field diameters.  
 Divide CBI (Candela) by distance squared to find center beam illuminance.  
 Distance in feet gives foot candles, distance in meters gives lux.

Syncrolite's proprietary OmniColor™ technology is Patent Protected. Product is CSA / ETL / CE Listed  
 Copyright © 2015 Syncrolite, LLC Specifications subject to change. v20150424

**BCT ENTERTAINMENT**

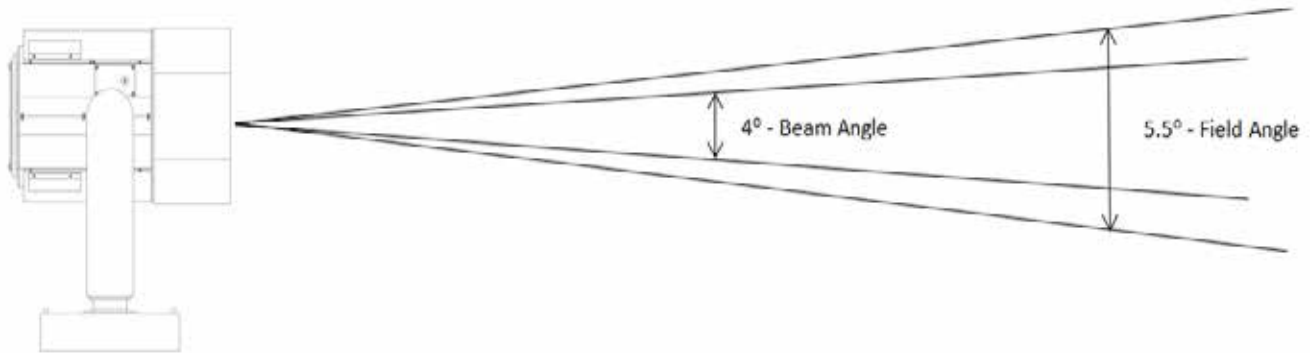
1281 N. La Loma Circle, Anaheim, CA. 92806

BUS: 714-237-9270 FAX: 714-237-9948

www.bctentertainment.com



**PHOTOMETRIC DATA - NARROW BEAM**



Throw Distance (Ft)	30	50	100	200	300
Beam Diameter (Ft)	2.9	4.8	9.6	19.2	28.8
Illuminance (fc)	24,000	8,640	2,160	540	240
Throw Distance (m)	9.1	15.2	30.5	61.0	91.4
Beam Diameter (m)	0.9	1.5	2.9	5.9	8.8
Illuminance (lux)	260,838	93,490	23,220	5,805	2,586

Beam Angle	Tn,Beam	Field Angle	Tn, Field	CBI (Candela)
4	0.070	5.5	0.096	21,600,000

Multiply throw distance by respective Tn factors to calculate beam and field diameters.  
 Divide CBI (Candela) by distance squared to find center beam illuminance.  
 Distance in feet gives foot candles, distance in meters gives lux.

Syncrolite's proprietary OmniColor™ technology is Patent Protected. Product is CSA / ETL / CE Listed  
 Copyright © 2015 Syncrolite, LLC Specifications subject to change. v20150424

**BCT ENTERTAINMENT**

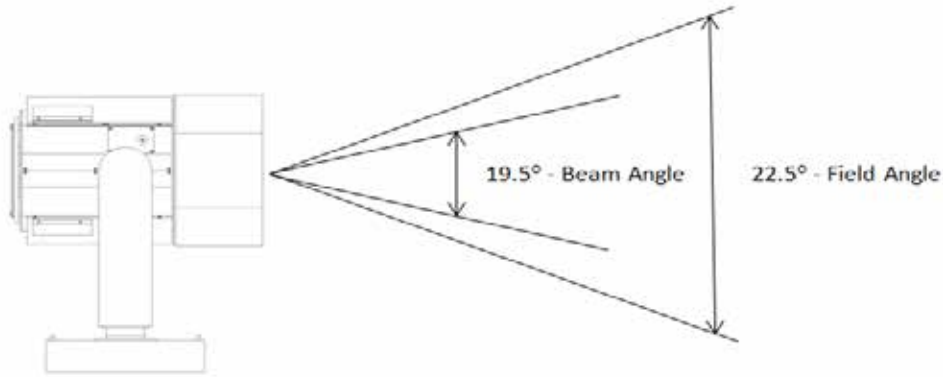
1281 N. La Loma Ciricle, Anaheim, CA, 92806

BUS: 714-237-9270 FAX: 714-237-9948

www.bctentertainment.com



**PHOTOMETRIC DATA - WIDE BEAM**



Throw Distance (Ft)	30	50	100	200	300
Beam Diameter (Ft)	11.9	19.9	39.8	79.6	119.3
Illuminance (fc)	1,100	396	99	25	11
Throw Distance (m)	9.1	15.2	30.5	61.0	91.4
Beam Diameter (m)	3.9	6.0	12.1	24.3	36.4
Illuminance (lux)	11,955	4,285	1,064	266	119

Beam Angle	Tn,Beam	Field Angle	Tn, Field	CBI (Candela)
19.5	0.344	22.5	0.398	990,000

Multiply throw distance by respective Tn factors to calculate beam and field diameters.  
 Divide CBI (Candela) by distance squared to find center beam illuminance.  
 Distance in feet gives foot candles, distance in meters gives lux.

Syncrolite's proprietary OmniColor™ technology is Patent Protected. Product is CSA / ETL / CE Listed  
 Copyright © 2015 Syncrolite, LLC Specifications subject to change. v20150424

**BCT ENTERTAINMENT**

1281 N. La Loma Ciricle, Anaheim, CA, 92806

BUS: 714-237-9270 FAX: 714-237-9948

www.bctentertainment.com

