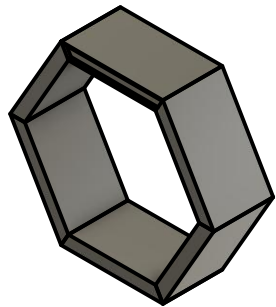


**DETAIL A**  
**SCALE 1:2**



PROJECT

TITLE

**Hexagon Display Shelf**

APPROVED

CHECKED

DRAWN Twintown DIY 7/29/2018

SIZE

A

CODE

DWG NO

REV

A

SCALE Various

WEIGHT

SHEET 1/4

## Build a Hexagon Display Shelf

### Materials

- 1" x 4" boards (or similar) approximately 40" material length per shelf
- Hillman Ook Sawtooth Hangers Large #50203
- Nails 1  $\frac{1}{4}$ "

### Tools

- Miter Saw
- Band Clamp
- Hammer/Nail Gun
- Router
- Router Bit  $\frac{5}{8}$ " or  $\frac{1}{2}$ "
- Drill/Screwdriver

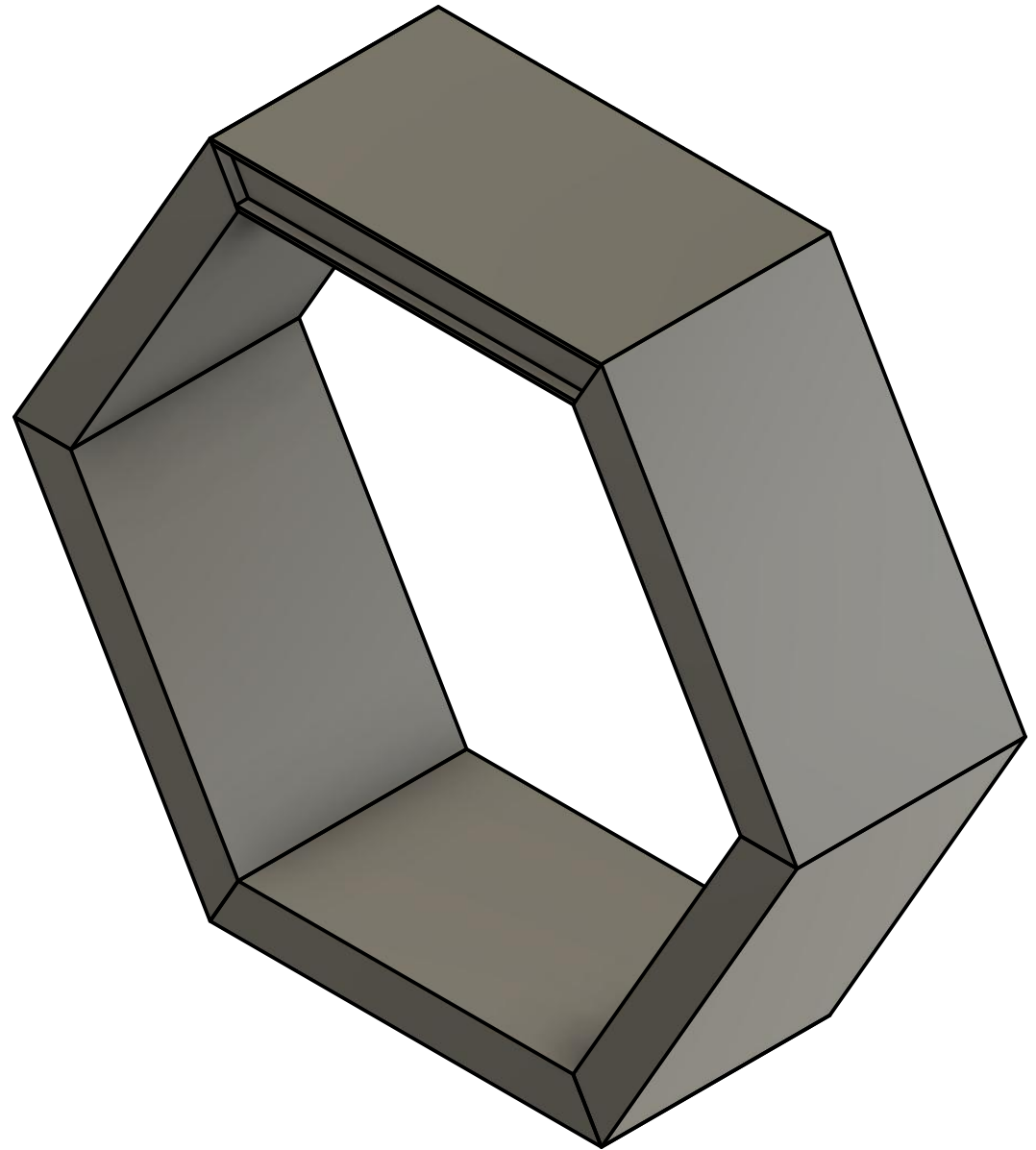
### Basic Steps (See video for more information)

#### Make Jig (optional)

- Print drawing page 3 and 4
- Glue to plywood base
- Attach guide blocks

#### Cut Material to length

- 6" with 60 degree bevel each end
- Router edge of top board
  - Router scrap piece first to ensure router alignment
- Glue edges and place in clamp/jig
- Ensure joints aligned properly
- Place 2 nails at each joint
- Sand and apply finish/paint
- Attach hanger with screws
  - Drill pilot holes for screws



www.TwinTownDIY.com

