

# Transfer Case SEC

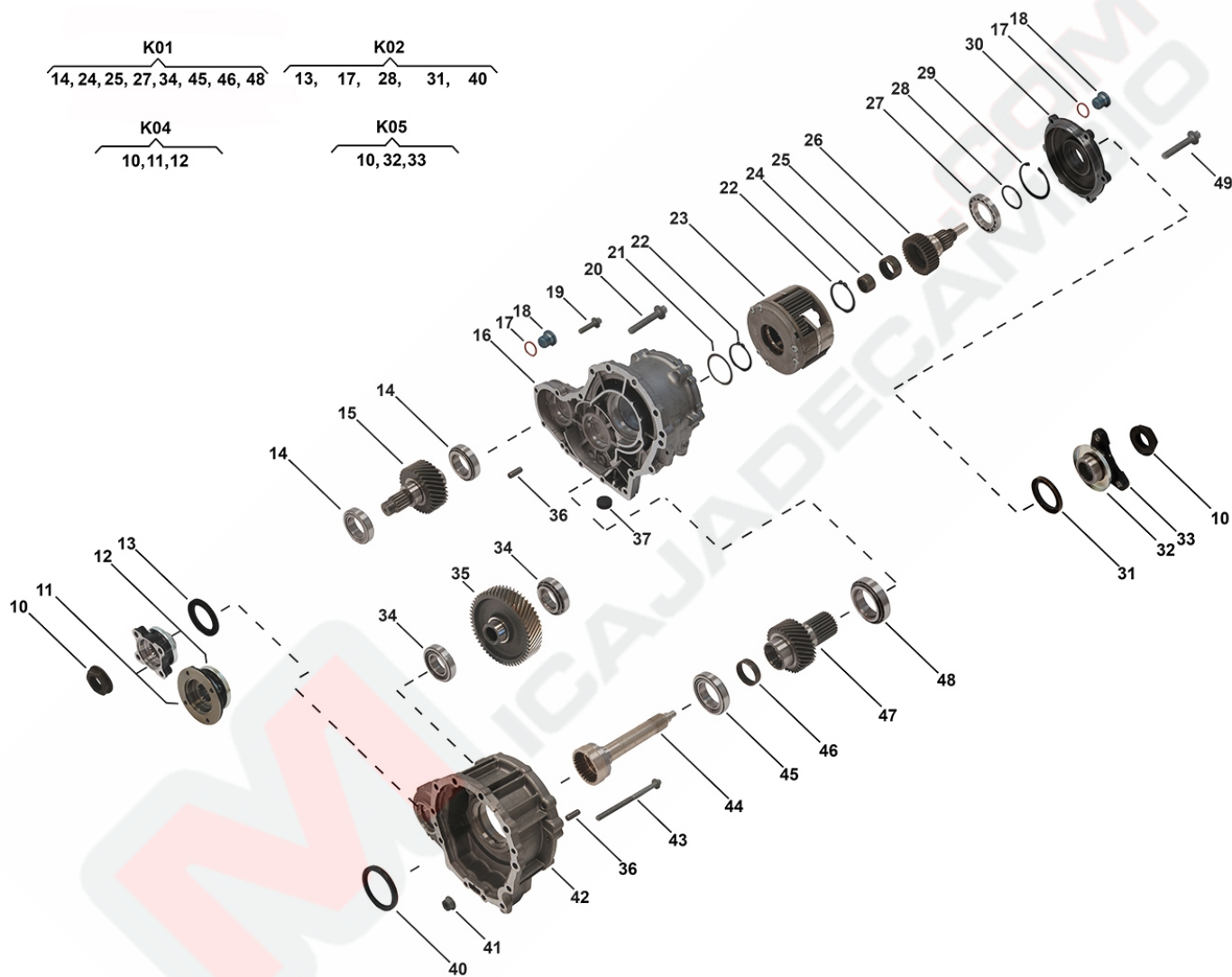
TC00185, TC00187, TC00203, TC00210

OEM No: A2032800700; A2112800900; A2112801000; A2202800700

## Brands

Brand	Modelseries
Mercedes-Benz	C-Class; E-Class; S-Class

## List of parts



Pos	Part number	OEM no	Quantity	Product name	Info
'K01	SP00933		1 piece	Bearing Kit	Contains position 14, 24, 25, 27, 34, 45, 46, 48
'K02	SP00934		1 piece	Sealing Kit	Contains position 13, 17, 28, 31, 40
'K04	SP00936		1 piece	Flange Kit Front	Contains position 10, 11, 12
					Information for SEC: Used in A2032800700, A2202800700

# Transfer Case SEC

TC00185, TC00187, TC00203, TC00210

OEM No: A2032800700; A2112800900; A2112801000; A2202800700

## List of parts

Pos	Part number	OEM no	Quantity	Product name	Info
'K04	SP00937		1 piece	Flange Kit Front	Contains position 10, 11, 12 Information for SEC: Used in A2112800900, A2112801000
'K05	SP00938		1 piece	Flange Kit Rear	Contains position 10, 32, 33 Information for SEC: Used in A2112801000, A2202800700
'K05	SP00939		1 piece	Flange Kit Rear	Contains position 10, 32, 33 Information for SEC: Used in A2032800700, A2112800900
10	SP00491	05143678AA; A2109900151	2 pieces	Flange Nut	
11	SP00887		1 piece	Flange Front	Information for SEC: Used in A2032800700, A2202800700
11	SP00889	A2112820045	1 piece	Flange Front	Information for SEC: Used in A2112800900, A2112801000
12	SP00890	A2102820076	1 piece	Slinger	
13	SP00891	05143658AA; A2209970346	1 piece	Radial Sealing	
14	SP00892	05143673AA; A2209810805	2 pieces	Tapered Roller Bearing	
15	SP00893	05143669AA	1 piece	Sprocket Shaft	
16	Not available		1 piece	Housing Rear	
17	SP00932	05143632AA	3 pieces	Washer-Sealing	
18	SP00895	05143631AA	3 pieces	Plug	
19	SP00896	05143657AA	2 pieces	Socket Screw	
20	SP00897		9 pieces	Socket Screw	
21	SP00898	05143675AB	1 piece	Thrust Washer	
22	SP00899	05143680AA	2 pieces	Retaining Ring	
23	SP00900	A2035500108	1 piece	Differential ASM	Information for SEC: Used in A2032800700, A2112800900, A2112801000
23	SP00902	A2208000975	1 piece	Differential ASM	Information for SEC: Used in A2202800700
24	SP00903	A2209811710	1 piece	Needle Bearing	
25	SP00904	A2209811610	1 piece	Needle Bearing	
26	SP00905		1 piece	Sprocket Shaft	
27	SP00906	05143662AA; A2209810125	1 piece	Ball Bearing	
28	SP00907	05143674AA	1 piece	O-Ring	
29	SP00908		1 piece	Retaining Ring	
30	Not available		1 piece	Gearbox Case Cap	
31	SP00910	05143659AA; 97033280300; A2209970246	1 piece	Radial Sealing	
32	SP00911		1 piece	Slinger	
33	SP00912		1 piece	Flange Rear	Information for SEC: Used in A2112801000, A2202800700
33	SP00913		1 piece	Flange Rear	Information for SEC: Used in A2032800700, A2112800900
34	SP00914	05143672AA; A2209810705	2 pieces	Tapered Roller Bearing	
35	SP00915	05143668AA	1 piece	Sprocket	
36	SP00916	N000000004503	2 piece	Pin	
37	SP00130	05143630AA; A2102760098	1 piece	Magnet	

## Transfer Case SEC

TC00185, TC00187, TC00203, TC00210

OEM No: A2032800700; A2112800900; A2112801000; A2202800700

### List of parts

Pos	Part number	OEM no	Quantity	Product name	Info
40	SP00920	05143660AA; A2209970046	1 piece	Radial Sealing	
41	SP00921		4 pieces	Nut	
42	Not available		1 piece	Housing Front	
43	SP00923		4 pieces	Socket Screw	
44	SP00924		1 piece	Drive Shaft	
45	SP00926	05143671AA	1 piece	Tapered Roller Bearing	
46	SP00927	A2209811510	1 piece	Needle Bearing	
47	SP00928		1 piece	Hollow Shaft	
48	SP00930	05143670AA; A2209810605	1 piece	Tapered Roller Bearing	
49	SP00931		6 pieces	Tapping Screw	
	SP02000		1 piece	Sealant	Sealant SILICON BLACK (1pce = 300ml)