

# StarNET ET 8 or 16 Channel DVRs

Up to 24TB Max Storage DVR, 1080p/30ips Recording All Channels H.265/H.264



The 8 and 16 channel ET 25 Series Digital Video Recorders provide HD real-time recording and live display over existing coax cable with no need to rewire. The ET 25 Series DVRs are designed to “plug-and-play” right out of the box and will accept multiple HD over coax standards including HD-TVI, AHD, and SD analog CVBS signals. The simplicity of this system makes the ET 25 Series recorder an ideal choice for retail, banking and small business applications.

The ET 25 Series delivers a complete network surveillance solution that meets the demands of user applications from a single location to more complex multi-site locations.

The ET 25 Series, utilizing StarNET VMS can support up to 1,024 devices with up to 16 cameras per device or 16,384 cameras. As with all Costar recording platforms, the ET 25 Series systems maintain compatibility with StarNET and StarNET Pro.



**StarNET ET**  
Pre-Installed



**Linux**  
Embedded OS



**1080p/30ips**  
Recording



**Up To 5MP**  
Cameras



**Gigabit**  
Client NIC



**On-Board Storage**  
Up to 24TB



**4 Drive Capacity**

## Series Features

- 8 or 16 Channel 1080p/30ips real-time recording
- H.265, H.264 compression
- Up to 5MP resolution
- x2 ~ x7 Digital Zoom
- Two-way audio communication
- Video Motion Detection (VMD)
- Video Obscuration Detection (VOD)
- Two front USB 2.0 ports
- One rear USB 3.0 port
- USB mouse operation
- Text interface for ATM applications
- SATA x4 (Up to 6TB capacity for each disk)
- eSATA port for external storage expansion
- Remote Access System (StarNET) Software Supports Static-IP, ADSL, DHCP, Dynamic-IP
- Remote access via free smart phone app compatible with Apple® and Android™ devices
- NDAA Compliant

## Recorder Specifications

Model		CR8025ET-xxTB	CR1625ET-xxTB	
<b>Recording</b>	Max Channels	8 Channels	16 Channels	
	Recording Resolutions	Up to 5MP		
	Max Recording Rate	480ips at 1080p		
	Image Compression	H.264/H.265		
<b>Connections</b>	Video Outputs	1 x HDMI 1 x VGA 1 x BNC (Spot)		
	Maximum Display Resolution	4K (HDMI) / 1920 x 1080 (VGA) / 704x480 NTSC, 704x576 PAL (BNC)		
	Client Network	1 x Gigabit RJ-45 Ethernet Port		
	Video Inputs	16 x Composite Inputs: BNC, 1 Vp-p, Auto-Terminating, 75Ω		
	Audio	4 x RCA Audio Input 1 x RCA Audio Output		
	eSATA	1 x eSATA Port		
	Alarm Sensor Inputs	8 TTL, NC/NO Programmable, 2.4V (NC) or 0.3V (NO) Threshold, 5VDC	16 TTL, NC/NO Programmable, 2.4V (NC) or 0.3V (NO) Threshold, 5VDC	
	Alarm Relay Output	4 x Relay Output, 2A@125VAC, 1A@30VDC (NO)		
	Alarm Reset Input	1 x Alarm Reset Input		
	Serial Ports	1 x RS-232 Terminal Block 1 x RS-485 Terminal Block		
	USB Ports	<b>Front:</b> 2 x USB 2.0 <b>Rear:</b> 1 x USB 3.0		
<b>Software</b>	Operating System	Embedded Linux		
	Remote Operation	StarNET Pro / StarNET / StarNET + Mobile App		
	User Management	DVR / StarNET Client		
	Recording Mode	Time Lapse / Event / Pre-Event / Panic / Schedule		
	Playback Search	Multi-channel playback / Time Lapse / Event Log / Text-In		
	Clip Backup	USB Clip Copy		

### General

<b>Optical USB Mouse</b>	Included
<b>Operating Temperature</b>	Max temperature: 104°F (40°C)
<b>OS Drive Configuration</b>	Dedicated Solid State Drive
<b>Maximum Storage</b>	24TB
<b>Rack Mount</b>	2U Rack Mountable
<b>Warranty</b>	3 Years

### Electrical

<b>Input Voltage</b>	100-240VAC, 0.5-1A
<b>Consumption</b>	80W*

### Environmental

<b>Operating Temperature</b>	32°F (0°C) to 104°F (40°C)
<b>Humidity</b>	0% to 90% (non-condensing)

### Compliance

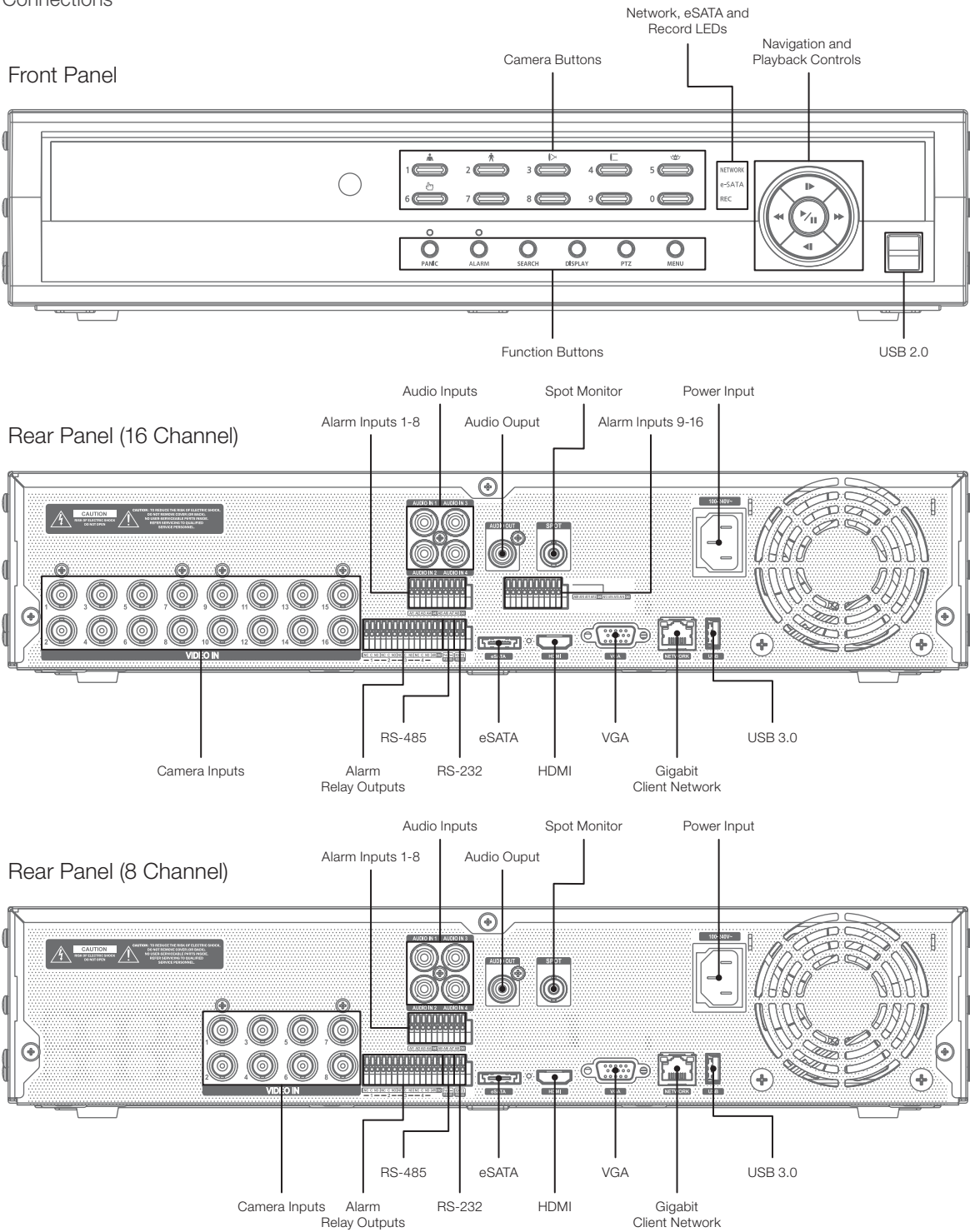
<b>Camera Support</b>	HD-TVI, AHD, and SD analog
<b>Approvals</b>	FCC, CE, UL, CB, PSE

### Mechanical

<b>Dimensions</b> <i>(See Dimensions)</i>	<b>Unit</b>	17" W (430mm) x 3.5" H (88mm) x 16.44" L (417.6mm)
<b>Weight</b>	<b>Unit</b>	14.1lbs (6.4kg)*

\* 8TB Model

## Controls and Connections



See Next Page for Ordering Information



### Model Numbers

8 Channel	CR8025ET-4TB
	CR8025ET-6TB
	CR8025ET-8TB
	CR8025ET-10TB
	CR8025ET-12TB
	CR8025ET-16TB
	CR8025ET-24TB
16 Channel	CR1625ET-4TB
	CR1625ET-6TB
	CR1625ET-8TB
	CR1625ET-10TB
	CR1625ET-12TB
	CR1625ET-16TB
	CR1625ET-24TB

### eSATA Extended Video Storage Model Numbers

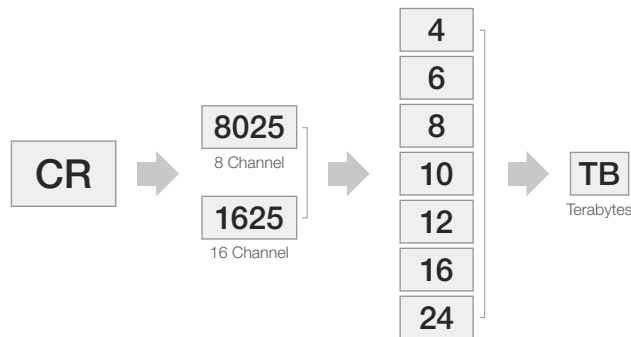
8TB	CREVS4R20-8TB
12TB	CREVS4R20-12TB
16TB	CREVS4R20-16TB

Create Your Model (Example: CR1625ET-24TB)

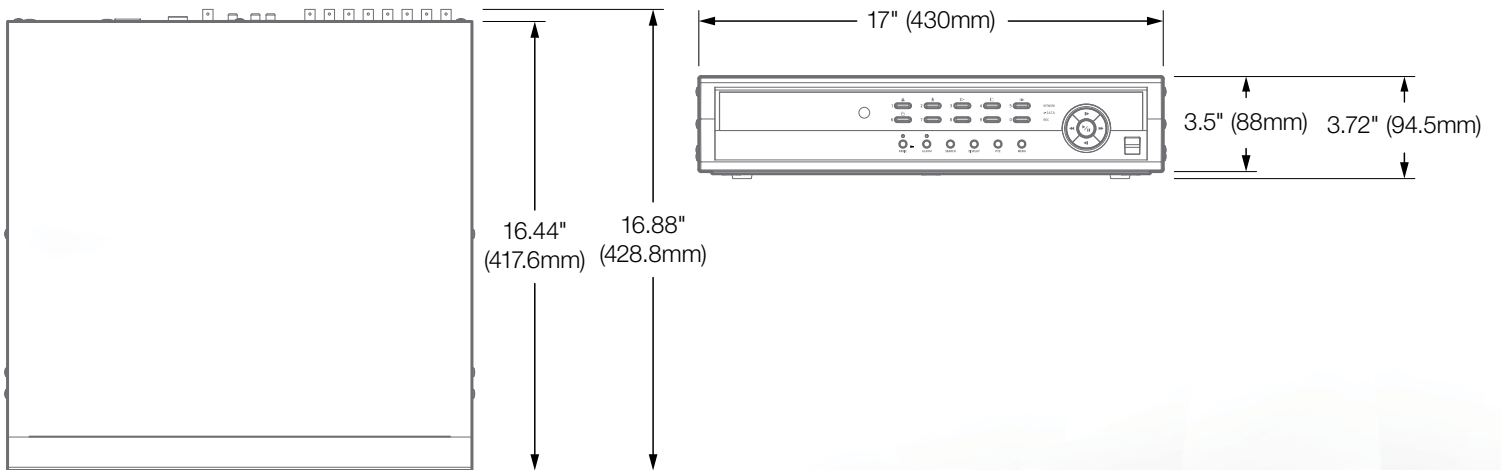
8 or 16 Channel  
ET 25 Series NVR

Default Storage

Storage Type



### Dimensions



# COSTAR

VIDEO SYSTEMS