

ELECTRONIC HEAT DETECTOR TMP2



KEF 20 ATEX 0021 X

0068-CPR-009/2014

TECHNICAL SPECIFICATIONS

Sensor	Semi-conductor
Temperature Range	-20°C to +110°C
Code of Protection	ATEX II 2GD Ex db tb IIC IIIC T6 T85°C
Protection Degree	IP66 (Probe IP67)
Location	Hazardous & Industrial areas
Short-term repeatability	±2% FSD 60 min.
Long-term repeatability	±3% FSD 3 months.
Accuracy (linearity)	±1% FSD

Environmental Specifications

EMC	According EN61000-4
Storage temperature	-40 to 135 °C
Operating temperature	-20 to 135 °C
Humidity range	90% R.H. n.c.

Electrical Specifications

Supply Voltage	10-30 Vdc
Supply current	about 20/30 uA in normal conditions
Supply current in alarm	11mA ±3mA @ 13,7 Vdc 12mA ±3mA @ 24 Vdc
Supply fuse	50 mA
Connection	2 conductors cable

Mechanical Specifications

Overall dimensions	ATEX version: 160x85x75 mm DUST version: 203x95x60 mm
Weight:	ATEX version: 410 g. DUST version: 400 g.
Mounting	2x6 mm holes
Termination Ex d	Cable Holder
Probe attachment	1/2" NPT
Junction box attachment	ATEX version: 1/2" NPT DUST version: 2 x M20 Cable Holder (Cables diameter 6 to 13 mm)
Probe Ext. connection	1/2" GAS ISO 228 B

FEATURES

- Interactive
- To be used in industrial hazardous areas
- Protective PCB coating
- Short circuit isolator
- Conforms to EMC directive
- Immune to electromagnetic disturbance
- High reliability due to Self-diagnosis procedure
- Programmable LED for status indication
- Two wires technology
- Low power consumption
- Temperature set-point levels from **-20°C up to 110°C**.
- Configurable classes A1, A2, B, C, D
- Different output configurations. Static and/or Rate of Rise
- Proven technology
- Not influenced by dust, humidity, exhaust gases.
- EN54-5 CPR Certified
- Tested with internal climatic tunnel on production line
- shock and vibration resistant

APPLICATIONS

- Commercial and Industrial plants
- Hazardous Areas (Classified Zones 1/21 and 2/22)
- Suitable in dangerous environmental conditions such as in presence of corrosive elements or condensing steams
- Suitable to be used with all Conventional Fire Detection Systems

Especially suitable for:

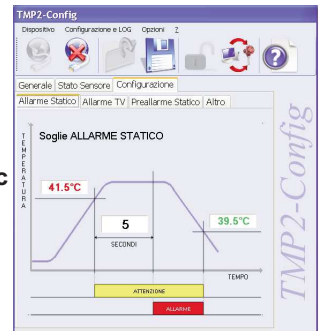
- Refineries and Hazardous material stores
- Extraction ducts
- Boiler rooms
- Workshops
- Oil & Gas plants
- Pumping rooms
- Refrigeration cells

- **Certificate ATEX II 2GD Ex db tb IIC IIIC T6 T85°C**

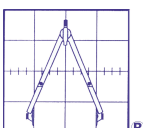
- **Certificate EN54-5 CPR**

"TMP2-Config": NEW diagnostic and configuration software for:

- Monitoring of sensors and detector functions
- Alarm Temperature Levels setting
- **Temperature Class setting according to EN54-5**
- Static or Rate of Rise functionality setting
- LED functioning mode setting
- Alarm Status setting (Latched or Reflex)
- Service time counter
- Number of events counter
- General information: sensor status, reset, number of power ON and power OFF



Copyright OGGIONI sas




OGGIONI s.a.s. Via Lavoratori Autobianchi, 1 - P.T.B. Edif.13, strada 7 - 20832 Desio (MB) - Italy
Tel.+390362 629135 Fax +390362 622531 www.oggonisas.com - e-mail: info@oggonisas.com

CONFIGURATIONS


Model	Box Type	Temperature Class	Mode	Led Status	Alarm config.
TMP2		<ul style="list-style-type: none"> — A1 = Static alarm 54-65°C — A2 = Static alarm 54-70°C — B = Static alarm 69-85°C — C = Static alarm 84-100°C — D = Static alarm 99-115°C 	<ul style="list-style-type: none"> — R = Static & Rate of Rise — S = Static 	<ul style="list-style-type: none"> — 1 = OFF in normal condition ON in Alarm condition — 2 = PULSE in normal condition OFF in Fault condition ON in Alarm condition 	<ul style="list-style-type: none"> — M = Manual Reset — A = Auto Reset
<ul style="list-style-type: none"> J = Atex 1 way 1/2" connection box T = Atex 2 ways T 1/2" connection box JO = Atex 1 way connection box with glass TO = Atex 2 ways T connection box with glass D = Aluminium housing IP66 P = Only probe without housing 					

Example of **J** or **T** box




Atex certified
zones 1/21 & 2/22

Example of **JO** or **TO** box



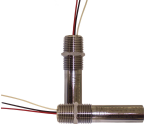
Atex certified zones 1/21 & 2/22
EN54-5 certified

Example of **D** box

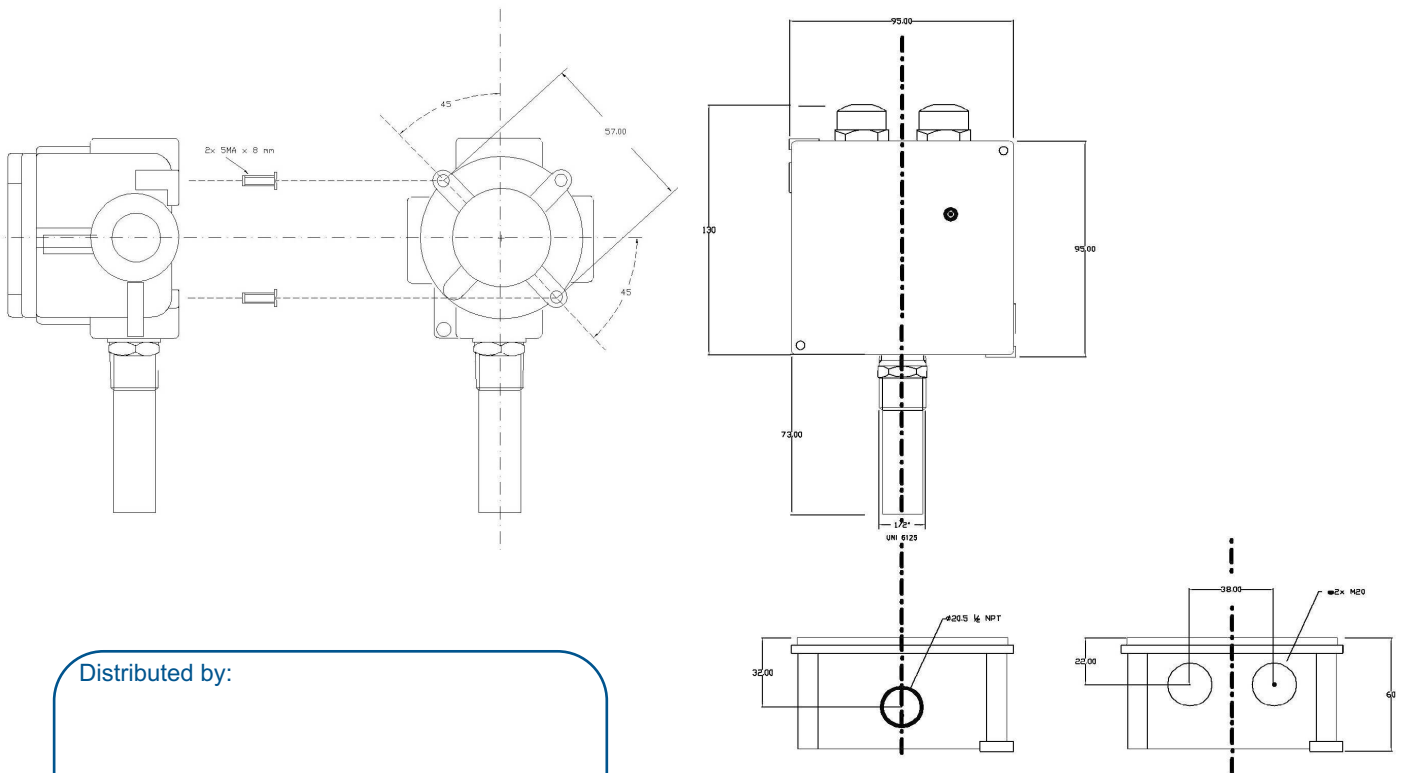


EN54-5 certified

Example of **P** (Probe)



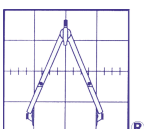
Example of product code creation:
 Heat detector ATEX certified T-box with glass, Temp. class C with alarm intervention at 90°C static with pulse LED and Auto Reset alarm:
 Code: **TMP2-TO-C90S2A**
 Heat detector Dust box, Temp. class A2 with alarm intervention at 57°C Rate of Rise with OFF LED in normal condition and Auto Reset alarm:
 Code: **TMP2-D-A257R1A**



Distributed by:

Copyright OGGIONI sas

OGGIONI s.a.s. reserves the right to change published specifications and designs without prior notice.



OGGIONI s.a.s. Via Laboratori Autobianchi, 1 - P.T.B. Edif.13, strada 7 - 20832 Desio (MB) - Italy
 Tel.+39 0362 629135 Fax +39 0362 622531 - www.oggonisas.com - e-mail: info@oggonisas.com