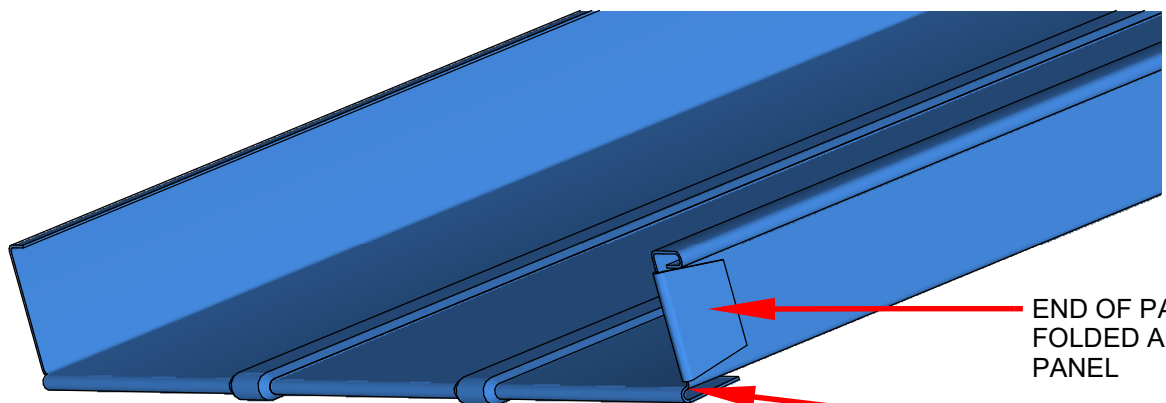


**1** ROOF PANEL - 24ga.  
**A-01**

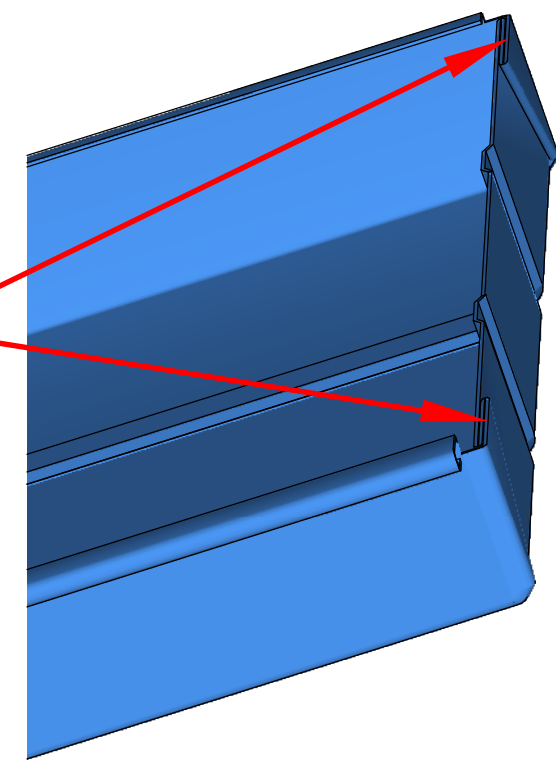
FOLD END OF PANEL WITH  
A CONTINUOUS FOLD, PANEL  
NOT TO BE CUT



**2** ROOF PANEL - FRONT VIEW  
**A-01**

END OF PANEL TO BE  
FOLDED AROUND NEXT  
PANEL

END OF PANEL TO BE  
FOLDED BACK UNDER  
DRIP FLASHING



**3** ROOF PANEL - END VIEW  
**A-01**

REMARKS



PEERLESS BUILDING PRODUCTS  
O/A 360326 ALBERTA LTD.  
1301 PORTERS HILL SE.  
MEDICINE HAT, AB.  
T1A 8N5  
PH. 403-527-5700  
FAX. 403-526-1717

DRAWN BY: \_\_\_\_\_

DATE: \_\_\_\_\_

SCALE: \_\_\_\_\_

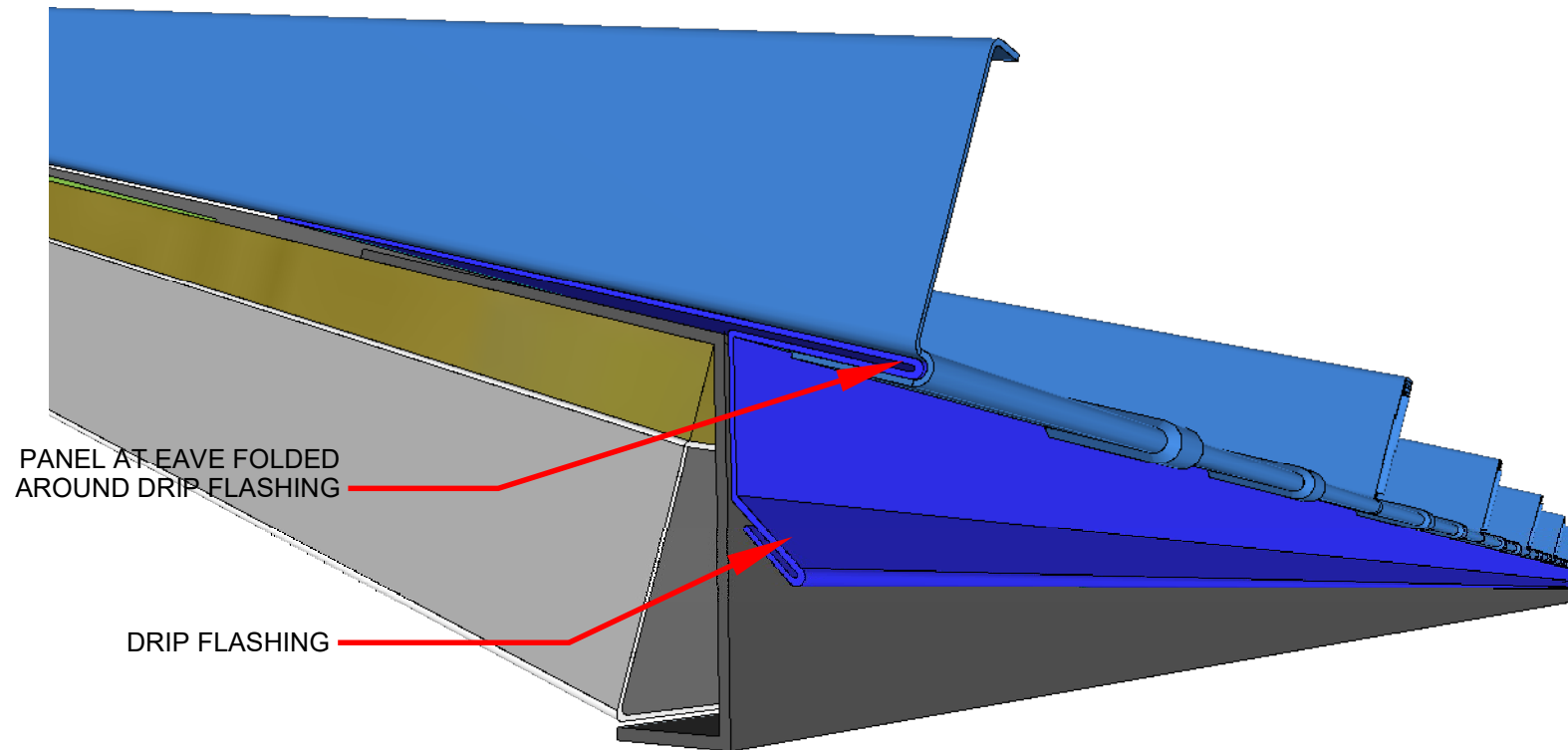
PROJECT NO: \_\_\_\_\_

PROJECT: \_\_\_\_\_

PROJECT ADDRESS: \_\_\_\_\_

DRAWING NAME:  
**ROOF PANEL**

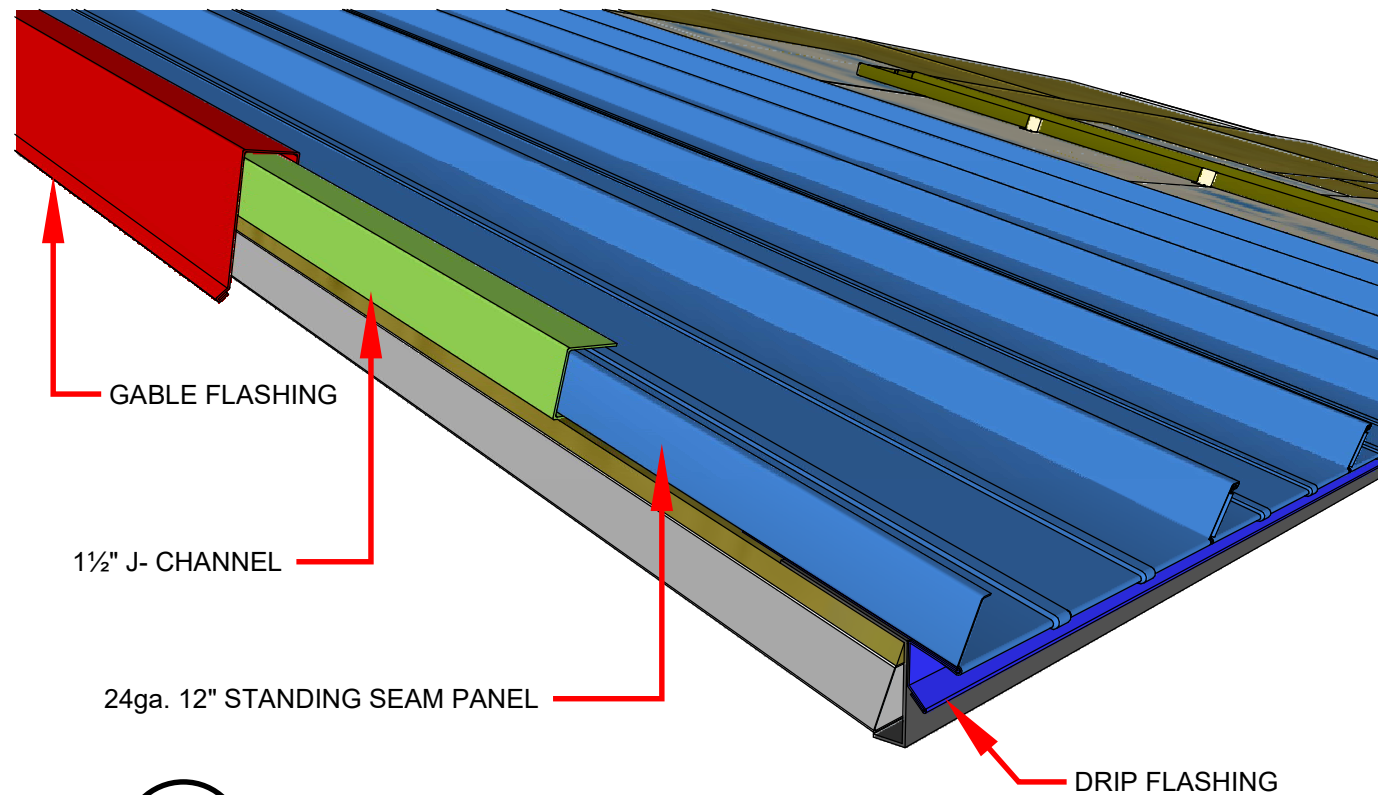
DRAWING NO:  
**A-01**



PANEL AT EAVE FOLDED AROUND DRIP FLASHING

DRIP FLASHING

**1**  
A-02  
EAVE DETAIL



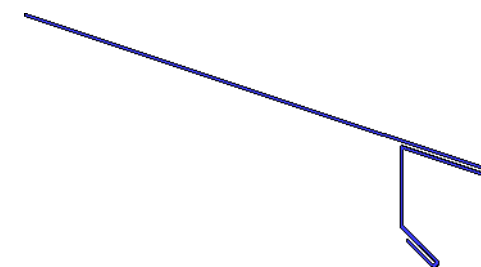
GABLE FLASHING

1 1/2" J-CHANNEL

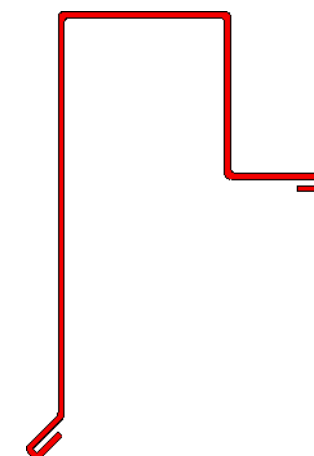
24ga. 12" STANDING SEAM PANEL

DRIP FLASHING

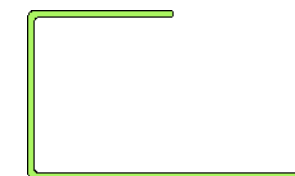
**2**  
A-02  
GABLE FLASHING



**3**  
A-02  
EAVE DRIP FLASHING - PROFILE



**4**  
A-02  
GABLE FLASHING - PROFILE



**5**  
A-02  
J-CHANNEL - PROFILE

REMARKS



PEERLESS BUILDING PRODUCTS  
O/A 360326 ALBERTA LTD.

1301 PORTERS HILL SE.  
MEDICINE HAT, AB.  
T1A 8N5  
PH. 403-527-5700  
FAX. 403-526-1717

DRAWN BY:

DATE

SCALE:

PROJECT NO:

PROJECT:

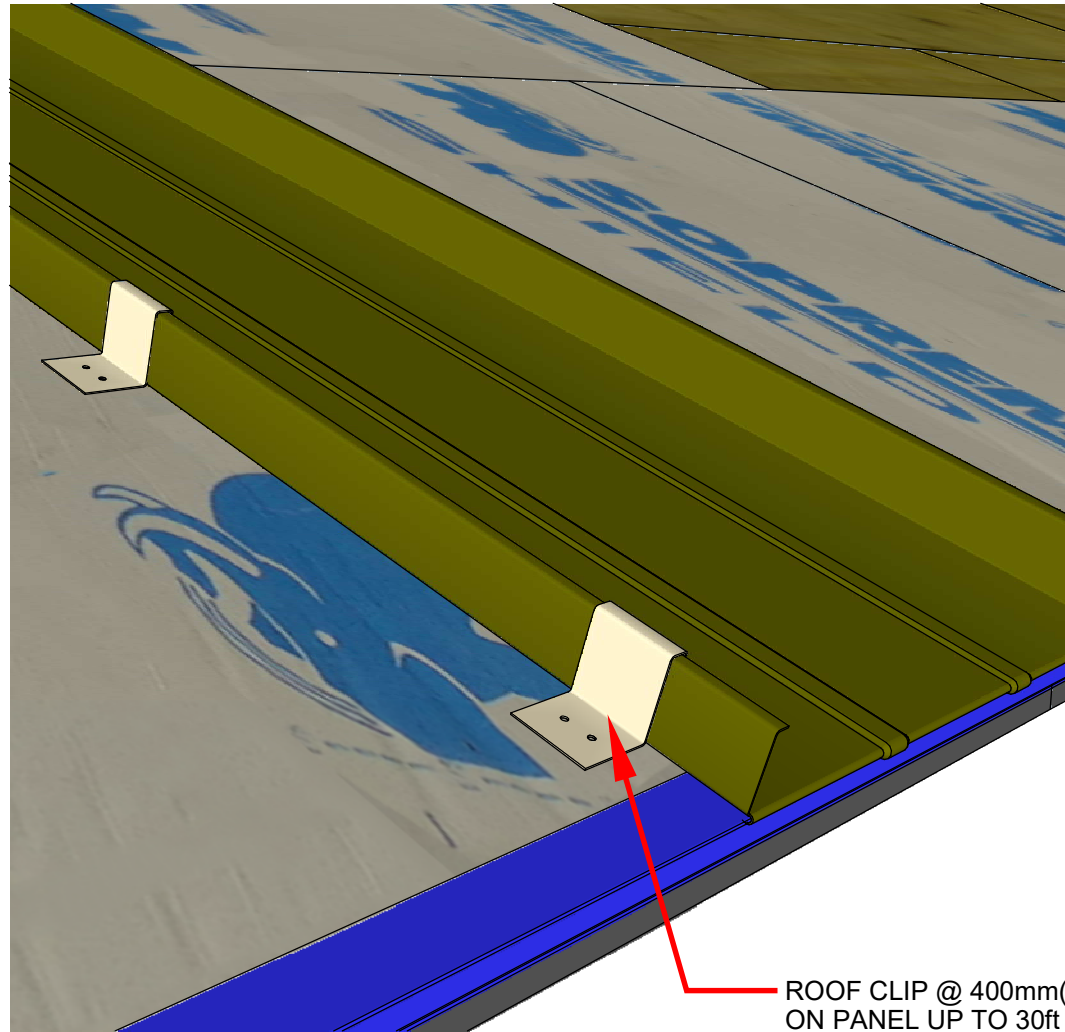
PROJECT ADDRESS:

DRAWING NAME:

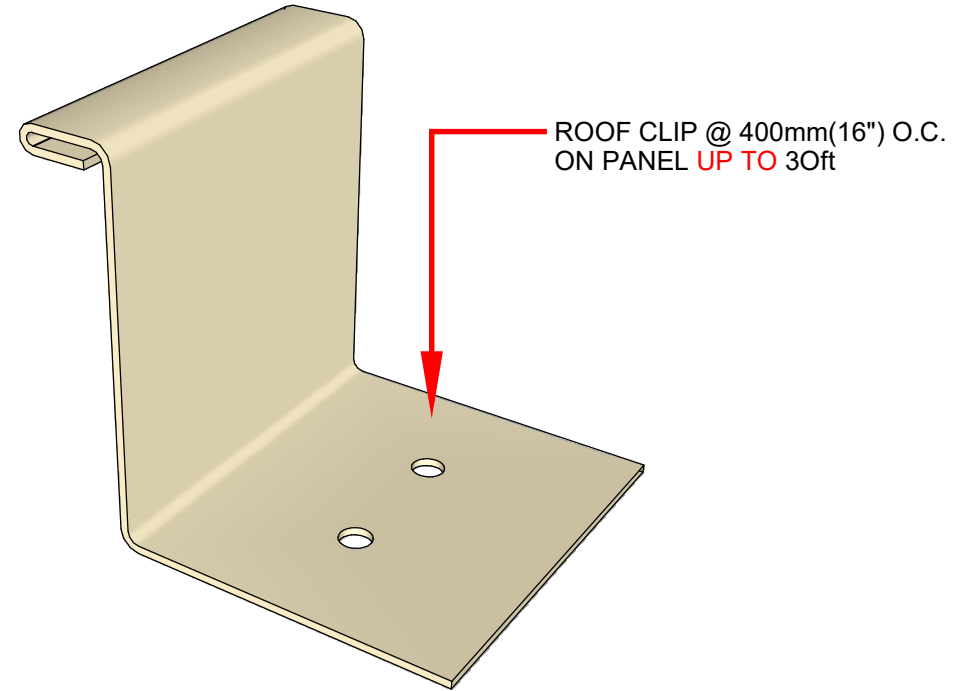
DETAILS

DRAWING NO:

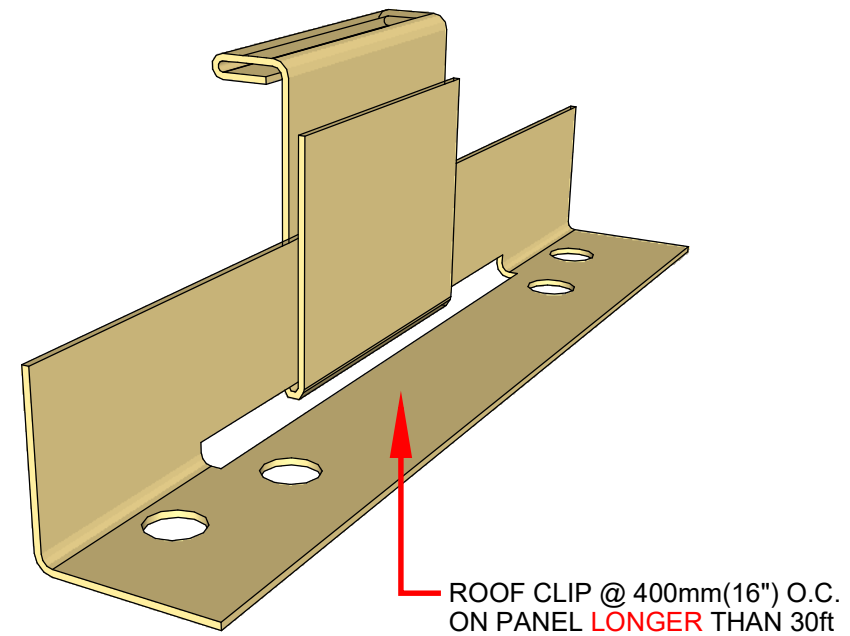
A-02



**1**  
**A-03** STANDING SEAM PANEL WITH 1 PCE. ROOF CLIP



**1**  
**A-03** STANDING SEAM PANEL WITH 1 PCE. ROOF CLIP



**1**  
**A-03** STANDING SEAM PANEL WITH 2 PCE. ROOF CLIP

REMARKS



PEERLESS BUILDING PRODUCTS  
O/A 360326 ALBERTA LTD.

1301 PORTERS HILL SE.  
MEDICINE HAT, AB.  
T1A 8N5  
PH. 403-527-5700  
FAX. 403-526-1717

DRAWN BY:

DATE

SCALE:

PROJECT NO:

PROJECT:

PROJECT ADDRESS:

DRAWING NAME:

**DETAILS**

DRAWING NO:

**A-03**