

REMARKS



PEERLESS BUILDING PRODUCTS  
O/A 360326 ALBERTA LTD.

1301 PORTERS HILL SE.  
MEDICINE HAT, AB.  
T1A 8N5  
PH. 403-527-5700  
FAX. 403-526-1717

DRAWN BY: ??????????

DATE

SCALE:

PROJECT NO:

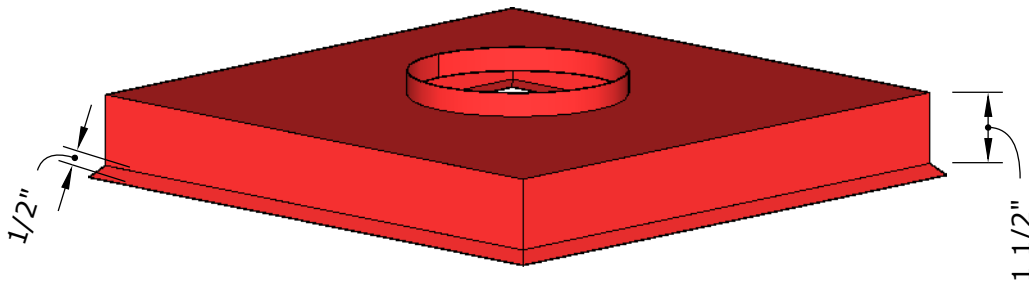
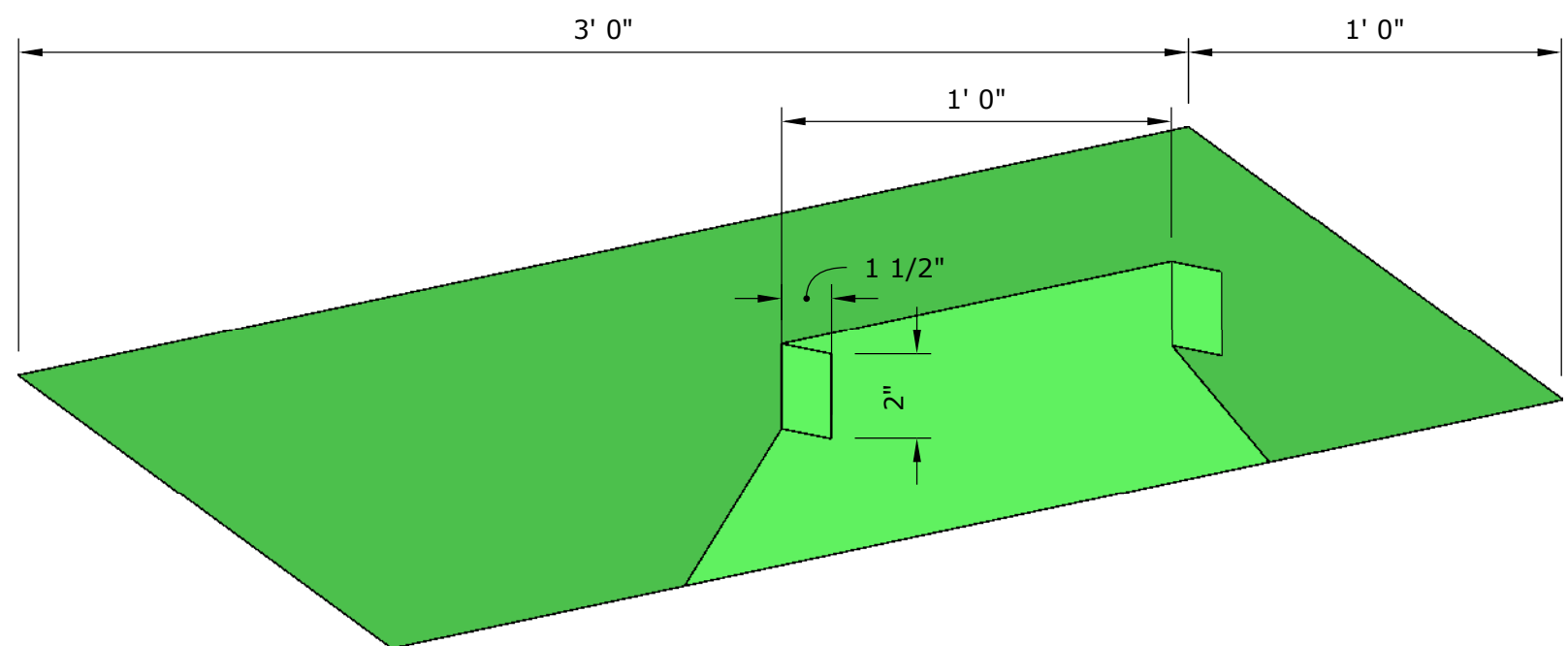
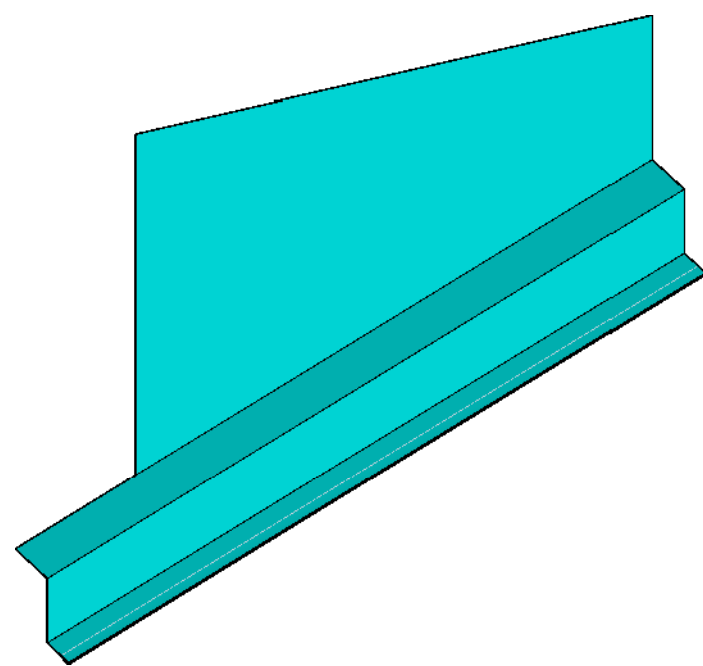
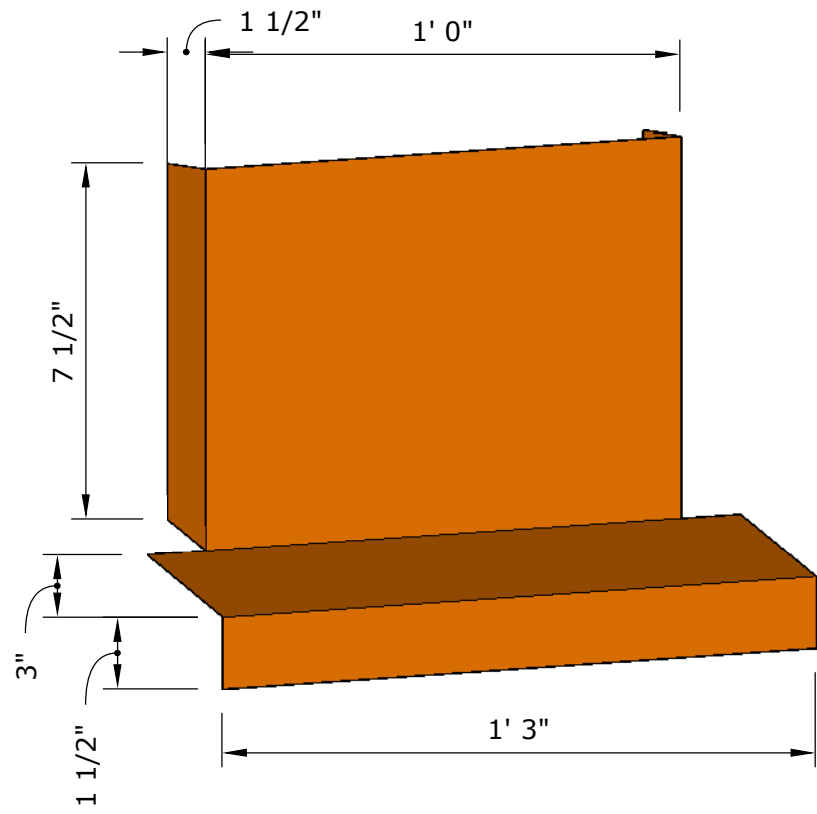
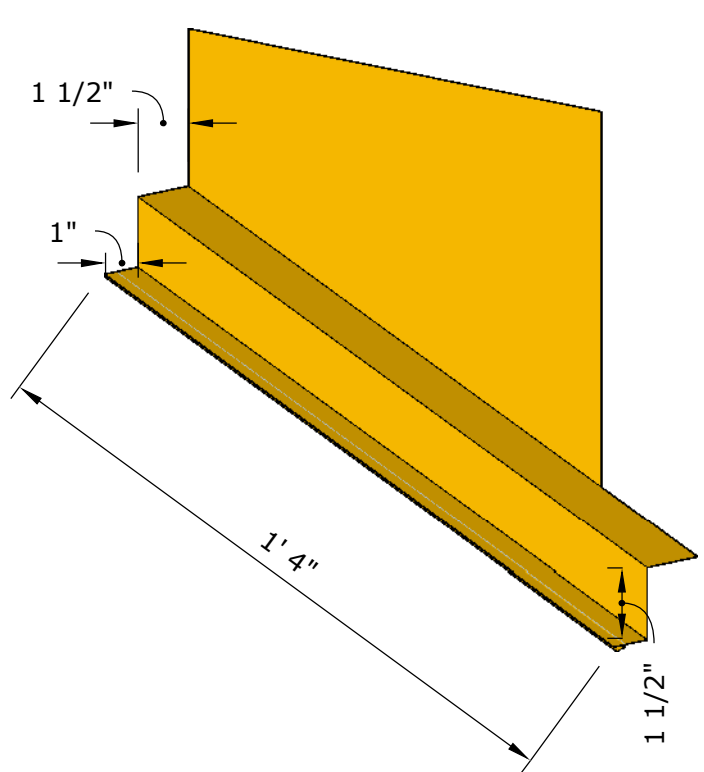
PROJECT:  
????????????????????

PROJECT ADDRESS:  
????????????????????

DRAWING NAME:

DRAWING NO:

A-01



REMARKS



PEERLESS BUILDING PRODUCTS  
 O/A 360326 ALBERTA LTD.  
 1301 PORTERS HILL SE.  
 MEDICINE HAT, AB.  
 T1A 8N5  
 PH. 403-527-5700  
 FAX. 403-526-1717

DRAWN BY: ??????????

DATE

SCALE:

PROJECT NO:

PROJECT:  
 ??????????????????????

PROJECT ADDRESS:  
 ??????????????????????

DRAWING NAME:

DRAWING NO:

A-02