

FAQ

Metering – Magflo Meter –

How to setup and connect Magflo meter into a UC50?

Associated Product(s): MAG5000 (7ME6910-...), MAG6000 (7ME6920-...), UC50...

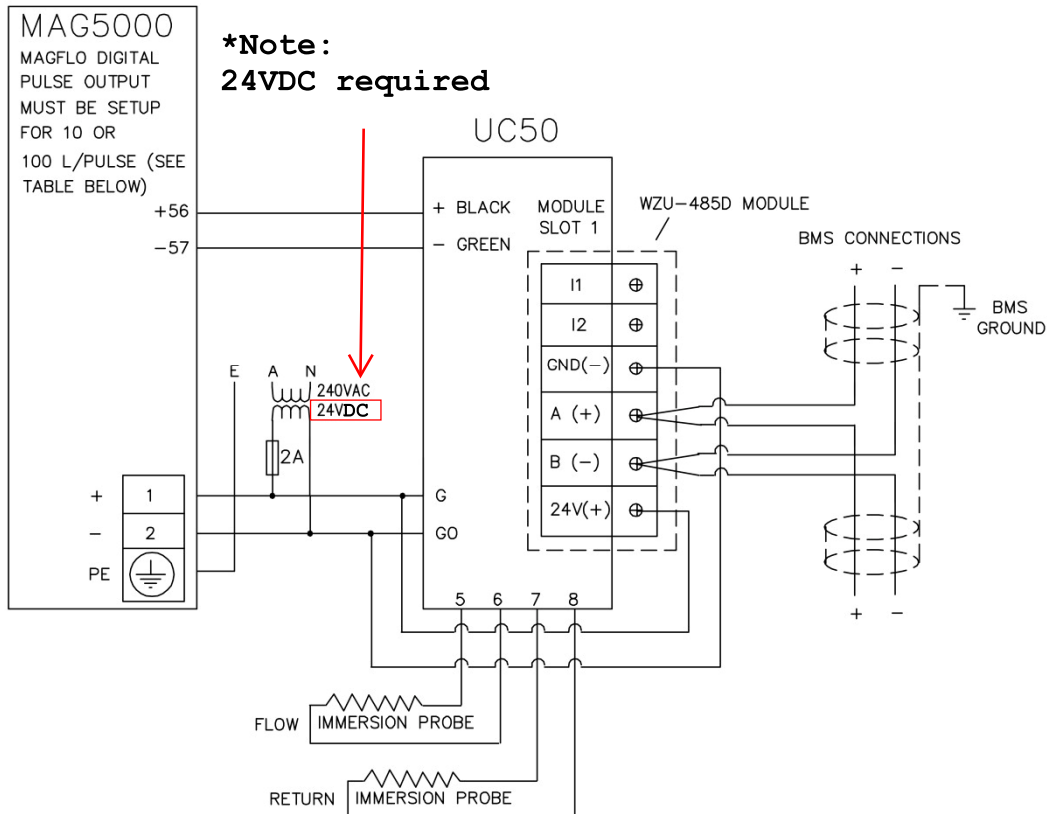
Question

How to setup and connect Magflo meter into a UC50?

Answer

Below is the diagram showing how to connect from the UC50 to the MAG5000.

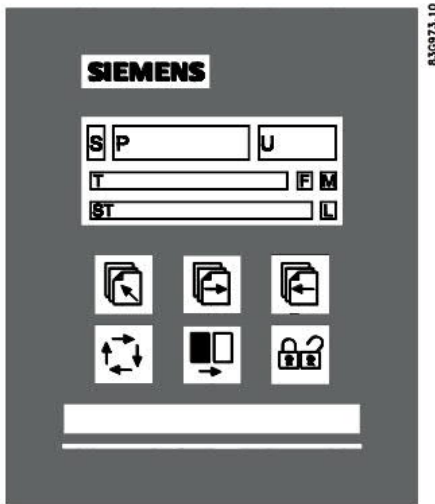
MAGFLO
TRANSMITTER



The below table shows the pulse input rate that needs to be set in the Magflo transmitter.

Pulse Input (Liters/Pulse) for (UC50_030...)	Pulse Input (Liters/Pulse) for (UC50_050...)
10 L/Pulse	100 L/Pulse





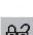

Local user interface



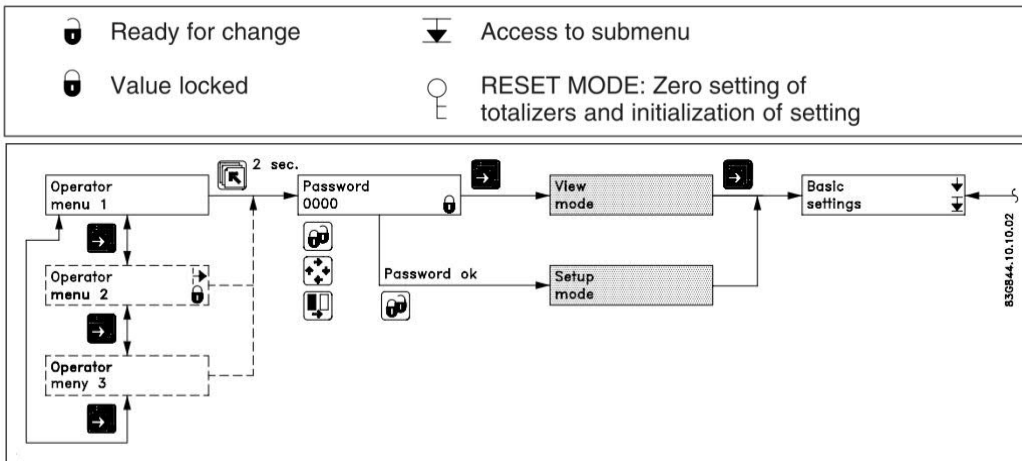
- S Sign field
- P Primary field for numeric value flow rate, Totalizer 1 or Totalizer 2
- U Unit field
- T Title line with individual information according to operator or setup menu selected.
- ST Subtitle line which will either add information to the title line or keep individual information independent of the title line.
- F Alarm field. Two flashing triangles will appear in case of a fault condition.
- M Mode field
- L Lock field

Keypad

The keypad is used to set the flowmeter. The function of the keys is as follows:

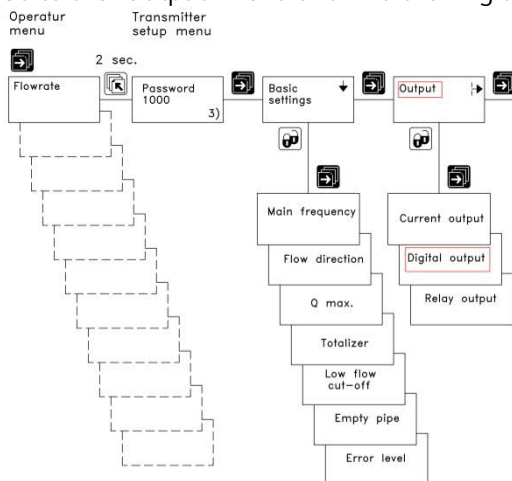
- TOP UP KEY  This key (hold 2 sec.) is used to switch between operator menu and setup menu. In the transmitter setup menu, a short press will cause a return to the previous menu.
- FORWARD KEY  This key is used to step forward through the menus. It is the only key normally used by the operator.
- BACKWARD KEY  This key is used to step backward through the menus.
- CHANGE KEY  This key changes the settings or numerical values.
- SELECT KEY  This key selects the figures to be changed.
- LOCK/UNLOCK KEY  This key allows the operator to change settings and gives access to submenus.

L: The lock field. Indicates the function of the lock key.



To set the pulse output in the Magflo transmitter

1. Use the factory password (1000) to put the Magflo transmitter into Setup mode
2. Go to the "Output" menu and find the "Digital Output" sub-menu.



3. Select "Pulse" and then in "Volume/Pulse" put in either 10 l/Pulse or 100 l/Pulse (ensure to change units to "l") depending on the version of the UC50... installed. This volume per pulse value will be displayed on the cover of the UC50.... (see image below).

