

296 Freeport Street
Dorchester, MA 02122

215 Worcester Road
Framingham, MA 01701

548 Washington Street
Hanover, MA 02339



Specifications for Project
DiGregorio Corporation, Anthony DiGregorio 29 Narragansett
Avenue Jamestown, RI 02835

Yale Appliance realizes that our customers have many options where to buy the products we sell. We are confident that our full-service Sales, Delivery, Service repair and Installation services are second to none and the true difference maker when making your final decision. We promise to work tirelessly on your behalf and appreciate the opportunity to earn your business.

548 Washington Street
Hanover
6178226173

Stan Pendrak
stan.pendrak@yaleappliance.com

i REMINDER: To ensure a smooth project it is the responsibility of the homeowner / purchaser of appliances for this project to share all the attached specifications to ensure the cabinet provider, contractor, or any other tradesperson have all the information required to complete their work accurately.

Specifications are subject to change. If any tradesperson has questions regarding the attached specifications please contact our sales associate. Please also realize that Yale Appliance and Lighting does not install, disconnect appliances or modify cabinets in any way as part of standard normal delivery. Yale does offer for specific installations options at an additional charge. Please contact salesperson for details.

Powered by SteelCod

**DiGregorio Corporation, Anthony
DiGregorio 29 Narragansett Avenue
Jamestown, RI 02835**

DiGregorio Corporation, Anthony DiGregorio
29 Narragansett Avenue
Jamestown, RI 02835



Yale Appliance

yaleappliance.com

Stan Pendrak

6178226173

Document **YS00486335**

Version 6.6

Fri, Feb 3, 2023

2:22 PM EST



enterprise.steelcod.com/sp/yale/ZY4PBEOZ

<i>Contents</i>	<i>Page no.</i>
CX 492 611 Gaggenau Full Surface Induction Cooktop 36 Vario Full-surface induction cooktop	4-5
VP 414 611 Gaggenau Vario Teppan Yaki 15 Vario 400 series Teppan Yaki	6-7
AL 400 722 Gaggenau Retractable Downdraft Ventilation 46 5/8" Retractable downdraft with LED lighting	8-18
AR 400 742 Gaggenau Inline Blower 400 series inline blower	19
BM 484 710 Gaggenau Combi-microwave Oven 30 400 series speed microwave oven	20
BO 480 613	21

Note about page numbers:

Because the original manufacturer's documents are not altered in any way, the page numbers displayed on the page may not correspond to the page number within this package.

All specifications are intended for initial planning purposes only.

Manufacturers reserve the right to change specifications at any time without notice. Always consult the installation instructions found on the manufacturer's website or included with the appliances before installation.

Gaggenau Wall Oven

30 400 series single oven

T30IR905SP 22-24

Thermador Refrigeration

30-Inch Built-In Fresh Food Column

T18IF905SP 25-27

Thermador Refrigeration

18-Inch Built-In Freezer Column With Internal Ice Maker

T24IW905SP 28-30

Thermador Refrigeration

24-Inch Built-In Wine Preservation Column

SHVM78Z53N 31-33

Bosch Dishwasher

800 Series Dishwasher 24"

WSEX200HNA 34-35

LG Laundry

Note about page numbers:

Because the original manufacturer's documents are not altered in any way, the page numbers displayed on the page may not correspond to the page number within this package.

All specifications are intended for initial planning purposes only.

Manufacturers reserve the right to change specifications at any time without notice. Always consult the installation instructions found on the manufacturer's website or included with the appliances before installation.



CX 492 611

Stainless steel frame
Black glass ceramic
Width 36" (90 cm)

Included accessories

1 Cooking sensor for temperature regulation.

Installation accessories

In combination of several Vario cooktops, connecting strips must be used. Choose respective VA 420 strip from one of the below, depending on type of installation.

VA 420 000

Connection strip for combination with other Vario 400 series for flush mounting.

VA 420 004

Invisible connection strip for combination with other Vario 400 series flush mounting.

VA 420 010

Connection strip for combination with other Vario 400 series for surface mounting.

Optional accessories

CA 060 600

Cooking sensor for temperature regulation within pots.

GN 232 110

Teppan Yaki plate made of multi-ply material, 13" x 21", GN 1/1.
For full surface induction cooktops.

GN 232 230

Teppan Yaki plate made of multi-ply material, 13" x 14", GN 2/3.
For full surface induction cooktops.

Combinable with:

AL400791
AI442720 / AI442760
AW442720 / AW442760
AF210791

Good to know:

Wall installations require the hood to be as large as the cooktop(s). Island installations require the hood to be larger than the cooktop(s).

Vario 400 series full surface induction cooktop

CX 492

- One large cooking surface
- Free positioning of up to 6 items of cookware
- All sizes and formats of cookware can be used
- TFT touch display for an intuitive control of all functions
- Cooking sensor function for temperature control in pots
- Professional cooking functions
- Max. power output of up to 5,500 W for large cookware
- Precision-crafted 3 mm stainless steel
- For surface mounting with a visible edge or for flush mounting
- Can be combined with other Vario 400 series appliances

Cooking zones

One unique cooking surface allows for all sizes and formats of cookware to be used.
Up to 6 items of cookware can be placed simultaneously on the cooktop.

Operation

Easy to use color graphic TFT touch display with use indications.
Electronic power control in 17 output levels.

Features

Cooking sensor function.
Professional cooking function.
Dynamic cooking function.
Teppan Yaki function.
Booster function for pots.
Booster function for pans.
Keep warm function.
Individual pot detection.
Short-term timer.
Stopwatch.
Information key with use indicators.
Power management.

Home network integration for digital services (Home Connect) wireless via WiFi. The use of the Home Connect functionality depends on the Home Connect services, which are not available in every country.
For further information please check: home-connect.com.

Safety

Main switch.
Residual heat indicator.
Child lock.
Safety shut-off.
Pause function.

Planning notes

Depending on the type of installation (surface-mounted or flush-mounted), the specific definition of the cut-out must be observed.

If combining several Vario 400 series appliances, a connection strip VA 420 must be placed between the appliances. Depending on the type of installation, the corresponding connection strip must be provided.
The weight bearing capacity and stability, in the case of thin countertops in particular, must be supported using suitable substructures.

Take into account the appliance weight and additional loads.

Additional instructions for flush mounting:

Installation is possible in countertops made of stone, synthetics or solid wood. Heat resistant and watertight sealing of the cut edges must be observed. For a suitable heat resistant filler please consult the countertop manufacturer.

Minimum countertop thickness ¾" (20 mm) for surface mounted installation. Minimum countertop thickness 1 ⅜" (30 mm) for flush installation.

The groove must be continuous and even, so that uniform placing of the appliance on the gasket is ensured. Do not use discontinuous lining. The joint width may vary due to size tolerances of the combinations and of the countertop cut-out.

If installing several appliances in individual cut-outs allow for a division bar of minimum 2" (50 mm) between the individual cut-outs.

Operates with magnetic (induction) iron pots and pans only. For an optimal heat distribution, the use of flat bottom cookware is recommended.

The wok pan WP 400 001 cannot be used with this appliance.

To insure that the appliance works correctly, the cooktop must be sufficiently ventilated either from the rear or base of the cabinet.

Please see the installation instructions for further detail.

Appliance can be snapped into the countertop from above.

Appliance weight: approx. 77 lb. (35.2 kg).

Rating

Rating: 6,240 W (208 / 220 V)

7,200 W (240 V)

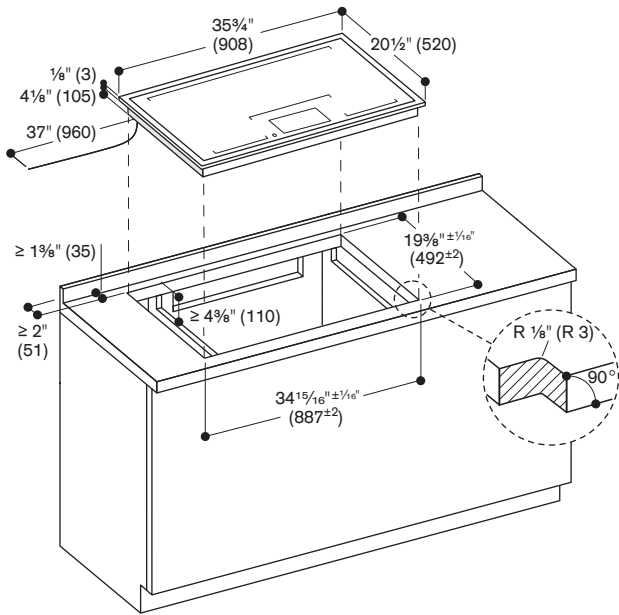
Minimum fuse protection: 30 A

Electrical: 208 / 220–240 V / 60 Hz

Electrical connection:

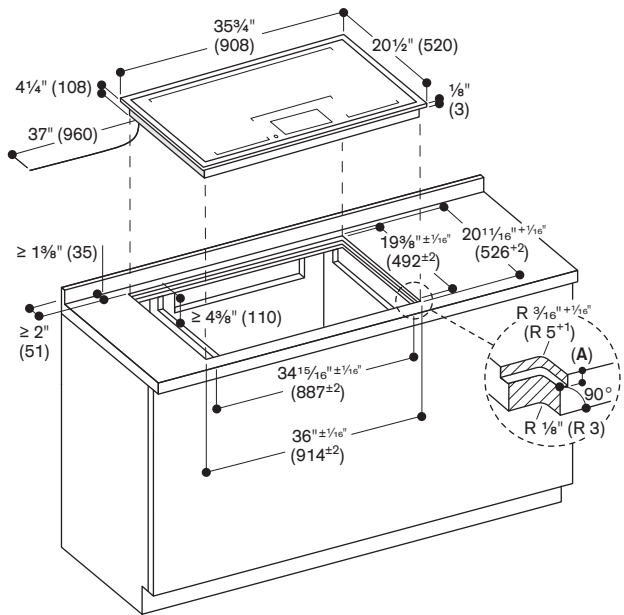
Hardwire required, 37" cable length.

Surface-mount Installation



Minimum countertop thickness $\frac{3}{4}$ " (20 mm) for surface mounted installation.

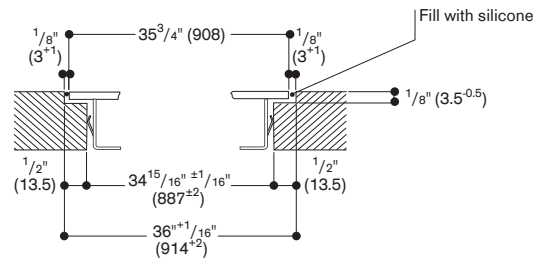
Flush-mount Installation



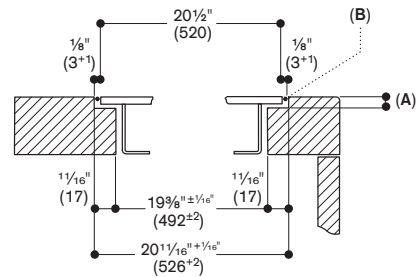
A: $\frac{1}{8}$ " (3.5^{-0.5})

Minimum countertop thickness $1 \frac{3}{16}$ " (30 mm) for flush installation.

Longitudinal section



Cross-section



A: $\frac{1}{8}$ " (3.5^{-0.5})

B: Fill with silicone



VP 414 611

Stainless steel
Width 15" (38 cm)

Included accessory

2 spatulas

Installation accessories

In combination of several Vario cooktops or VL 414 downdraft, connecting strips must be used. Choose respective VA 420 strip from one of the below, depending on type of installation.

VA 420 000

Connection strip for combination with other Vario 400 series appliances for **flush** mounting.

VA 420 004

Invisible connection strip for combination with other Vario 400 series **flush** mounting.

VA 420 010

Connection strip for combination with other Vario 400 series appliances for **surface** mounting.

VA 440 010

Stainless steel appliance cover with mounting strip.
Only available for individual Vario installation.

Combinable with:

VL414712
AL400721
AI442720 / AI442760
AW442720 / AW442760
AF210791

Good to know:

Wall installations require the hood to be as large as the cooktop(s). Island installations require the hood to be larger than the cooktop(s).

Vario 400 series teppan yaki

VP 414

- Hard chrome-plated surface for teppan cooking and use as griddle, grill, searer and warming plate. No pots or pans necessary
- Exact temperature control up to 480° F
- Optimum heat distribution
- Solid stainless steel control knob
- Precision-crafted 3 mm stainless steel
- For surface mounting with a visible edge or for flush mounting
- Can be combined with other Vario 400 series products

Cooking zones

Cooking area: W 12 3/16" x D 17 5/16"
(31 x 44 cm)

Operation

Control knobs with illuminated ring, cooking position and output marking. Electronic temperature control from 240 to 480°F.

Features

Two zones, each 1,500 W, can be operated together as a complete surface or each half separately. Cleaning function. Keep warm setting.

Safety

Safety shut-off.
Pre-heat and residual heat indicator.

Planning notes

Depending on the type of installation (surface-mounted or flush-mounted, with or without an appliance cover), the specific location of the cut-out and the knob positions may vary.

If combining several Vario 400 series appliances, a connection strip VA 420 must be placed between the appliances. Depending on the type of installation, the corresponding connection strip must be provided. The weight bearing capacity and stability, in the case of thin cooktops in particular, must be supported using suitable substructures. Take into account the appliance weight and additional loads.

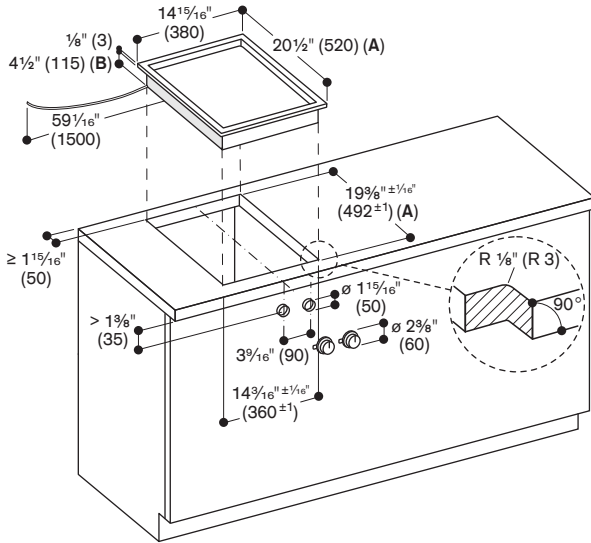
Additional instructions for flush mounting: Installation is possible in countertops made of stone, synthetics or solid wood. Minimum countertop thickness 3/4" (20 mm) for surface mounted installation. Minimum countertop thickness 1 3/16" (30 mm) for flush installation. Heat resistant and watertight sealing of the cut edges must be observed. For a suitable heat resistant filler please consult the countertop manufacturer. The groove must be continuous and even, so that uniform placing of the appliance on the gasket is ensured. Do not use discontinuous lining. The joint width may vary due to size tolerances of the combinations and of the countertop cut-out.

If installing several appliances in individual cut-outs allow for a minimum distance of 2" between the cooktops. A minimum lateral clearance of at least 1 3/8" from adjacent heat-sensitive cabinet or contact surfaces must be observed or thermal insulation fitted. Appliance can be snapped into the countertop from above. Appliance weight: approx. 26.5 lbs.

Rating

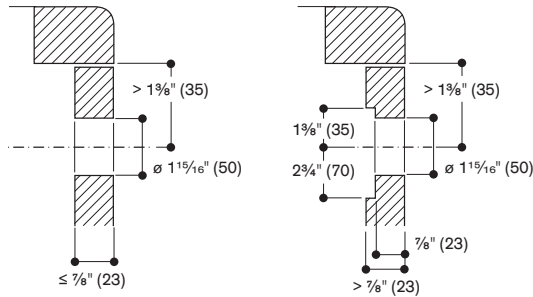
Rating: 3,000 W
Minimum fuse protection: 16 A
Electrical: 208/220-240 V / 60 Hz
Electrical connection:
Hardwire required, 59" cable length.

Surface-mount Installation

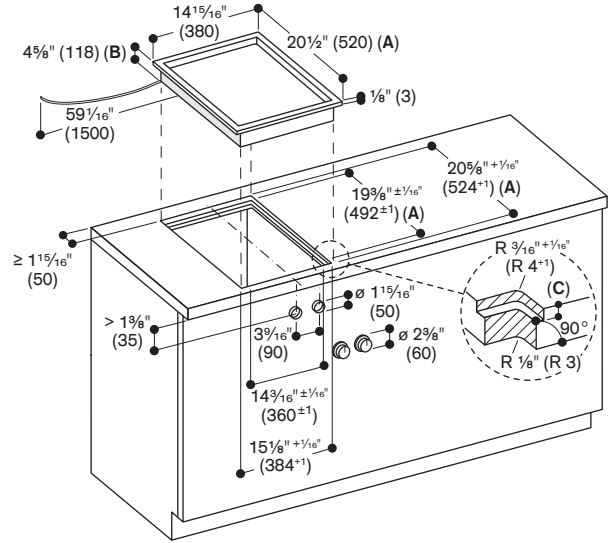


Minimum countertop thickness 3/4" (20 mm) for surface mounted installation.

Installation of the control knob

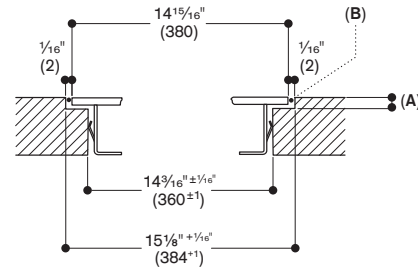


Flush-mount Installation



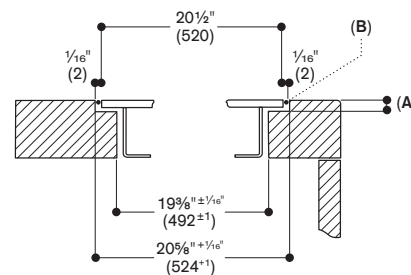
Minimum countertop thickness 1 3/16" (30 mm) for flush installation.

Longitudinal section



A: 1/8" (3.5^{0.5})
B: Fill with silicone

Cross-section



A: 1/8" (3.5^{0.5})
B: Fill with silicone

When installing a single Vario with an appliance cover, see separate planning notes.



AL 400 721

Stainless steel
Width 46 5/8" (120 cm)
Air extraction with 2x 400 series AR400742 inline/AR401742 remote blowers.
Air recirculation operation with 2x AR410710 blowers.
Blowers to be ordered separately.

AL 400 791

Stainless steel
Width 36" (90 cm)
Air extraction with 400 series AR403722 inline/ AR400742 inline/ AR401742 remote blowers.
Air recirculation operation with AR413722 blower.
Blowers to be ordered separately.

Required installation accessories

AD 754 049

Connection piece to 2x 6" round ducts
Fitting AL 400, front or back side.

or

AD 854 050

Connecting pieces for 2 flat ducts DN 150
Fitting AL 400, bottom side.

Installation accessories

AA 010 410

Air exhaust grill recirculation
Stainless steel colored, 36", including installation fittings, height adjustable.

AA 409 401

Cabinet support 33 7/8" for 36" AL 400 downdraft.

Can be combined with retractable downdraft AL 400.

Recommended as bearer for the countertop, instead of a cabinet frame.

AA 409 431

Cabinet support 47 7/16" for 46 5/8" AL 400 downdraft.

Can be combined with retractable downdraft AL 400.

Recommended as bearer for the countertop, instead of a cabinet frame.

AD 704 048

Transition box with two ø 6" round intakes to one ø 8" round outlet.
Required for installation with AL 400 retractable downdraft to connect 2x round ducts to AR 413 722 blower.

AD 704 049

Air collector box DN 150 flat duct 2x DN 150 flat duct air intake.

Retractable downdraft ventilation

AL 400

- Downdraft for combination with all Gaggenau cooktops, when not in use can be completely lowered into the countertop
- Dimmable, neutral white surface LED light for ideal illumination of the cooktop
- Precision-crafted 3mm stainless steel
- For surface mounting with a visible edge or for flush mounting
- Comes without blower, can be combined with Gaggenau extraction or recirculation blowers

Output

Noise level depends on the built-in situation.

Features

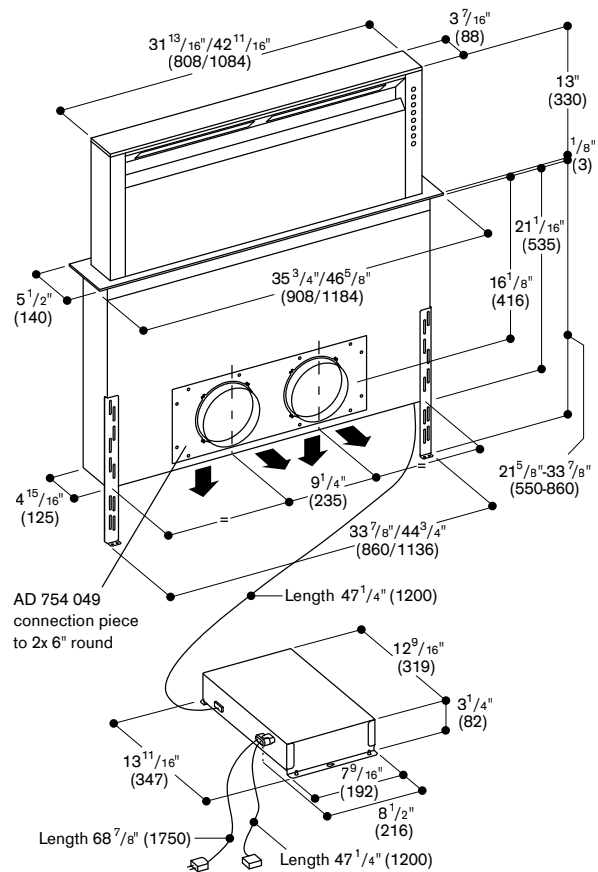
3 electronically controlled output levels and 1 intensive mode.
Interval ventilation, 6 min.
Run-on function, 6 min.
Grease filter saturation indicator.
Cartridge-type filter, dishwasher-safe.
Neutral white surface LED light (3600 K), continuously dimmable.
Lamp output 4x 5 W.
Illuminance 191 lx.
Spare covers for closing air outlets.

Planning notes

Secure the control unit to the side panel of the cabinet, not to the base of the cabinet or the kitchen floor.
Connection to the respective appliances via network cable.
AL 400 721/AL 400 791
For operation with 4/3 Vario 200 series cooktops, 3/2 Vario 400 series cooktops or a cooktop configuration of up to 46 5/8" (120 cm)/(36 1/4" (92 cm) wide. Operation of Vario cooking appliances is only possible without appliance cover. Max. output of cooktops 61,400 BTU (18,000 W).
In combination with the cooktop CI 292, installation in 24" (60 cm) deep countertop is possible.
Installation is possible in countertops made of stone, synthetics or solid wood. Heat resistance and watertight sealing of the cut edges must be observed. Concerning other materials please consult the countertop manufacturer.
The remaining surface of the countertop 2" min. (50 mm) between the cut-outs must be reinforced with a support. It is recommended to use cabinet support AA 409 401/431.
Ovens that do not exceed the maximum allowed cabinet temperature can be combined with the retractable downdraft if built-in situation permits.
To avoid smoke when frying/grilling refer to the manuals of VR/VP.

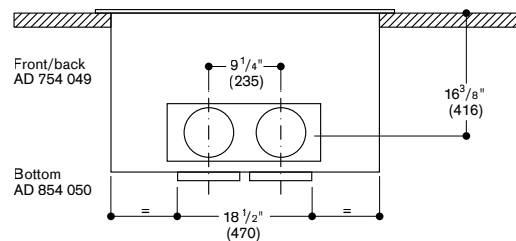
Rating

Total rating: 65 W
120 V / 60 Hz
Connecting cable 60" with plug.
Network cable 47" (1.2 m).

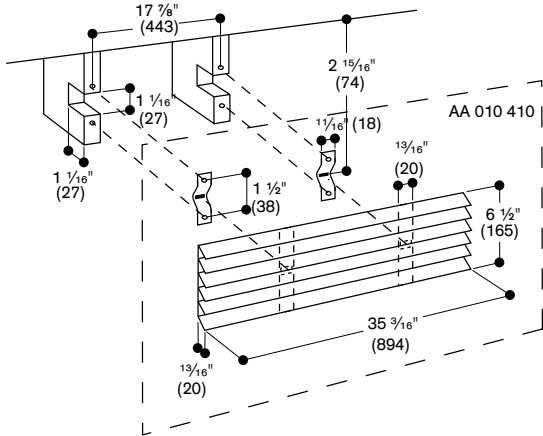


Duct connection 2 x ø 6" front/back
Round duct connection piece with AD 754 049

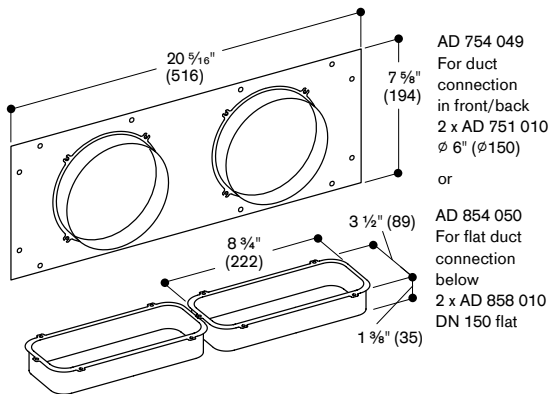
AL 400 connection positions ø 6" or flat duct DN 150



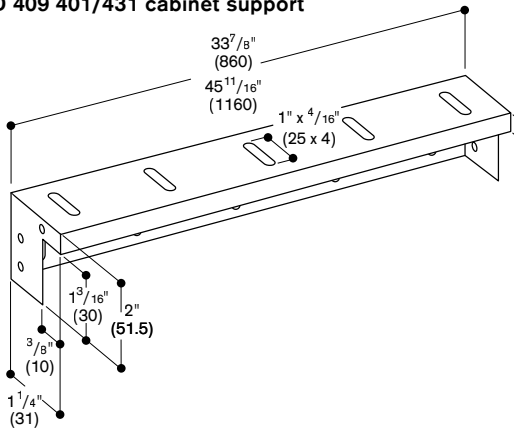
AA 010 410 air exhaust grill



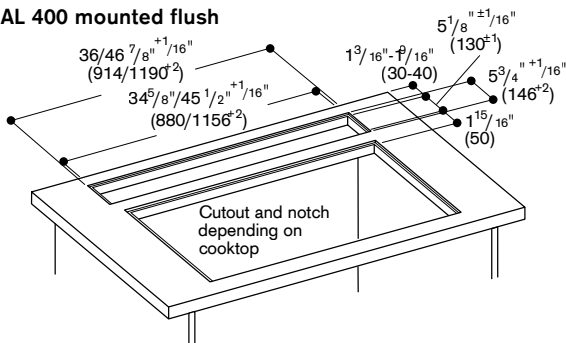
AD 754 049 and AD 854 050



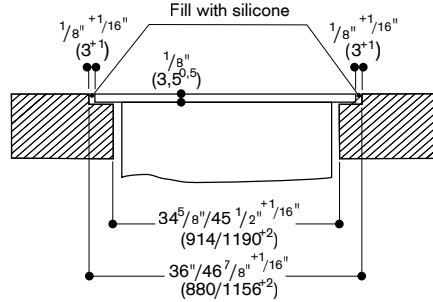
AD 409 401/431 cabinet support



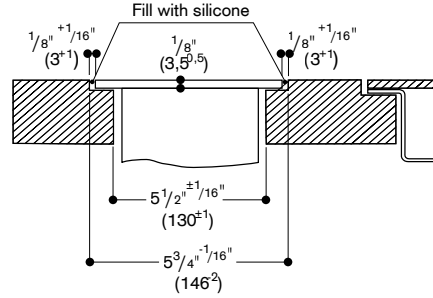
AL 400 mounted flush



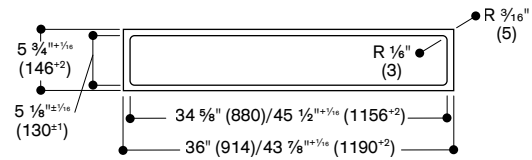
Longitudinal section



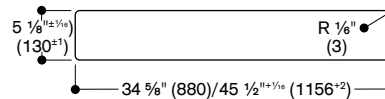
Cross-section



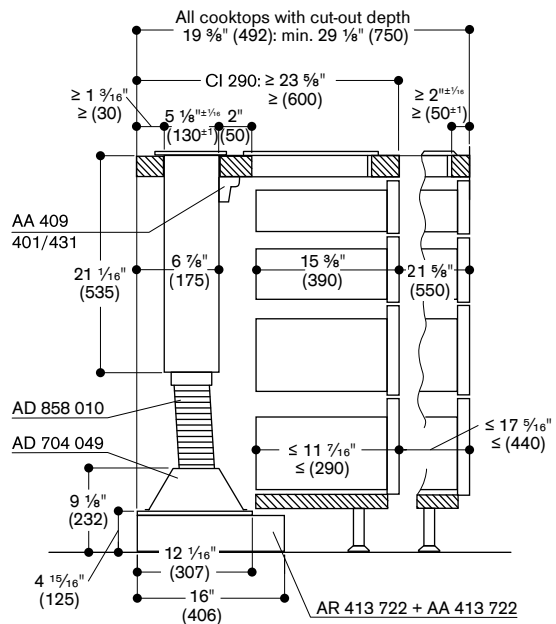
AL 400 cut-out flush mounted



AL 400 cut-out for surface mounting



Cross-section of lower cabinet for AL 400 (without back wall) with AR 413; connection at the bottom





AL 400 722

Stainless steel
Width 46 3/4" (120 cm)
Air extraction / Air recirculation
Two blowers required.

AL 400 792

Stainless steel
Width 36" (90 cm)
Air extraction / Air recirculation
Single blower required.

Necessary installation accessories

Depending on the connection option (front, back, or bottom) one of the following accessories must be ordered.

AD 754 049

Connecting piece for AL 400

Metal zinc coated

DN 150 round

AD 854 050

Connecting piece for AL 400

Metal zinc coated

DN 150 flat

Installation accessories

AA 409 401

Countertop support for AL 400 792 retractable downdraft.

AA 409 431

Countertop support for AL 400 722 retractable downdraft.

AD 704 050

Air collector box for AL 400

Metal zinc coated

DN 150 flat

Retractable downdraft

AL 400

- Extendable downdraft ventilation, when not in use can be completely lowered into the countertop
- Can be combined perfectly with all Vario cooktops 400 series
- Dimmable, neutral white surface LED light for ideal illumination of the cooktop
- Precision crafted 3 mm stainless steel
- For surface mounting with a visible edge or for flush mounting
- Motorless, to be combined with Gaggenau blower(s)

Output

Power levels depend on the blower selected.

Noise level depends on built in situation and blower(s) selection.

Features

3 electronically controlled power levels and 1 intensive mode.

Interval ventilation, 6 min.

Run-on function, 6 min.

Grease filter saturation indicator.

2 large-scale metal grease filters included, easy to remove and dishwasher-safe.

Grease drip trays, easy to remove and dishwasher-safe.

Neutral white surface LED light (3600 K), continuously dimmable.

Lamp output 2 x 10 W.

Illuminance 400 lx.

Flexible connection options to the selected blower: at the bottom, at the front or at the back.

In all the options, it is possible to have space for drawers in front of the retractable downdraft ventilation.

Planning notes

AL 400 792 : Combinable with all cooktops Vario 400 series, 400 series and 200 series. Maximum cooktops width: 36" (90 cm).

AL 400 722 : Combinable with all cooktops Vario 400 series and 400 series. Maximum cooktops width: 46 5/8" (120 cm).

It is recommended to use two inline, remote, or recirculation blower units with the AL 400 722 so that sufficient vapor capture will be ensured.

Depending on the type of installation, the corresponding accessories must be ordered separately.

Air recirculation is not recommended in combination with Vario electric grill. Operation of Vario cooking appliances only possible without appliance cover.

Max. output of cooktops 61,400 BTU (18 kW).

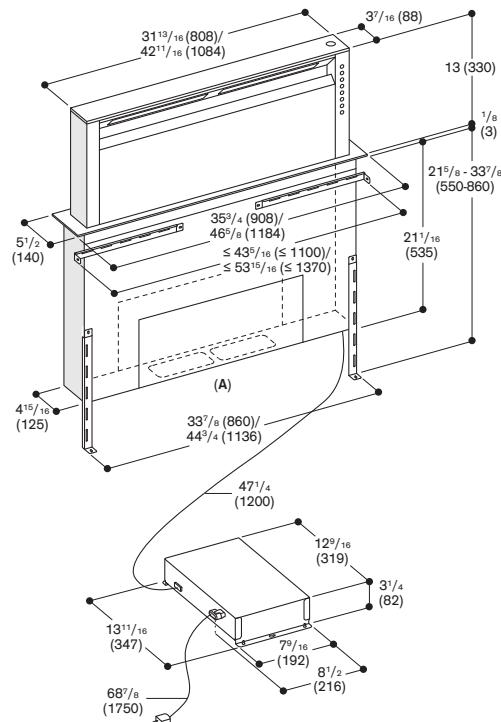
The retractable downdraft must have its own cooktop cut-out and must be 1 15/16" (50 mm) apart from the cooktop. The bearing capacity and stability, in the case of thin countertops in particular, must be supported using suitable substructures. Take into account the appliance weight and additional loads.

The remaining surface of the countertop min 1 15/16" (min. 50 mm) between the cut-outs must be reinforced with a support. It is recommended to use countertop support AA 409 401/431. Additional instructions for flush mounting: Installation is possible in countertops made of stone, synthetics or solid wood. Heat resistance and watertight sealing of the cut edges must be observed. Concerning other materials please consult the countertop manufacturer. Depending on the type of installation, ovens can be combined with the table ventilation.

The control unit should be accessible and be secured to a panel of the cabinet that avoids any risk of flooding.

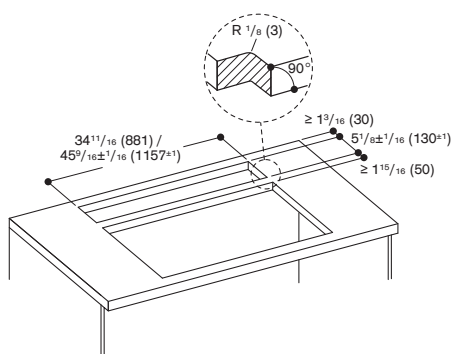
Connection

Total connected load 65 W
Connecting cable 68" (1.7 m) with NEMA 5-15P plug.
Network cable 47" (1.2 m).

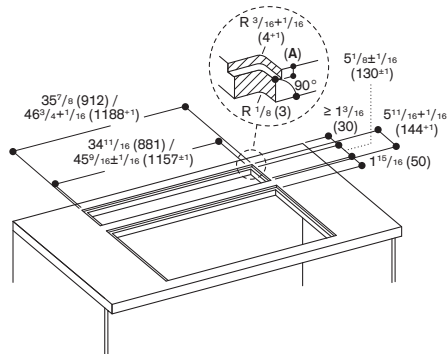


A: Flexible connection of the hood at the front, the back, or at the bottom

Surface-mount Installation

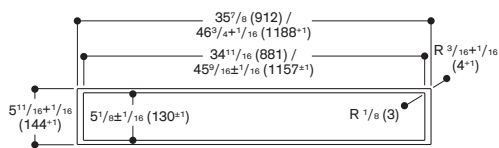


Flush-mount Installation

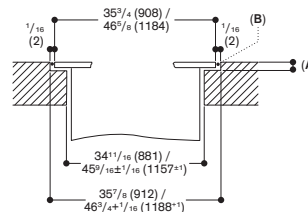


A: 1/8" (3.5^{0.5} mm)

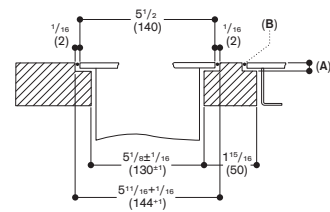
View from above



Longitudinal section



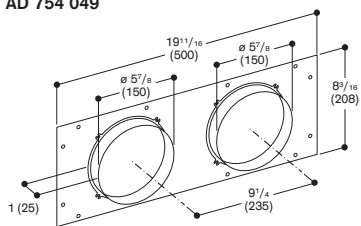
Cross-section



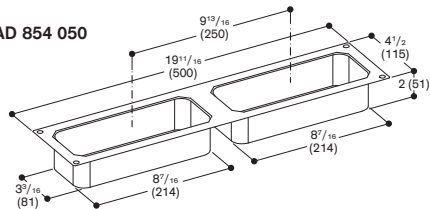
A: 1/8" (3.5^{0.5} mm)
B: Fill with silicone

A: 1/8" (3.5^{0.5} mm)
B: Fill with silicone

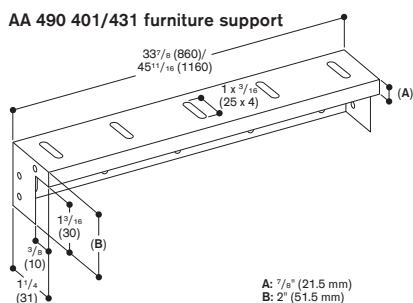
AD 754 049



AD 854 050

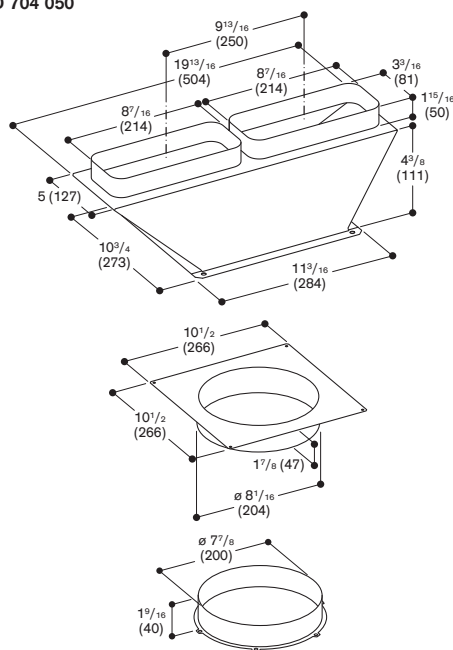


AA 490 401/431 furniture support



A: 7/8" (21.5 mm)
B: 2" (51.5 mm)

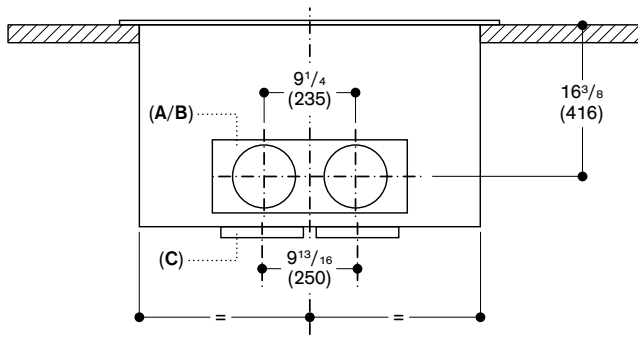
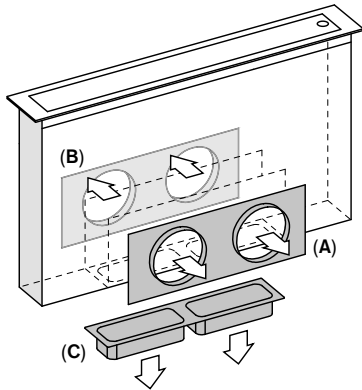
AD 704 050



Recommended configurations for retractable downdraft ventilation 400 series

Good to know – for correct planning and installation

- For depth measurements, take account of the depth of the furniture cavity and countertop overhangs of the kitchen furniture.
- The ducting can essentially be connected to the front, the back or straight down. The respective connecting pieces are available for this purpose.
- It is also important that ducting is well sealed in order to prevent air leaks, e.g. by using the adequate adhesive tape or using the adequate connecting piece.
- For the AL 400 722 it is recommended to use two inline, remote, or recirculation blower units, for sufficient vapor capture.
- Vario cooktops with intensive vapor formation like Vario Teppan Yaki or Vario electric grill should be placed central in front of the ventilation appliance.
- The use of air recirculation for the Vario electric grill is not recommended.
- The control unit should be accessible and be secured to a panel of the cabinet that avoids any risk of flooding.
- Depending on the type of installation, the corresponding accessories must be ordered separately.



- A:** Connection at the front with AD 754 049
- B:** Connection at the back with AD 754 049
- C:** Connection at the bottom with AD 854 050

Measurements in inches (mm)

Planning example 1

36" AL 400 792 with AR 403 722 (air extraction) blower

Good to know

- The air collector box can be screwed directly on the blower.
- In the example exhaust is towards the right, it is also possible to the left, please be aware that the measurements will be different.

List of components

- 1x AL 400 792
- 1x AD 854 050 (connecting pieces for flat duct downward, 2x DN 150)
- 1x AD 704 050 (air collector box for AL 400 792)
- 2x AD 858 010 (Flat duct flex pipe)
- 1 x AR 403 722 (for extraction)

Planning example 2

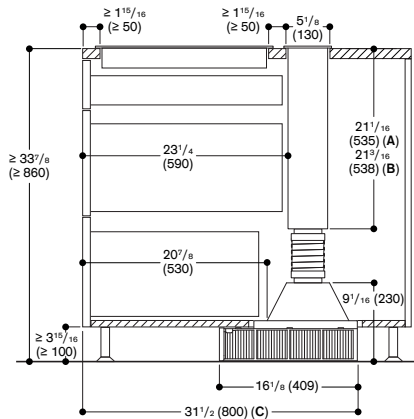
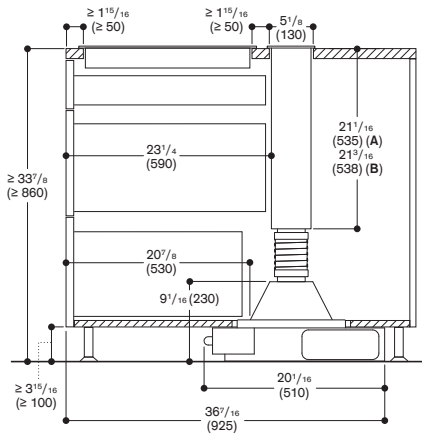
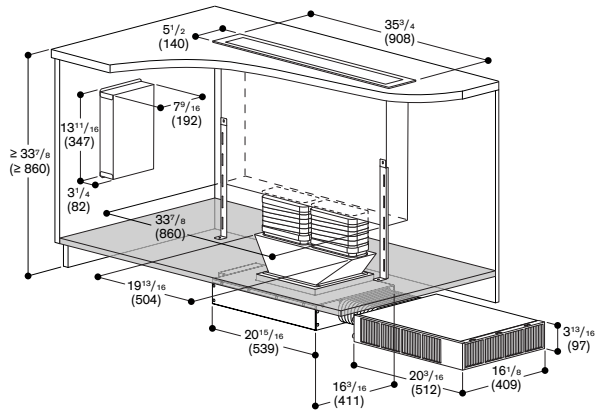
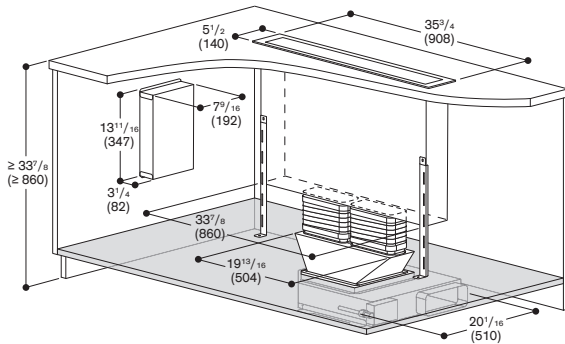
36" AL 400 792 with AR 413 722 (air recirculation) blower

Good to know

- The air collector box can be screwed directly on the blower.
- For optimum performance, the recirculated air requires sufficient space to escape in the cabinet (outflow surface area of at least 1/2 sq ft (400 cm²).
- The use of the VP 414 611 electric grill is not recommended in recirculation.

List of components

- 1x AL 400 792
- 1x AD 854 050 (connecting pieces for flat duct downward, 2x DN 150)
- 1x AD 704 050 (air collector box for AL 400 792)
- 2x AD 858 010 (Flat duct flex pipe)
- 1x recirculation blower configuration (1x AR 413 722 recirculation blower + 1x AA 413 722 air recirculation module + AD 413 722 oval flex duct)



A: Surface mounting
B: Flush mounting

Measurements in inches (mm)

A: Surface mounting
B: Flush mounting
C: 29 1/2" (750 mm) with a worktop at min. height 36 1/4" (920 mm)

Measurements in inches (mm)

Planning example 3

36" AL 400 792 with AR 403 722 (air extraction) blower

Good to know

- The blower can be connected to the front or the back.
- The air collector box can be screwed directly on the blower.
- In the example exhaust is towards to the left, it is also possible to the right, please be aware that the measurements will be different.

List of components

- 1x AL 400 792
- 1x AR 403 722 (for extraction)
- 1x AD 754 049 (connecting piece round duct to front/back)
- 2x AD 854 032 (flat duct adapter round 90°)
- 2x AD 858 010 (flat duct flex pipe)
- 1x AD 704 050 (air collector flat duct)
- 1x AD 990 091 (adhesive tape aluminum)

Planning example 4

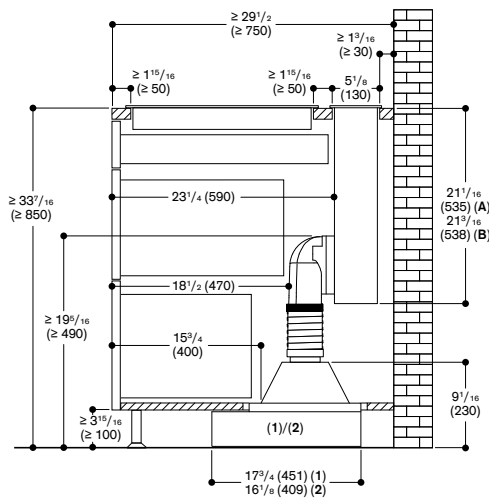
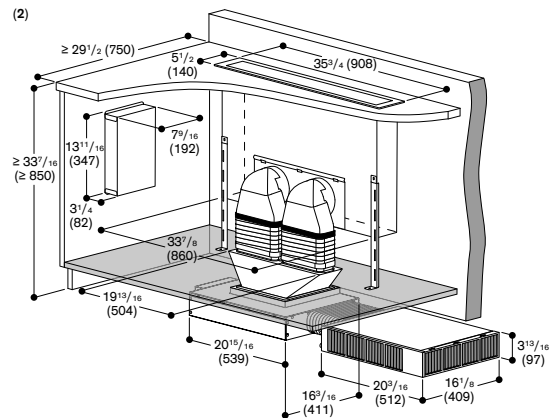
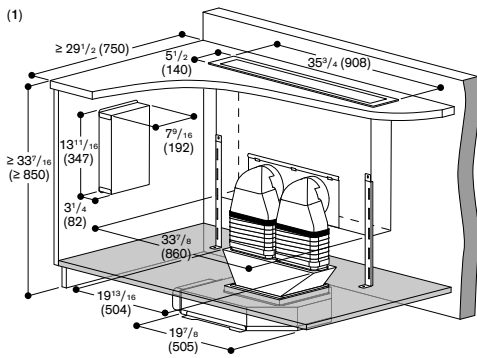
36" AL 400 792 with AR 413 722 (air recirculation) blower

Good to know

- The blower can be connected to the front or the back.
- The air collector box can be screwed directly on the blower.
- For optimum performance, the recirculated air requires sufficient space to escape (outflow surface area of at least 1/2 sq ft. (400 cm²)).
- The use of the VP 414 611 electric grill is not recommended in recirculation.

List of components

- 1x AL 400 792
- 1x AR 413 722 + AA 413 722 air recirculation module
- + 1x AD 413 722 oval flex duct (for recirculation)
- 1x AD 754 049 (connecting piece round duct to front/back)
- 2x AD 854 032 (flat duct adapter round 90°)
- 2x AD 858 010 (flat duct flex pipe)
- 1x AD 704 050 (air collector flat duct)
- 1x AD 990 091 (adhesive tape aluminum)



A: Surface mounting
B: Flush mounting

Planning with remote fan unit
1: AR 403 722
2: AR 413 722

Measurements in inches (mm)

Planning example 5
36" AL 400 792 with AR 400 742 (air extraction inline blower) -
Cellar installation

Good to know

- Depending on the distance between the AL400 and the blower you may need more flat and round ducts.

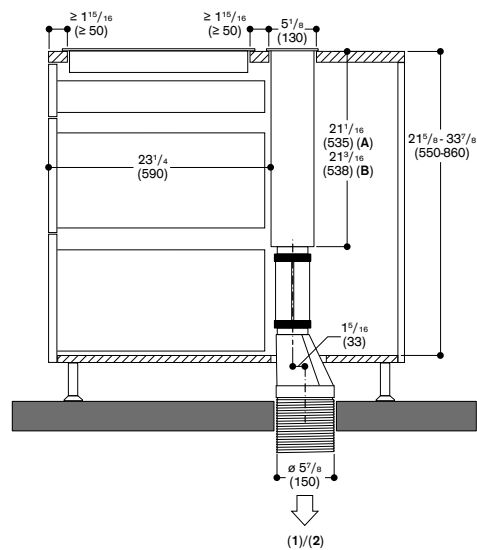
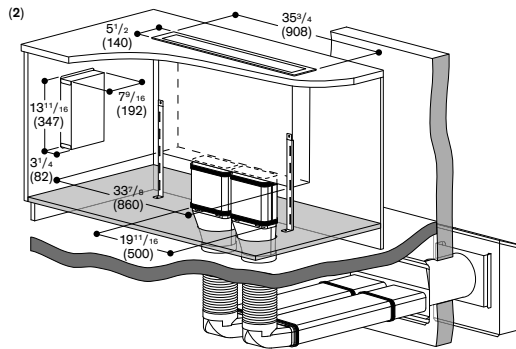
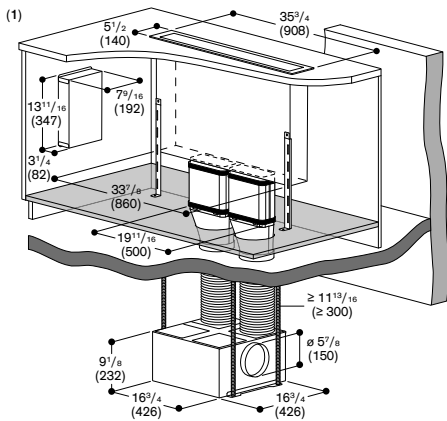
List of components

- 1x AL 400 792
- 1x AD 854 050 (connecting piece to the bottom)
- 2x AD 854 010 (flat duct, metal)
- 2x AD 854 041 (flat duct adapter round, metal)
- 1x or more AD 751 010 (aluflex pipe round) depending on distance to the cellar
- 1x AD 990 091 (adhesive tape aluminum)
- 1x AR 400 742 (inline blower)

Planning example 6
36" AL 400 792 with AR 401 742 (air extraction remote blower) -
Cellar installation with outside remote blower

List of components

- 1x AL 400 792
- 1x AD 854 050 (connecting piece to the bottom)
- 2x AD 854 041 (flat duct adapter round, metal)
- 1x AD 751 010 (aluflex pipe round)
- 2x AD 854 032 (flat duct adapter round 90°, metal)
- 1x AD 704 050 (air collector box for AL 400 792)
- 1x AD 702 052 (telescopic wall duct)
- 1x AR 401 742 (remote blowers)
- 1x AD 990 091 (adhesive tape aluminum)



Extraction mode with remote fan unit
 1: AR 400 742
 2: AR 401 742

Measurements in inches (mm)

Planning example 7

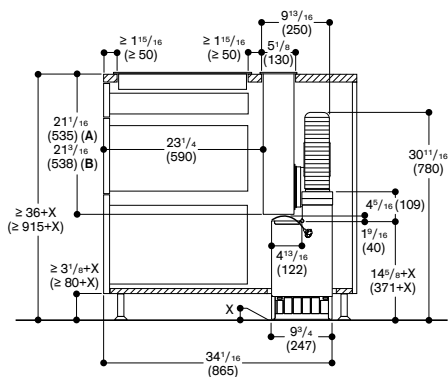
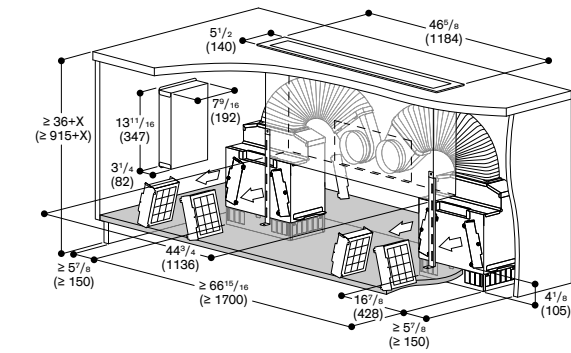
46 5/8" AL 400 722 with 2x AR 410 710 (air recirculation) blowers

Good to know

- The blowers can be connected to the front or the back.
- For optimum performance, the recirculated air requires sufficient space to escape through the cabinets (outflow surface area of at least 1 sq. ft. (800 cm²), 400 cm² for each blower unit).
- The use of the VP 414 611 electric grill is not recommended in recirculation.

List of components

- 1x AL 400 722
- 2x AR 410 710 (recirculation blower)
- 1x AD 754 049 (connecting piece round duct to front/back)
- 2x AD 854 032 (flat duct adapter round 90°)
- 2x AD 858 010 (flat duct flex pipe)
- 1x AD 990 091 (adhesive tape aluminum)



A: Surface mounting
B: Flush mounting

Measurements in mm

Planning example 8

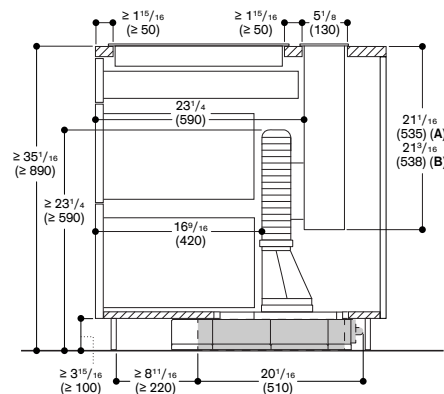
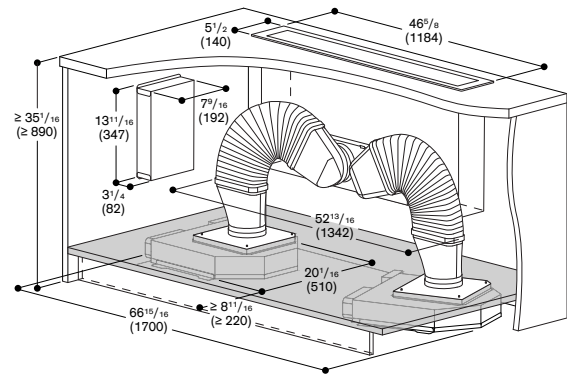
46 5/8" AL 400 722 with 2x AR 403 722 (air extraction) blowers

Good to know

- The blowers can be connected to the front or the back.
- In the example below exhaust is towards to the left, it is also possible to the right, please be aware that the measures will be different.

List of components

- 1x AL 400 722
- 2x AR 403 722 (inline blowers)
- 1x AD 754 049 (connecting piece round duct to front/back)
- 2x AD 854 032 (flat duct adapter round 90°)
- 2x AD 858 010 (flat duct flex pipe)
- 2x AD 854 041 (flat duct adapter round)
- 1x AD 990 091 (adhesive tape aluminum)



A: Surface mounting
B: Flush mounting

Measurements in mm

Planning example 9

46 5/8" AL 400 722 with 2x AR 400 742 (air extraction inline blower) -
Cellar installation

Planning example 10

46 5/8" AL 400 722 with 2x AR 401 742 (air extraction remote blower) -
Cellar installation with outside wall remote fan unit

Good to know

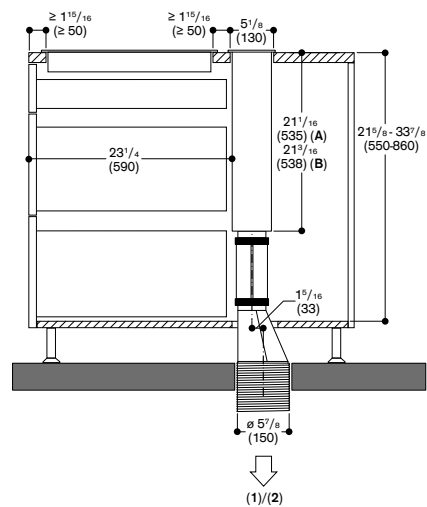
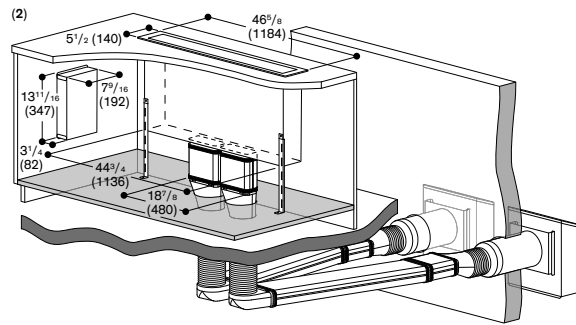
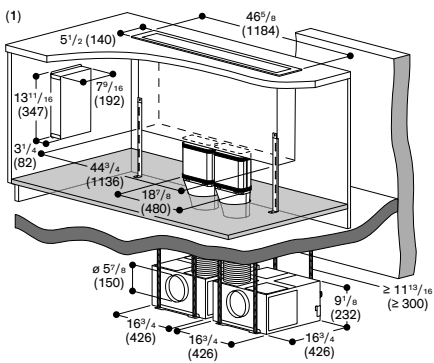
- Depending on the distance between the AL400 and the blower units you may need additional ducting.

List of components

- 1x AL 400 722
- 1x AD 854 050 (connecting piece to the bottom)
- 2x AD 854 010 (flat duct, metal)
- 2x AD 854 041 (flat duct adapter round, metal)
- 1x or more AD 751 010 (aluflex pipe round) depending on distance to the cellar
- 2x AR 400 742 (inline blower)
- 1x AD 990 091 (adhesive tape aluminum)

List of components

- 1x AL 400 722
- 1x AD 854 050 (connecting piece to the bottom)
- 4x AD 854 010 (flat duct, metal)
- 4x AD 854 041 (flat duct adapter round, metal)
- 1x AD 751 010 (aluflex pipe round) or more depending on distance to the external wall
- 2x AD 854 032 (flat duct adapter round 90°, metal)
- 2x AD 704 040 (pipe adapter DN200/150 round, metal)
- 2x AD 702 052 (telescopic wall duct)
- 2x AR 401 742 (remote blowers)
- 1x AD 990 091 (adhesive tape aluminum)



A: Surface mounting
B: Flush mounting

Extraction mode with remote fan unit
1: AR 400 742
2: AR 401 742

Measurements in inches (mm)

General ventilation planning notes

The aim of good ventilation system planning is to extract cooking vapors out of the kitchen area as completely and quickly as possible. To help you plan and install your system correctly, here are a few important notes on system planning from our ventilation experts.

The planning of a ventilation system is significantly determined by the air requirement and air output. The air requirement must be contrasted with the corresponding air output that a ventilation appliance can produce, while taking the influence of all the ventilation components involved into account.

Air requirement needed:

Please observe the local applicable building regulations when configuring ventilation solutions. The air output of a complete ventilation system must be designed according to the air requirement needed. For this, the size of the kitchen and a corresponding air change rate for the volume of space are often used as the basis for planning.

If the distance between the ventilation system and the cooktop is less than 4 feet, the factors listed below must be taken into account to ensure that most of the cooking vapors are trapped as soon as they rise from the cooktop:

- **The size and architecture of the kitchen:** As the size of the room increases, the movements of air in the room also increase and, as a result, the air requirement becomes greater.
- **The cooking appliances:** The choice of cooktop is the decisive influencing factor. Every cooktop produces different types and amounts of cooking vapors. The wider the cooktop, the higher the output of the ventilation system should be. Above all, the ventilation system must have a sufficient reserve capacity, if special Vario cooking appliances, such as a fryer, Teppan Yaki, wok or grill, are to be installed, because such appliances can be expected to produce a higher amount of cooking vapors. We therefore also recommend that these special cooking appliances are installed, if possible, in the centre of the cooktop configuration and not at the edge.
- **The type of ventilation system:** Every type of ventilation system has particular characteristics which influence the air requirement needed. Ventilation systems, such as downdraft ventilation, are characterized by extracting vapors directly from the cooktop. As they rise up, the cooking vapors can therefore not spread as far in the ambient air. In this case, the air output required is usually less than for those types of ventilation system that are 30" or further away from the cooktop.
- **The operation mode:** All Gaggenau ventilation systems can be operated both in exhaust air mode and air recirculation mode. It should be noted that, in air recirculation mode, the additional activated charcoal air filter leads to a reduction in air output in comparison to exhaust air mode. The larger the surface of the activated charcoal air filter, the more the ventilation system bears comparison in its extraction and noise behavior with an exhaust air solution. In air extraction mode, the actual air output depends not only on the blower output, but also significantly on the duct system.

Important influencing factors on the air output/CFM rate:

- The blowers: Gaggenau ventilation systems can be combined with powerful blowers for exhaust air or air recirculation mode. These blowers are also very pressure-stable. They overcome possible pressure losses caused by a ducting system and work highly effectively at a low noise level.
- Ducting and installation: To achieve optimum results, the following points should be observed during installation:
 1. Install duct bends with a minimum clearance of 12" from the exhaust air opening.
 2. Avoid reductions in cross sections.
 3. For duct bends, use bends that are as wide as possible.
 4. For longer duct runs, preferably install ducts that have a smooth and flat inner surface.
 5. Use exhaust air pipes with a diameter of at least \varnothing 5".
 6. Pay attention to the use of a short ducting path where possible.
 7. Fit wall outlets that have wide fins, wide-meshed grills and a low back-pressure.
 8. Ensure sufficient supply air.



AR 400 742
Metal housing
482 CFM
Air extraction
Inside installation

400 series inline blower AR 400

- Powerful blower to combine with 400 series ventilation systems such as AL 400 retractable downdraft, VL 414 downdraft and AW/AI 442 professional wall/island hood.
- Quiet blower with high-efficiency BLDC technology.

Output

3 performance output levels and intensive mode.
Sound power and sound pressure depending on built-in situation.
Air extraction: 482 CFM.
Power levels depend on the ventilation system.

Features

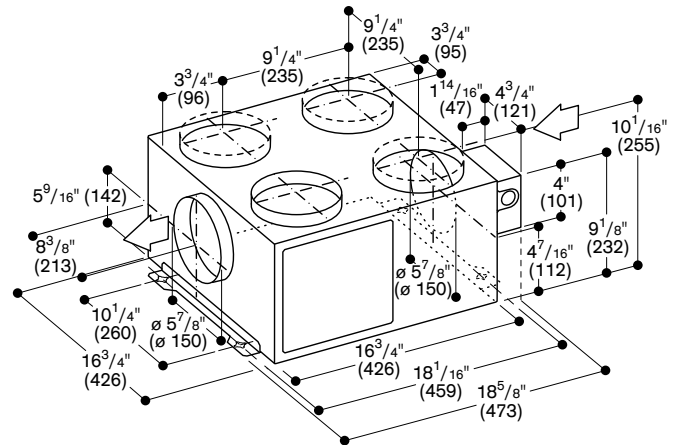
3 electronically controlled power levels and 1 intensive mode.
Blower technology with highly efficient, brushless DC motor (BLDC).
Metal housing, zinc-plated.
Duct connection pieces on air intake side: 1x \varnothing 6" round, 4x \varnothing 6" round.
Duct connection piece on output side: 1x \varnothing 6" round.
Spare cover for closing an air intake is included.
Retaining bracket for ceiling installation or installation on the inner side of a cabinetry is included.

Planning notes

AR400742 inline blower can only be combined with 400 series ventilation systems such as AL 400 retractable downdraft, VL 414 downdraft and AW/AI 442 professional wall/island hood.
Connection to the respective appliances via network cable.
Installation in the base cabinet: possible in areas with two cabinet drawers or on the floor with a cut-out in the base cabinet. Panel-free toe-kick possible.
Installation in a separate room, attic or crawl space allows for a reduced noise level in the kitchen.

Rating

Total rating: 210 W.
Total Amps: 2 A.
120 V / 60 Hz
Connecting cable not included.
Hard wire required.
16" network cable included.



5x \varnothing 6" (\varnothing 150)
2 connecting pieces included



Controls at the bottom

Right-hinged

BM 484 710

Stainless steel-backed full glass door
Width 30" (76 cm)

Left-hinged

BM 485 710

Stainless steel-backed full glass door
Width 30" (76 cm)

Included accessories

- 1 combination wire rack
- 1 glass tray

400 series Combi-microwave oven BM 484/BM 485

- Handleless door/automatic door opening
- Single operation and combination of microwave, grill and oven
- Sequential operation of up to five modes including programming of combined operation and rest time
- TFT touch display
- Centralized controls for easy use and intuitive operation
- Electronic temperature control
- Net volume 1.3 cu.ft.

Cooking modes and programs

Microwave operation with 5 output levels: 1000, 600, 360, 180, 90 W.

Oven operation with 4 heating modes:

- Convection at 100°F and from 210°F - 480°F.
- Broil + convection from 210°F - 480°F.
- Broil + circulated air 210°F - 480°F.
- Broil with 3 levels of intensity, maximum output of 2000 W.

Heating modes with microwave output levels 600, 360, 180 and 90 W, freely combinable.

15 automatic programs with weight indication, customizable:

- 4 defrosting programs.
- 4 cooking programs.
- 7 combination programs.

Option to save individual recipes.

Sabbath mode with constant temperature of 185°F.

Operation

Automatic door opening.

Rotary knobs and TFT touch display operation.

Clear text display in 25 languages.

Information key with use indicators.

Side-opening door opens up to 180° angle.

Features

Innowave.

Fast heating setting.

4 rack levels.

Actual temperature display.

2x 60 W halogen light (one on each side).

Safety

Thermally insulated door with triple glazing.

Triple door lock.

Child lock.

Safety shut-off.

Cooled housing with temperature protection.

Cleaning

Hygienic stainless steel interior with glass ceramic base.

Interior back wall with catalytic coating.

Planning notes

Door hinge not reversible.

Plan the cut-out without back wall.

The front of the appliance extends 1 7/8" from the cabinet front.

Consider the overhang when planning to open drawers next to the appliance.

When planning a corner solution, pay attention to the 110° door opening angle.

The electrical outlet needs to be planned outside of the cut-out. The Combi-microwave oven may not be installed less than 36" (916 mm) from the floor in Canada.

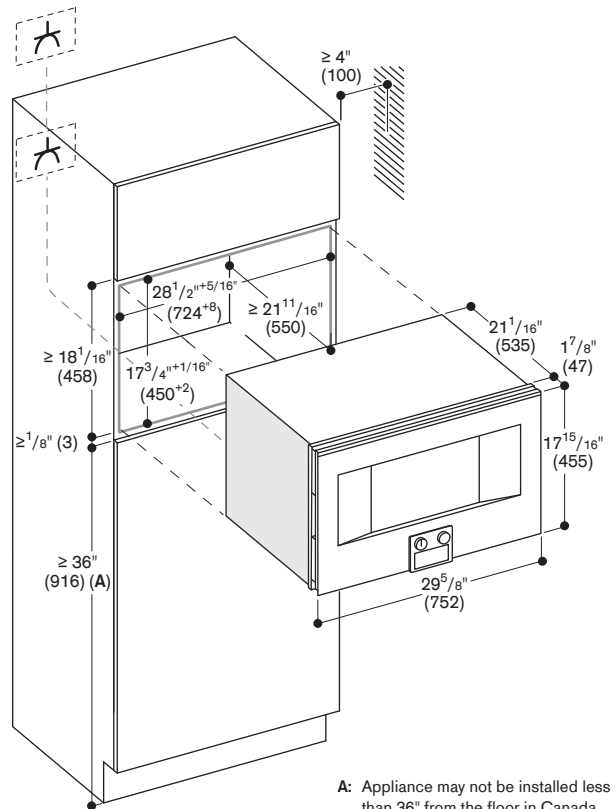
Rating

Total rating 3,100 W.

Total Amps: 20 A (Double pole 20 amp breaker required).

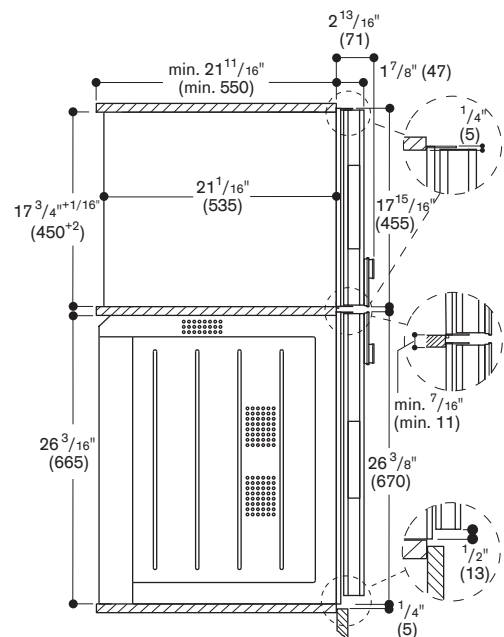
120/208 - 240V, 60Hz (4 Wire)

Plan for a 71" connection cable without a plug (hardwire required).



A: Appliance may not be installed less than 36" from the floor in Canada.
⊕ Outlet

Side view of BM 484/485 over BO oven



Numbers indicated inside parenthesis () = mm

www.gaggenau.com/us
Revised: August 2022





Controls on top

Right-hinged

BO 480 613

Stainless steel-backed full glass door
Width 30" (76 cm)

Left-hinged

BO 481 613

Stainless steel-backed full glass door
Width 30" (76 cm)

Included accessories

- 1 baking tray, pyrolysis-safe enamel
- 1 rotisserie spit
- 1 wire rack
- 1 broiling tray with wire rack
- 1 plug-in core temperature probe

Optional accessories

BA 018 165

Pull-out system

Fully extendable telescopic rails and enameled cast iron frame.

BA 028 115

Baking tray, enameled

1" deep.

BA 038 165

Wire rack, chromium-plated

Without opening, with feet.

BA 058 115

Heating element for baking stone and Gastronorm roaster

BA 058 133

Baking stone

Incl. baking stone support and pizza peel (heating element must be ordered separately). Cannot be used in combination with pull-out system.

BS 020 002

Pizza peel, additional set of 2.

GN 340 230

Gastronorm roaster in cast aluminum.

GN 2/3, height 4", with 2 1/2" lid non-stick.



400 series oven

BO 480/BO 481

- Handleless door / automatic door opening / door opening via voice assistant possible.
- Pyrolysis system
- 17 heating methods, with rotisserie spit, roaster and baking stone function
- Automatic programs
- Core temperature probe with estimation of cooking time
- TFT touch display
- Electronic temperature control from 85° F to 550° F
- Net volume 4.5 cu.ft.
- Star-K certified.

Cooking modes

Convection.

Economy convection.

Top + bottom heat.

Top + 1/3 bottom heat.

Top heat.

1/3 top + bottom heat.

Bottom heat.

Convection + bottom heat.

Convection + 1/3 bottom heat.

Broil + circulated air.

Broil.

Economy broil.

Baking stone function.

Roaster function.

Dough proofing.

Defrosting.

Keeping warm.

Operation

Automatic door opening.

Rotary knob and TFT touch display operation.

Clear text display in 44 languages.

Option to save individual recipes (incl. core temperature probe).

Personalization of automatic programs.

Information key with use indicators.

Side-opening door opens up to 180° angle.

Features

Three-point core temperature probe with automatic shut-off and estimation of cooking time.

Automatic programs.

Rotisserie spit.

Outlet for optional additional heating element used for baking stone or gastronorm roaster function.

Actual temperature display.

Super-quick preheating.

Timer functions: cooking time, cooking-time end, timer, stop watch, long-term timer (Sabbath mode).

60 W halogen light on the top.

2x 10 W halogen light (one on each side).

Enameled side rack supports with 5 rack levels, pyrolysis-safe.

Home network integration for digital services (Home Connect) either via cable connection LAN (recommended) or wireless via WiFi.

The use of Home Connect functionality depends on the Home Connect Services, which are not available in every country. For further information please check: home-connect.com.

Safety

Thermally insulated door with quadruple glazing.

Child lock.

Safety shut-off.

Cooled housing with temperature protection.

Cleaning

Pyrolysis system.

Gaggenau enamel.

Heated catalyzer to clean the oven air.

Planning notes

Door hinge not reversible.

The front of the appliance extends 1 7/8" from the cabinet front.

Consider the overhang when planning to open drawers next to the appliance.

When planning a corner solution, pay attention to the 90° door opening angle.

Plan a gap of at least 3/16" between the appliance and adjacent cabinets.

To achieve the 21 5/8" installation depth, the connecting cable needs to follow the slanted edge on the lower right hand corner of the housing.

Locate electrical box in cabinet above unit.

The LAN port can be found at the back on the upper right side.

Rating

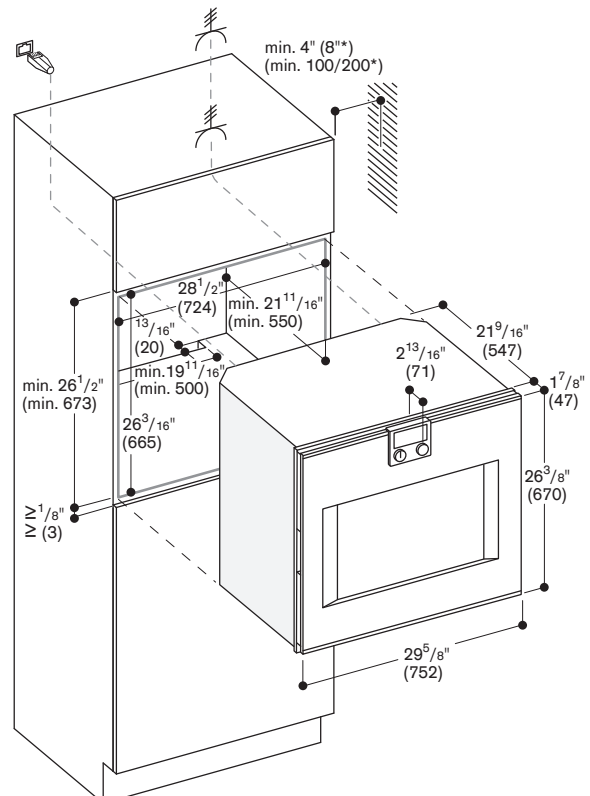
Total rating: 5,500 W.

Total Amps: 25 A.

120/208 - 240V, 60Hz (4 Wire)

Plan for a 47 1/4" connecting cable (hardwire required).

Plan for a LAN cable or connect via WiFi.



* 8" (200 mm) clearance needed when using the pull-out system accessory BA 018 165

Numbers indicated
inside parenthesis () = mm

www.gaggenau.com/us
Revised: August 2022

T30IR905SP

30-INCH BUILT-IN FRESH FOOD COLUMN

FREEDOM® COLLECTION, PANEL-READY



FEATURES & BENEFITS

- Full Stainless Steel Inner Liner
- Freedom® Hinge enables true flush design
- Auto Door Opening provides the opening of the door with just a slight push or pull
- ThermaFresh System, Humidity and Temperature controlled drawers
- SoftClose® Drawers for easy and controlled storage
- Sleek clean design for the perfect symmetry when paired with additional columns
- TFT control panel managing all your columns functions

TEMPERATURE RANGES

Refrigerator	36°F (2°C) to 46°F (8°C)
Temperature Controlled Drawer	30°F (-1°C) to 38°F (3°C)
SuperCool	36°F (2°C) for approximately 6 hours
Energy Saving (Economy) Mode	43°F (6°C)

GENERAL PROPERTIES

Home Connect™ (Wi-Fi Enabled)	Yes
Panel Ready	Yes
Reversible Door Swing	Yes
SoftClose® Door	Yes
SoftClose® Drawers	Yes
Carbon Air Filter	Yes
Lighting	LED Sidewall and Theater Lighting
Refrigerator Shelves	4
Adjustable Shelves	3
Shelf Material	Glass w/Aluminum Profile
Full Extension Drawers @ 115° Door Opening Angle	Yes
Full Extension Drawers @ 90° Door Opening Angle	Yes
General Use Drawer	1
Humidity Managed Drawer	1
Temperature Controlled Drawer	1
Door Bins	3
Gallon Door Bins	1
Door Open Alarm	Yes
Open Door Assist	Yes
Special Modes	Sabbath, Economy, Vacation

CAPACITY

Total Capacity (cu. ft.)	16.8 cu. ft.
--------------------------	--------------

PERFORMANCE

Dedicated Evaporator & Compressor System	Yes
Freeflow® Cold Air System	Yes
SuperCool	Yes

TECHNICAL DETAILS

Watts (W)	350 W
Current (A)	15 A
Volts (V)	110-120 V
Frequency (Hz)	60 Hz
Power Cord Length (in.)	118
Plug Type	120V-3 Prong

DIMENSIONS & WEIGHT

Appliance Dimensions (H x W x D) (in.)	83 3/4"* x 29 3/4" x 24"
Required Cutout Size (H x W x D) (in.)	84" x 30" x 25"
Net / Gross Weight (lbs)	366 / 403 lbs

EFFICIENCY

ENERGY STAR® Certified	Yes
Annual Energy Consumption	279 kWh

*Height adjustable + / -1/2" (+ / -13 mm)

T30IR905SP

30-INCH BUILT-IN FRESH FOOD COLUMN

FREEDOM® COLLECTION, PANEL-READY

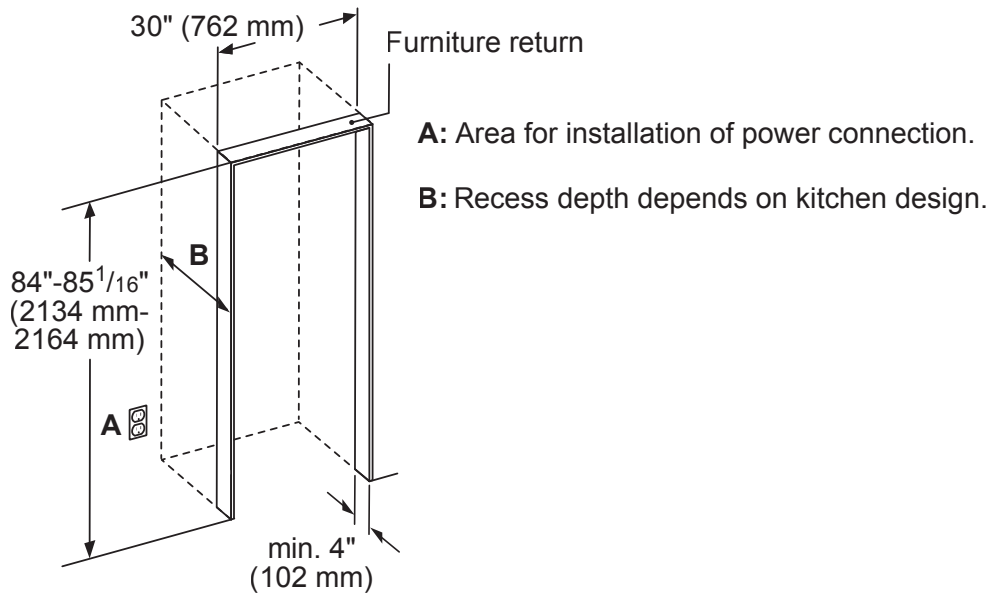


WARRANTY

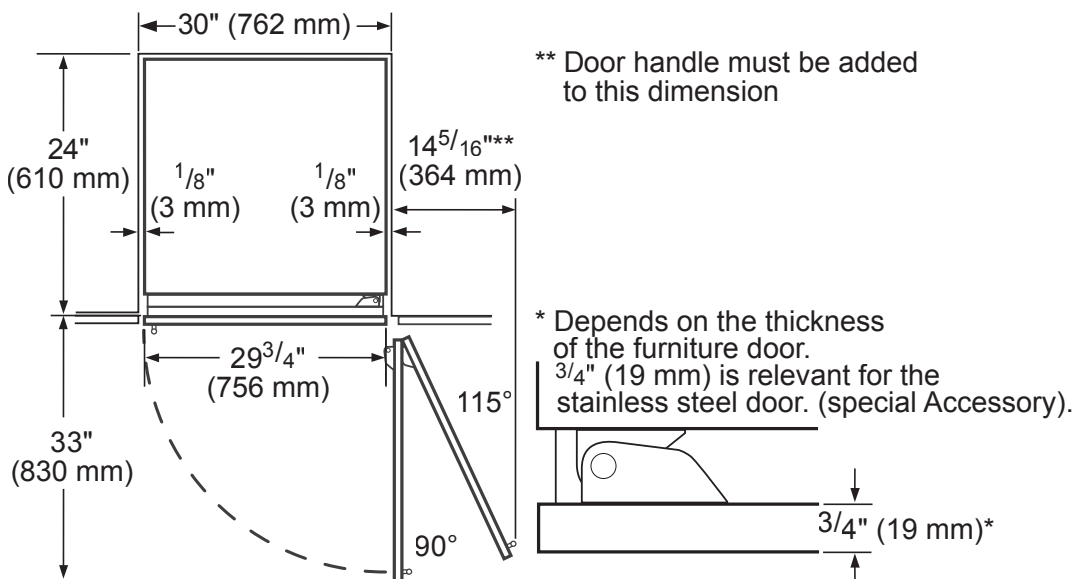
Limited, Entire Appliance, Parts and Labor on Any Part of the Refrigerator that Fails Because of a Manufacturing Defect	2 Year
Limited Warranty for Sealed Refrigeration System*; Parts and Labor	3rd to 6th Year
Limited Warranty for Sealed Refrigeration System*; Parts Only	7th to 12th Year
Limited Warranty for Stainless Steel Rust-Through	Lifetime

*Sealed refrigeration system includes compressor, evaporator, condenser, dryer / strainer and connection tubing

CUTOUT DIMENSIONS



TOP VIEW CLEARANCE



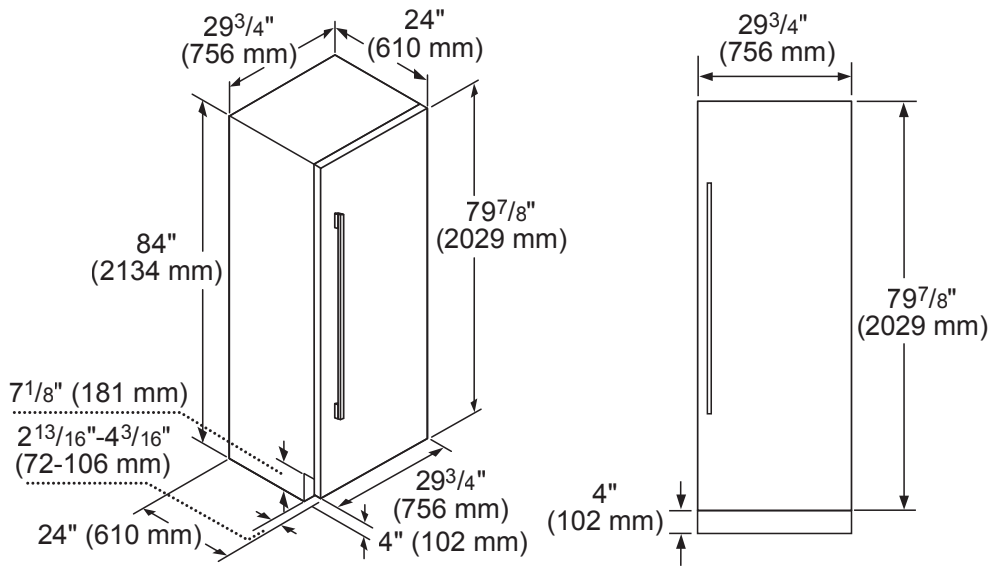
T30IR905SP

30-INCH BUILT-IN FRESH FOOD COLUMN

FREEDOM® COLLECTION, PANEL-READY



PRODUCT AND PANEL DIMENSIONS



ACCESSORIES (OPTIONAL)

FLAT STAINLESS STEEL DOOR PANELS

30-Inch Flat Stainless Steel Door Panel



TFL30IR800
For use with Handle
TFL30IR905
Handleless

HANDLES

Choose between two options:



PR36HNDL20
36-Inch Professional Series Handle

or

MS36HNDL20
36-Inch Masterpiece® Series Handle

STORAGE



LPRODBIN10
Large Produce Bin



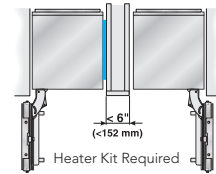
30PRODRAIL
30-Inch Produce Railing



30HFGALBIN
30-Inch Half Gallon Bin

FRAMEKIT10

Freedom® Frame Kit
For any custom column installation in 24-inch deep cutouts. With two metal side trims whose placement between the interior cutout wall and the appliance helps overcome the challenge of unfinished cabinet returns.



HEATKIT20 - 13W @ 120V

Freedom® Heater Kit
When two appliances are installed side-by-side a sealing kit must be used. For combinations that involve a freezer column, this sealing kit is included. For all other (non-traditional, i.e. two wine columns, two bottom freezers, etc.) side-by-side combinations or instances where any appliances are installed less than 6-inches (152 mm) apart from one another but not connected side-by-side, purchase this kit. This kit is recommended for use with any installation in areas that are subject to humidity, or located next to an outside wall.

These warranties give you specific legal rights and you may have other rights that vary from state to state. Limited warranty from date of purchase. For complete warranty details, refer to your Use & Care manual, or ask your dealer.

Specifications are for planning purposes only. Refer to installation instructions and consult your countertop supplier prior to making counter opening. Consult with a heating and ventilation engineer for your specific ventilation requirements. For the most detailed information, refer to installation instructions accompanying product or write to Thermador indicating the model number. Specifications are correct at time of printing. Thermador reserves the right to change product specifications or design without notice. Some models are certified for use in Canada. Thermador is not responsible for products that are transported from the U.S. for use in Canada.

T18IF905SP

18-INCH BUILT-IN FREEZER COLUMN WITH INTERNAL ICE MAKER

FREEDOM® COLLECTION, PANEL-READY



FEATURES & BENEFITS

- Full Stainless Steel Inner Liner
- Freedom® Hinge enables true flush design
- Auto Door Opening provides the opening of the door with just a slight push or pull
- Energy Efficient Diamond Ice made with twist tray technology
- Smooth Filtered Lighting for clear and easy viewing of all product
- SoftClose® Drawers for easy and controlled storage
- Sleek clean design for the perfect symmetry when paired with additional columns
- TFT control panel managing all your columns functions

TEMPERATURE RANGES

Freezer	-11°F (-24°C) to 7°F (-14°C)
SuperFreeze®	-22°F (-30°C) for approximately 52 hours
Energy Saving (Economy) Mode	3°F (-16°C)

GENERAL PROPERTIES

Home Connect™ (Wi-Fi Enabled)	Yes
Panel Ready	Yes
Reversible Door Swing	Yes
SoftClose® Door	Yes*
SoftClose® Drawers	Yes
Lighting	LED Sidewall and Theater Lighting
Freezer Shelves	4
Adjustable Shelves	3
Shelf Material	Glass w/Aluminum Profile
Full Extension Drawers @ 115° Door Opening Angle	Yes
General Use Drawer	2
Door Bins	4
External LED Proximity Sensor	No
Oversized Dispenser Opening	No
Chilled Water, Crushed and Cubed Ice	No
Rapid Water Replenishment System	No
Ice Maker with Diamond Ice System	Yes
Door Open Alarm	Yes
Open Door Assist	Yes
Special Modes	Sabbath, Economy, Vacation

CAPACITY

Total Capacity (cu. ft.)	8.6 cu. ft.
--------------------------	-------------

PERFORMANCE

Dedicated Evaporator & Compressor System	Yes
SuperFreeze®	Yes
Defrost Process	Frost-Free

TECHNICAL DETAILS

Watts (W)	350 W
Current (A)	15 A
Volts (V)	110-120 V
Frequency (Hz)	60 Hz
Power Cord Length (in.)	118
Plug Type	120V-3 Prong

DIMENSIONS & WEIGHT

Appliance Dimensions (H x W x D) (in.)	83 3/4"*** x 17 3/4" x 24"
Required Cutout Size (H x W x D) (in.)	84" x 18" x 25"
Net / Gross Weight (lbs)	273 / 302 lbs

EFFICIENCY

ENERGY STAR® Qualified	Yes
Annual Energy Consumption	404 kWh

*To verify if you have a refrigeration unit with Soft-Close capability please contact our customer team by calling 1-800-735-4328.
 **Height adjustable + / -1/2" (+ / -13 mm)

T18IF905SP

18-INCH BUILT-IN FREEZER COLUMN WITH INTERNAL ICE MAKER

FREEDOM® COLLECTION, PANEL-READY

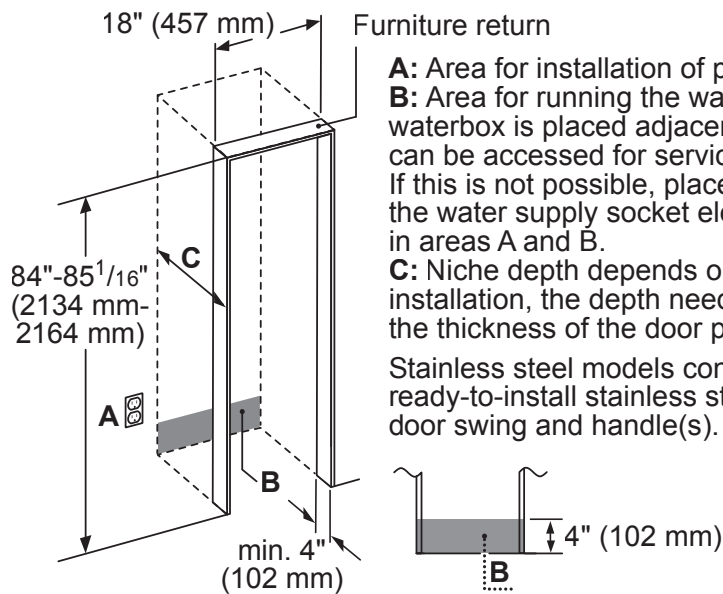


WARRANTY

Limited, Entire Appliance, Parts and Labor on Any Part of the Refrigerator that Fails Because of a Manufacturing Defect	2 Year
Limited Warranty for Sealed Refrigeration System*; Parts and Labor	3rd to 6th Year
Limited Warranty for Sealed Refrigeration System*; Parts Only	7th to 12th Year
Limited Warranty for Stainless Steel Rust-Through	Lifetime

*Sealed refrigeration system includes compressor, evaporator, condenser, dryer / strainer and connection tubing

CUTOUT DIMENSIONS



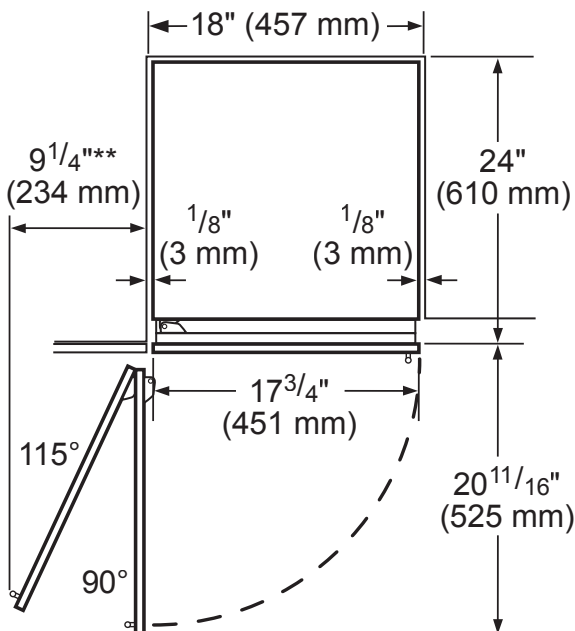
A: Area for installation of power connection.

B: Area for running the water line. It is recommended that the waterbox is placed adjacent to the installation cavity, so that it can be accessed for service without uninstalling the appliance. If this is not possible, place the recessed waterbox adjacent to the water supply socket elevated at the heights as referenced in areas A and B.

C: Niche depth depends on kitchen design. For a flush installation, the depth needs to be at least 24 inches plus the thickness of the door panel.

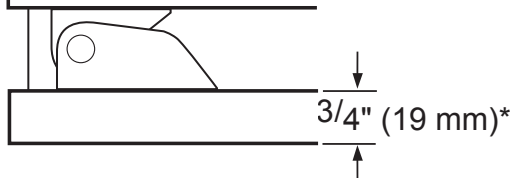
Stainless steel models contain a panel-ready base unit, ready-to-install stainless steel door(s) with a right or left door swing and handle(s).

TOP VIEW CLEARANCE



** Door handle must be added to this dimension

* Depends on the thickness of the furniture door. 3/4" (19 mm) is relevant for the stainless steel door. (special Accessory).



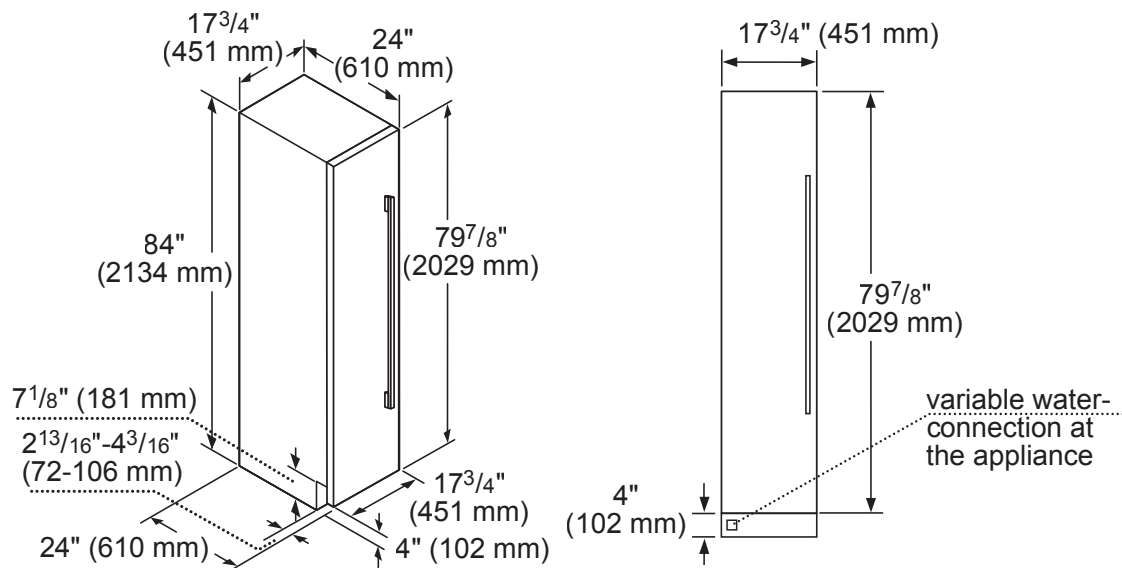
T18IF905SP

18-INCH BUILT-IN FREEZER COLUMN WITH INTERNAL ICE MAKER

FREEDOM® COLLECTION, PANEL-READY



PRODUCT AND PANEL DIMENSIONS



ACCESSORIES (OPTIONAL)

FLAT STAINLESS STEEL DOOR PANELS

18-Inch Flat Stainless Steel Door Panel



TFL18IR800

For use with Handle

TFL18IR905

Handleless

NOTE: Handleless Panels should not be installed on units without the Soft-Close capability. If you are uncertain if you have a refrigeration unit with Soft-Close capability please contact our customer team by calling 1-800-735-4328.

HANDLES

Choose between two options:



PR36HNDL20

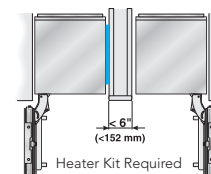
36-Inch Professional Series Handle

or



MS36HNDL20

36-Inch Masterpiece® Series Handle



HEATRKIT20 – 13W @ 120V

Freedom® Heater Kit

When two appliances are installed side-by-side a sealing kit must be used. For combinations that involve a freezer column, this sealing kit is included. For all other (non-traditional, i.e. two wine columns, two bottom freezers, etc.) side-by-side combinations or instances where any appliances are installed less than 6-inches (152 mm) apart from one another but not connected side-by-side, purchase this kit. This kit is recommended for use with any installation in areas that are subject to humidity, or located next to an outside wall.

STORAGE



ICEBUCKETL

Large Ice Bucket

FILTERS



REPLFLTR55

Freedom® Water Filter Replacement water filter for use in all freezer and bottom freezer models

FRAMEKIT10

Freedom® Frame Kit

For any custom column installation in 24-inch deep cutouts. With two metal side trims whose placement between the interior cutout wall and the appliance helps overcome the challenge of unfinished cabinet returns.

These warranties give you specific legal rights and you may have other rights that vary from state to state. Limited warranty from date of purchase. For complete warranty details, refer to your Use & Care manual, or ask your dealer.

Specifications are for planning purposes only. Refer to installation instructions and consult your countertop supplier prior to making counter opening. Consult with a heating and ventilation engineer for your specific ventilation requirements. For the most detailed information, refer to installation instructions accompanying product or write to Thermador indicating the model number. Specifications are correct at time of printing. Thermador reserves the right to change product specifications or design without notice. Some models are certified for use in Canada. Thermador is not responsible for products that are transported from the U.S. for use in Canada.

T24IW905SP

24-INCH BUILT-IN WINE PRESERVATION COLUMN

FREEDOM® COLLECTION, PANEL-READY



FEATURES & BENEFITS

- Freedom® Hinge enables true flush design
- Auto Door Opening provides the opening of the door with just a slight push or pull
- Three Independent Temperature Zones for your complete collection
- Smooth Filtered Lighting for clear and easy viewing of all product
- TFT control panel managing all your columns functions
- Sleek clean design for the perfect symmetry when paired with additional columns

GENERAL PROPERTIES

Home Connect™ (Wi-Fi Enabled)	Yes
Panel Ready	Yes
Reversible Door Swing	Yes
SoftClose® Door	Yes
Carbon Air Filter	Yes
Lighting	LED Sidewall and Theater Lighting
Number of Shelves	10 (an Additional Shelf can be Added for Maximum Capacity; Order T24WINERK1)
Number of Slide-out Shelves	8
Shelf Material	Wenge Wood / Aluminum Frame
Full Extension Drawers @ 115° Door Opening Angle	Yes
Full Extension Drawers @ 90° Door Opening Angle	Yes
Presenter Shelf with Light	Yes
Portable Aluminum Wine Presenter	Yes
Type of Glass Door	Tempered and UV-protective
Number of Temperature Zones	3
Door Open Alarm	Yes
Open Door Assist	Yes
Special Modes	Sabbath, Economy, Vacation

CAPACITY

Bottle Capacity (750 ml)	92
Bottle Capacity (750 ml) with Additional Accessory Shelf (Sold Separately)	99

TEMPERATURE RANGES

Zone 1 (Upper Zone)	41°F (5°C) to 68°F (20°C)
Zone 2 (Middle Zone)	41°F (5°C) to 68°F (20°C)
Zone 3 (Lower Zone)	41°F (5°C) to 68°F (20°C)

TECHNICAL DETAILS

Watts (W)	350 W
Current (A)	15 A
Volts (V)	110-120 V
Frequency (Hz)	60 Hz
Power Cord Length (in.)	118
Plug Type	120V-3 Prong

DIMENSIONS & WEIGHT

Appliance Dimensions (H x W x D) (in.)	83 3/4"* x 23 3/4" x 24"
Required Cutout Size (H x W x D) (in.)	84" x 24" x 25"
Net / Gross Weight (lbs)	344 / 366 lbs

EFFICIENCY

ENERGY STAR® Certified	No
Annual Energy Consumption	179 kWh

*Height adjustable + / -1/2" (+ / -13 mm)

T24IW905SP

24-INCH BUILT-IN WINE PRESERVATION COLUMN

FREEDOM® COLLECTION, PANEL-READY

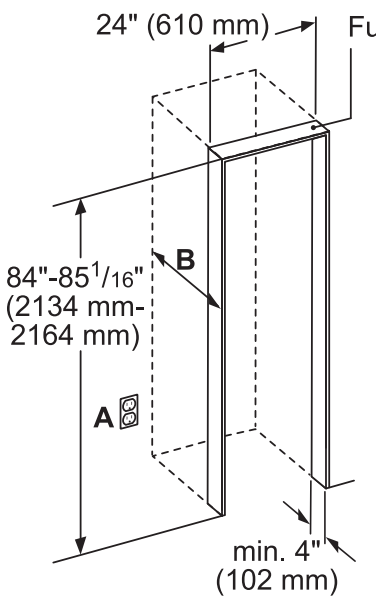


WARRANTY

Limited, Entire Appliance, Parts and Labor on Any Part of the Refrigerator that Fails Because of a Manufacturing Defect	2 Year
Limited Warranty for Sealed Refrigeration System*; Parts and Labor	3rd to 6th Year
Limited Warranty for Sealed Refrigeration System*; Parts Only	7th to 12th Year
Limited Warranty for Stainless Steel Rust-Through	Lifetime

*Sealed refrigeration system includes compressor, evaporator, condenser, dryer / strainer and connection tubing

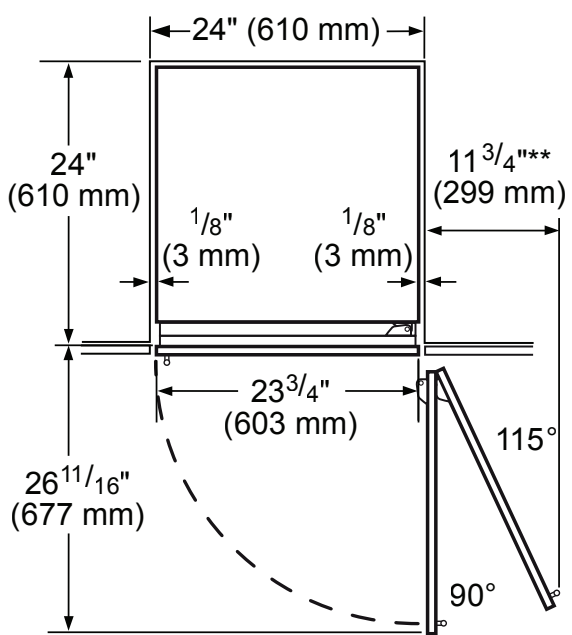
CUTOUT DIMENSIONS



A: Area for installation of power connection.

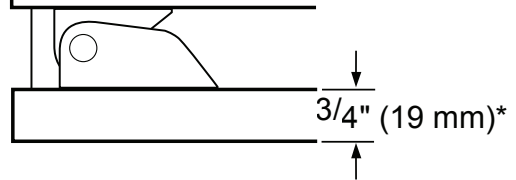
B: Recess depth depends on kitchen design. For a flush installation, the depth needs to be at least 24 inches plus the thickness of the door panel. Panel dimensions based on a standard 1/8" reveal and 4 inch toe kick. Custom panel dimensions may vary depending on kitchen reveals and toe kick. Stainless steel models contain a panel-ready base unit, ready-to-install stainless steel door(s) with a right or left door swing and handle(s).

TOP VIEW CLEARANCE



** Door handle must be added to this dimension

* Depends on the thickness of the furniture door. 3/4" (19 mm) is relevant for the stainless steel door. (special Accessory).



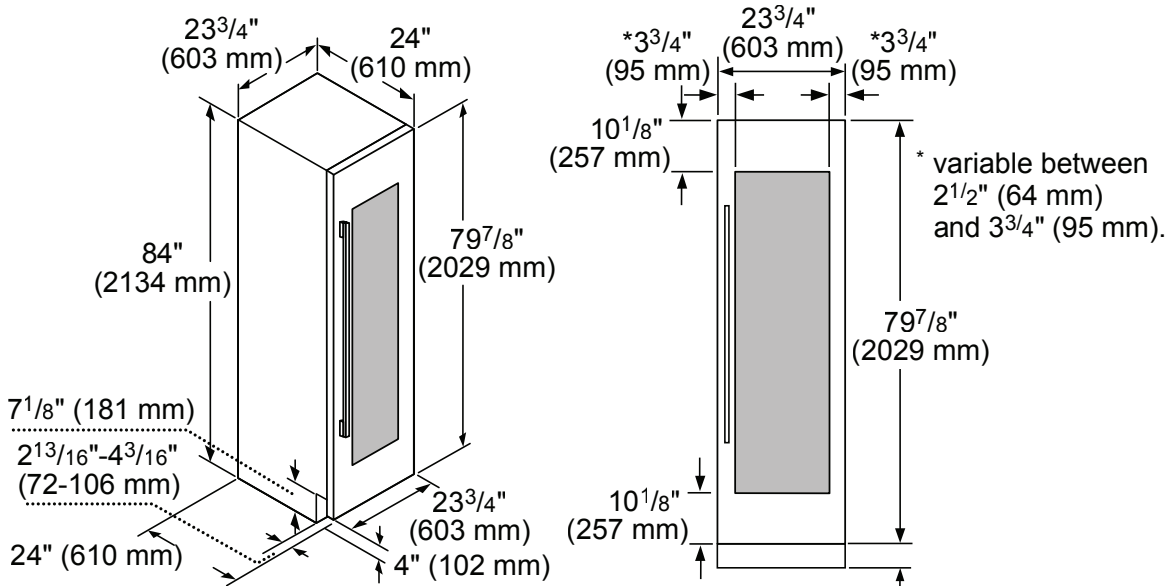
T24IW905SP

24-INCH BUILT-IN WINE PRESERVATION COLUMN

FREEDOM® COLLECTION, PANEL-READY



PRODUCT AND PANEL DIMENSIONS



ACCESSORIES (OPTIONAL)

FLAT STAINLESS STEEL DOOR PANELS

24-Inch Flat Stainless Steel Door Panel

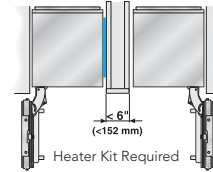


- TFL24IW800**
For use with Handle
- TFL24IW905**
Handleless

WINE PRESERVATION SHELF



- T24WINERK1**
24-Inch Wine Column Shelf, increases capacity to 99 bottles (750mL)



HEATRKIT20 – 13W @ 120V

Freedom® Heater Kit

When two appliances are installed side-by-side a sealing kit must be used. For combinations that involve a freezer column, this sealing kit is included. For all other (non-traditional, i.e. two wine columns, two bottom freezers, etc.) side-by-side combinations or instances where any appliances are installed less than 6-inches (152 mm) apart from one another but not connected side-by-side, purchase this kit. This kit is recommended for use with any installation in areas that are subject to humidity, or located next to an outside wall.

HANDLES

Choose between two options:



- PR36HNDL20**
36-Inch Professional Series Handle

or



- MS36HNDL20**
36-Inch Masterpiece® Series Handle

FRAMEKIT10

Freedom® Frame Kit
For any custom column installation in 24-inch deep cutouts. With two metal side trims whose placement between the interior cutout wall and the appliance helps overcome the challenge of unfinished cabinet returns.

These warranties give you specific legal rights and you may have other rights that vary from state to state. Limited warranty from date of purchase. For complete warranty details, refer to your Use & Care manual, or ask your dealer.

Specifications are for planning purposes only. Refer to installation instructions and consult your countertop supplier prior to making counter opening. Consult with a heating and ventilation engineer for your specific ventilation requirements. For the most detailed information, refer to installation instructions accompanying product or write to Thermador indicating the model number. Specifications are correct at time of printing. Thermador reserves the right to change product specifications or design without notice. Some models are certified for use in Canada. Thermador is not responsible for products that are transported from the U.S. for use in Canada.

24" Custom Panel Dishwasher

800 Series – Custom Panel SHVM78Z53N



SHVM78Z53N
Custom Panel

Patented CrystalDry™ technology transforms moisture into heat to get dishes, including plastics, 60% drier.¹

Features & Benefits

42 dBA: dishwasher runs quietly so your kitchen conversations aren't interrupted.

The Flexible 3rd Rack with fold down sides adds 30% more² loading area, perfect for utensils and ramekins.

Touch Control Technology allows for quick cycle programming.

The AquaStop® leak protection system contains leaks through a precisely engineered system. If a leak occurs, the system contains it by shutting down operation and pumping out water. So you have the ultimate peace of mind whether you are away or at home.



General Properties	
Number of wash cycles	6
Number of options	5
dBA	42
Drying system	CrystalDry™ option
Third rack	Flexible 3rd Rack
Rack adjustability	Rackmatic®
Tub material	Stainless Steel
Control type	Touch Control
Concealed water heating element	Yes
Leak protection system	24/7 AquaStop®
NSF®-certified ³ sanitize option	Yes
Water softener	No
Five-level wash	Yes
ChildLock	No
Special features	InfoLight®
Efficiency	
Water usage per cycle	3.5
Energy efficiency class	Tier 1
ENERGY STAR® qualified	Yes
Total annual energy consumption (kWh)	269
Total annual water consumption (g)	623.5
Capacity	
Number of place settings	16

Technical Details	
Watts (W)	1440 W
Current (A)	12 Amps
Volts (V)	120 V
Frequency (Hz)	60 Hz
Power cord full length	67"
Power cord install length from edge of unit when facing the door (in) ⁴	Left – 45" Right – 56"
Minimum water pressure (lb/sin)	14
Length outlet hose (in)	79"

Dimensions & Weight	
Overall appliance dimensions (HxWxD) (in)	33 7/8" x 23 9/16" x 23 1/16"
Required cutout size (HxWxD) (in)	33 7/8" x 23 5/8" x 24"
Adjustable feet	Yes
Net weight (lbs)	99 lbs

Accessories—Optional	
Junction Box	SMZPCJB1UC
Bosch Dishwasher Water Supply Hose	SMZSH002UC
Drain Hose Extension Kit	SGZ1010UC
Dishwasher Accessory Kit	SMZ5000
Anti-Tarnish Silverware Cassette	SMZ5002UC
Edge Protector + Power Cord Clip Install Kit	SMZEPCC1UC
Stainless Steel Straight Bosch Bar Handle	SMZ1007UC



¹Based on aggregate average drying performance of Bosch Dishwashers with CrystalDry on combined household load including plastics, glass, steel, and porcelain as compared to Bosch Dishwashers with PureDry. Drying performance may vary by dish type.

²Compared to a Bosch dishwasher with 2 racks.

³Certification to NSF/ANSI Standard 184 for residential dishwashers.

⁴September 2020 running production change to remove adhesive routing clips for power cord. These clips and the edge protector are now included in the dishwasher accessory kit # SMZEPCC1UC.

Accessories: To purchase Bosch accessories, cleaners & parts please visit www.bosch-home.com/us/store or call 1-800-944-2904 (Mon to Fri 5 am to 6 pm PST, Sat 6 am to 3 pm PST).

Notes: All height, width and depth dimensions are shown in inches. BSH reserves the absolute and unrestricted right to change product materials and specifications, at any time, without notice. Consult the product's installation instructions for final dimensional data and other details prior to making cutout.

Warranties: Please see Use & Care manual or Bosch website for statement of limited warranty.

For more information on our entire line of products, go to www.bosch-home.com/us or call 1-800-944-2904

© BSH Home Appliances Corporation. All rights reserved. Bosch is a registered trademark of Robert Bosch GmbH.

24" Custom Panel Dishwasher

800 Series – Custom Panel SHVM78Z53N



Installation Details

* measured from the bottom edge of the countertop panel thickness recommended 3/4" (20 mm).
 This dishwasher can accept custom door panel weights ranging from 7 to 24 lbs; however, the dishwasher comes from the factory ready for custom panel door weights from 11 to 18 lbs.
 If you plan on using a door panel that is not 11 to 18 lbs. please contact customer service at (800) 944-2904.
 ** 24" (610 mm) wide panel may be used depending on cabinet design
 Note: Refer to installation template for mounting hardware locations
 measurements in inches (mm)

Included:
 Pre-connected drain hose
 Toe-kick
 Power cord (3-prong plug)

A: Front view
 B: Drain hose
 C: Electrical Power Cord: length shown according to Installation Instructions
 D: Inlet
 E: Drain
 F: Electrical

All connections are at the rear of the appliance.
 Extension for drain hose available as accessory.
 Junction Box for hard wired connection available as an accessory.

Measurements in inches (mm)

Note: Cutout required on left or right cabinet wall, depending on location of water inlet, drain and electrical connection

Junction box accessory available for purchase SMZPCJB1UC (not included)

Example of Hardwire Installation

Note: Cutout required on left or right cabinet wall, depending on location of water inlet, drain and electrical connection

3-prong power cord included

Example of an Electrical Receptacle Installation

Accessories: To purchase Bosch accessories, cleaners & parts please visit www.bosch-home.com/us/store or call 1-800-944-2904 (Mon to Fri 5 am to 6 pm PST, Sat 6 am to 3 pm PST).

Notes: All height, width and depth dimensions are shown in inches. BSH reserves the absolute and unrestricted right to change product materials and specifications, at any time, without notice. Consult the product's installation instructions for final dimensional data and other details prior to making cutout.

Warranties: Please see Use & Care manual or Bosch website for statement of limited warranty.

For more information on our entire line of products, go to www.bosch-home.com/us or call 1-800-944-2904

© BSH Home Appliances Corporation. All rights reserved. Bosch is a registered trademark of Robert Bosch GmbH.

24" Custom Panel Dishwasher

800 Series – Custom Panel SHVM78Z53N

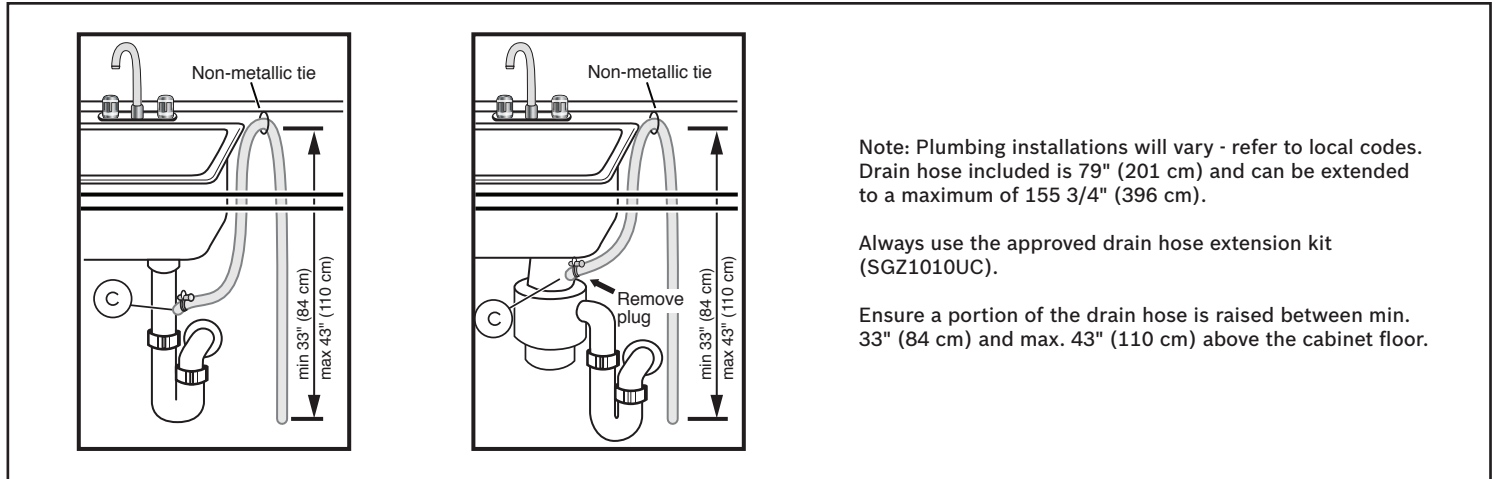


BOSCH

Invented for life



Installation Details



Accessories: To purchase Bosch accessories, cleaners & parts please visit www.bosch-home.com/us/store or call 1-800-944-2904 (Mon to Fri 5 am to 6 pm PST, Sat 6 am to 3 pm PST).

Notes: All height, width and depth dimensions are shown in inches. BSH reserves the absolute and unrestricted right to change product materials and specifications, at any time, without notice. Consult the product's installation instructions for final dimensional data and other details prior to making cutout.

Warranties: Please see Use & Care manual or Bosch website for statement of limited warranty.

For more information on our entire line of products, go to www.bosch-home.com/us or call 1-800-944-2904

© BSH Home Appliances Corporation. All rights reserved. Bosch is a registered trademark of Robert Bosch GmbH.

LG STUDIO

WSEX200HNA / WSGX201HNA

Ultra Large Capacity 5.0 cu. ft. Washer and
7.4 cu. ft. Dryer WashTower™ with Center Control™

Single Unit WashTower™ Design

Built-In Intelligence with AIDD/AI Fabric Sensor, Smart Learner, Smart Pairing™

Advanced Washing and Drying with TurboWash™ 360°, Allergiene™

Wash Cycle and TurboSteam® Technology

Steam Technology / AAFA Certified

Proactive Customer Care/ ThinQ® Technology

Includes Dryer Rack

Tempered Glass Door

NeveRust™ Stainless Steel Tub with Stainless Steel Lifters

LoDecibel™ Quiet Operation

Noble Steel Finish



LG
STUDIO



SUMMARY	Washer	Dryer
Type	Front Load Washer	Front Load Dryer
Capacity (cu.ft.)	5.0 cu. ft.	7.4 cu. ft.
Color	Noble Steel	
APPEARANCE	Washer	Dryer
Touch Buttons	Yes	-
Full Touch Electronic Control Panel with LED Display	Yes	-
Unified Center Control	Yes	-
ENERGY	Washer	Dryer
ENERGY STAR® Qualified	Yes	-
CEE Tier	Tier 3	-
IMEF	3.1	-
IWF	2.9	-
CEF	-	Electric: 3.94 Gas: 3.49
PROGRAMS	Washer	Dryer
No. of Programs	6	6
	Normal, Bedding, Delicates, Heavy Duty, Speed Wash, Downloaded	Normal, Bedding, Delicates, Heavy Duty, Small Load, Downloaded
OPTIONS	Washer	Dryer
No. of Options	13	12
	TurboWash®, Steam, Extra Rinse, Pre-wash, Sanitary, Tub Clean, Drum Light, Control Lock, Signal, Wi-Fi / Remote Start	Wrinkle Care, Steam, Reduce Static, Energy Saver, Steam Fresh, Drum Light, Control Lock, Signal, Wi-Fi / Remote Start
DETAILS	Washer	Dryer
No. of Wash/Rinse Temps	5	-
Wash/Rinse Temps	Hot, Warm/Hot, Warm, Cold/Warm, Cold	-
No. of Spin Speeds	5	-
Spin Speeds	High, Medium/High, Medium, Low, No Spin	-
Max RPM	1300	-
Water Levels	Load Sensing	-
No. of Soil Levels	5	-
Temperature Settings	-	High, Medium/High, Medium, Low/Medium, Low
Drying Levels	-	Very, More, Normal, Less, Damp
Manual Dry Times	-	60 min., 50 min., 40 min., 30 min., 20 min.

FABRIC CARE FEATURES	Washer	Dryer
AI DD™	Yes	-
TurboWash™ 360 Technology	Yes	-
Steam Technology	Yes	-
Allergiene™ Cycle	Yes (Cloud cycle)	-
Sanitary Cycle	Yes	-
SenseClean™ System	Yes	-
AI Sensor Dry™	-	Yes
Sensor Dry	-	Yes
Precise Temperature Control with Variable Heater	-	Yes
Steam Technology	-	Yes (TurboSteam™)
CONVENIENCE FEATURES	Washer	Dryer
TrueBalance™ Anti-Vibration System	Yes	-
4 Tray Dispenser	Prewash, Main Wash (with liquid detergent cup), Bleach, Fabric Softener	-
LoDecibel™ Quiet Operation	Yes	-
End of Cycle Signal	Yes	-
LoadSense	Yes	-
Child Lock	Yes	-
Auto Suds Removal	Yes	-
Leveling Legs	4 Adjustable Legs	-
Easy Loading TiTub™	Yes	-
Drum Light	Yes	-
Remaining Time Display/Status Indicator(s)	Yes	-
3 Minute Installation Check	-	Yes
LoDecibel™ Quiet Operation	-	Yes
End of Cycle Signal	-	Yes
Drum Light	-	Yes
FlowSense™ Duct Clogging Indicator	-	Yes
Wrinkle Care Option	-	Yes
Child Lock	-	Yes
Venting Option	-	Electric: 3 Way Venting / Gas: 2 Way Venting
4 Adjustable Legs	-	Yes
Remaining Time Display/Status Indicator(s)	-	Yes
ThinQ® TECHNOLOGY	Washer	Dryer
SmartDiagnosis™ (v3.0)	Yes	-
Wi-Fi	Yes	-
Remote Start and Cycle Monitor	Yes	-
Energy Monitoring	Yes	-
Smart Learner	Yes	-
Smart Pairing	Yes	-
PCC	Yes	-
Tub Clean Coach	Yes	-

MOTOR AND AGITATOR	Washer	Dryer
Motor Type	Inverter Direct Drive Motor	-
Axis	Horizontal	-
MATERIALS AND FINISHES	Washer	Dryer
NeveRust™ Stainless Steel Drum	Yes	-
Cabinet	PCM	-
Control Panel	Plastic	-
Top Plate	Steel	-
NeveRust™ Stainless Steel Drum	-	Yes
Drum Rear	-	Stainless Steel
Door / Rim	-	Large Circle Chrome Rim
Door Cover	-	Tinted Round Tempered Glass
CERTIFICATION	Washer	Dryer
AAFA	Yes	-
Intertek	Yes (Sanitary cycle)	Yes (Antibacterial cycle)
POWER SOURCE	Washer	Dryer
Ratings	CSA & UL Listed	-
Electrical Requirements	120V, 10 Amps	-
Type	Electric	-
Ratings	-	CSA & UL Listed
Electrical Requirements	-	120V, 15 Amps (Gas) 240V 30 Amps (Electric)
Type	-	Gas / Electric
BTU Rating	-	20,000 Feet
LP Conversion Kit	-	383EEL3002D
Side Venting Kit	-	383EEL9001B
Rack	-	Yes
DIMENSIONS	Washer	Dryer
Product (WxHxD)	27" x 74 3/8" x 32 3/4" (700mm x 1890mm x 830mm)	-
Depth with Door Open	-	58" D with door open
Carton (WxHxD)	-	30 1/16" x 79 11/32" x 33 23/32" (763mm x 2015mm x 856mm)
Weight (Product/Carton)	-	Electric: 320 lbs. / 355 lbs. Gas: 320 lbs. / 355 lbs.
LIMITED WARRANTY	Washer	Dryer
Parts and Labor	10 Years	2 Year
Direct Drive Motor	10 Years	-
Drum	-	3 Years
UPC CODES	Washer	Dryer
WSEX200HNA (Noble Steel)	195174000595	-
WSGX201HNA (Noble Steel)	195174000601	-

WSEX200HNA / WSGX201HNA

Ultra Large Capacity 5.0 cu. ft. Washer and
7.4 cu. ft. Dryer WashTower™ with Center Control™

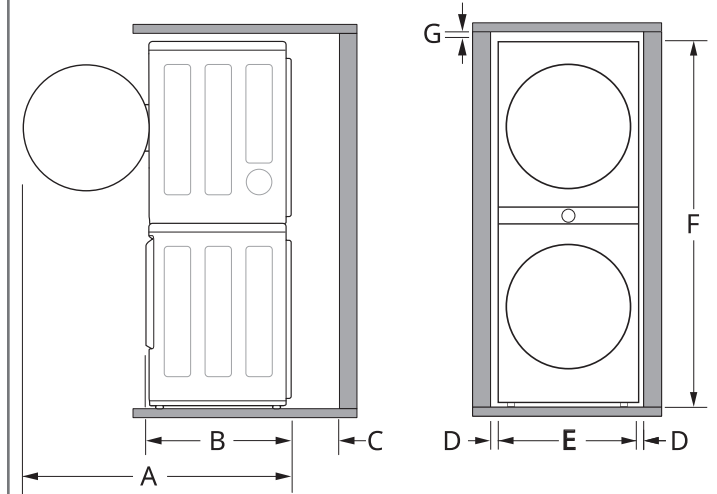
QUICK INSTALL & CLEARANCES

For full installation directions/clearances please refer to the corresponding User Manual and Installation Guide.

POWER SOURCE	WASHER	DRYER
Ratings	CSA & UL Listed	—
Electrical Requirements	120V, 10 Amps	—
Type	Electric	—
Ratings	—	CSA & UL Listed
Electrical Requirements	—	120V, 15 Amps (Gas) 240V 30 Amps (Electric)
Type	—	Gas / Electric
BTU Rating	—	20,000 Feet
LP Conversion Kit	—	383EEL3002D
Side Venting Kit	—	383EEL9001B
Rack	—	Yes
CERTIFICATION	WASHER	DRYER
AAFA	Yes	—
Intertek	Yes(Sanitary cycle)	Yes(Antibacterial cycle)

DIMENSIONS / CLEARANCES

A	Depth with Door Open	55"
B	Depth	32 3/4"
C	Rear Clearance	4"
D	Side Clearances	1"
E	Width	27"
F	Height	74 3/8"
G	Top Clearance	1/4"
H	Depth when door is fully opened	48 5/8"



INSTALLATION OVERVIEW

Please read the **Installation Manual** first after purchasing this appliance or transporting it to another location.

- 1 Choosing the Proper Location
- 2 Unpacking and Removing Shipping Material
- 3 Connecting the Electric Dryer
- 4 Connecting the Gas Dryer
- 5 Venting the Dryer
- 6 Connecting the Inlet Hoses
- 7 Connecting the Drain Hose
- 8 Leveling the Appliance
- 9 Final Installation Check

