
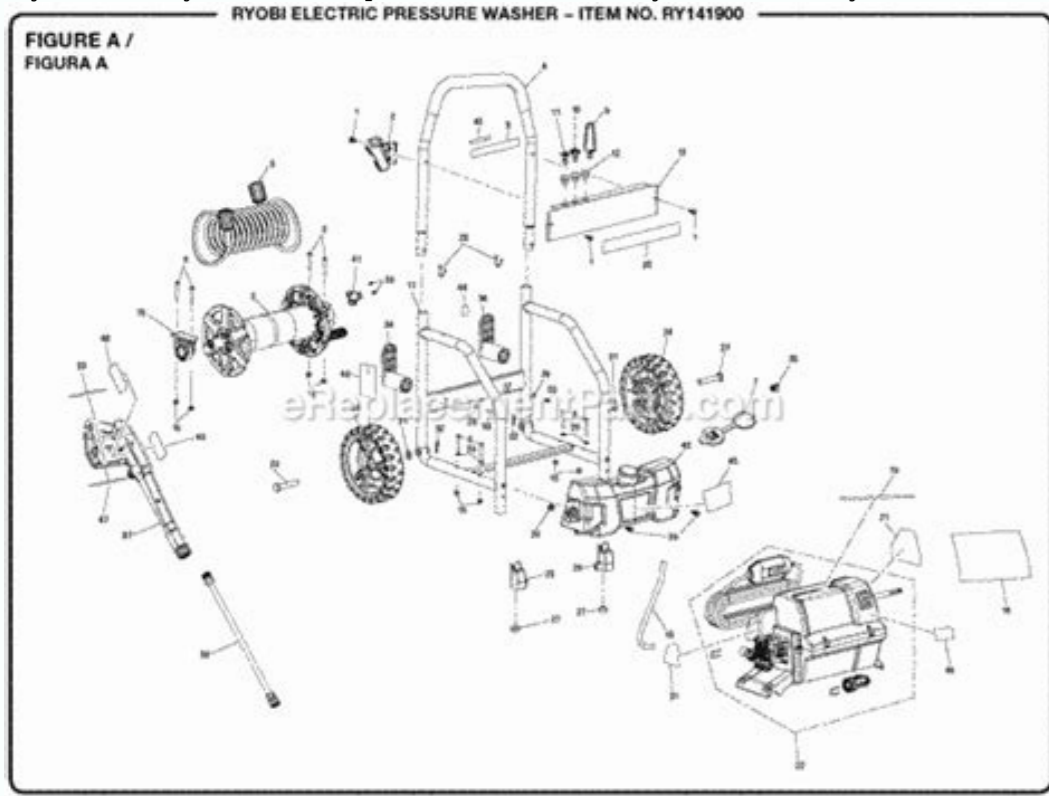


I'm not robot  reCAPTCHA

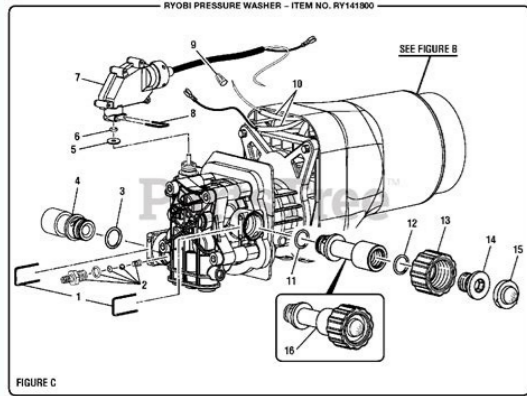
I'm not robot!

Ryobi 2000 psi pressure washer parts list

If you own a Ryobi 2000 PSI pressure washer, then you'll most likely be aware of instances wherein something may go wrong with it. In that situation, you need to be able to troubleshoot your machine so you'll know how to fix it. That's why we created this guide in the first place.



We're going to help you troubleshoot your Ryobi 2000 psi pressure washer parts so that you can fix it anytime that you need to. Check out our simple Ryobi 2000 PSI pressure washer repair guide right below. For the first time users out there, this guide will be extremely useful. With that said, let's move on to the easy tips on Troubleshooting Ryobi 2000 PSI pressure washer. In this guide, we're going to list down some of the most common problems you may experience with your machine and provide you with the possible solutions. First of all, let's talk about the most common problem that anyone with a pressure washer will experience— the engine not starting. For this problem, the first thing to check is the spark plug. If it is damaged, you'll need to replace it. Next, take a look at the carburetor. If you're fond of leaving fuel in your machine for a long time, there's a big chance that your carburetor will be clogged. If it is, then you must simply clean it up. Another thing that you may want to check is the ignition coil. The ignition coil is a part that is connected to the spark plug and will also result in an engine that won't start if damaged. If the ignition coil is damaged, then you may want to change it. If your machine stalls, then a possible problem is the carburetor. Just like in the first problem, the carburetor is most likely clogged. All you need to do is clean it up. Next is the fuel cap. You need to check the small air vent in the fuel cap for clogs. If it is, then you need to loosen the cap a bit. From there, check the engine to see if it will work. Loosening it will allow air to go inside, allowing the fuel cap to work. The next thing to check out for is water leaks. The main part you need to check is the pump assembly. If the water is leaking out of the machine, then the pump assembly is most likely damaged. You'll need to replace it in this case. If the machine has no pressure or weak pressure, then the problem again, may be due to the pump assembly. Again, you need to rebuild or replace it in order to ensure that the pressure comes back. Now that we're done with our short and simple troubleshooting guide, there's one more thing we'd like to add— our favorite Ryobi pressure washer. If you're interested in buying one but haven't yet, we'd like to suggest this one. The Ryobi 1.2 GPM electric pressure washer is a strong machine but a lightweight one. It has a PSI of 2000 which is strong enough to remove even stubborn grease stains from concrete. It also has a very tight nozzle fit, allowing the nozzle to keep on no matter how strong the pressure gets.



Lastly, it comes with easy to use handles for carrying. Via: Amazon.com Can remove stubborn oil and grease stains Fragrance discs include Tight nozzle fit Comes with an easy to use handle 2000 PSI and 1.2 GPM Lightweight built Soap container is a bit loose Reel is hard to use Wheels are not that durable With our simple guide on how to troubleshoot Ryobi 2000 psi pressure washer parts, you're now ready to own one yourself. So, we recommend that you purchase a brand new Ryobi 1.2 GPM Electric Pressure Washer we've mentioned above and keep this guide on hand. You'll have a lot of fun using it. 1 Bolt M6 X 20 Mm \$2.99 Part Number:660481019 Ships in 5 - 11 business days Ships in 5 - 11 business days Note: 12-16-19 (Rev:01) \$2.99 Ships in 5 - 11 business days 2 Trigger Handle Holder \$2.99 Part Number:519313010 In Stock, 12 available \$2.99 In Stock, 12 available 3 Hose Reel Assembly \$17.79 Part Number:309008004 Ships in 5 - 11 business days Ships in 5 - 11 business days \$17.79 Ships in 5 - 11 business days 4 Handle Assembly \$18.84 Part Number:310224071 In Stock, 5 available \$18.84 In Stock, 5 available 5 High Pressure Hose \$33.82 Part Number:308835065 In Stock, 25+ available Note: 12-16-19 (Rev:01) \$33.82 In Stock, 25+ available 6 Screws (M6 x 45 mm) Obsolete - Not Available \$2.99 Part Number:660481015 Discontinued 7 Blue Soap Tank Cap \$2.99 Part Number:310650004 In Stock, 2 available Note: 2-20-19 (Rev:01) \$2.99 In Stock, 2 available 8 Quick Start Label Obsolete - Not Available \$2.99 Part Number:940617119 Discontinued 9 Turbo Nozzle Obsolete - Not Available \$7.04 Part Number:308311014 Discontinued Note: 12-13-17 (Rev:01) 10 Soap Nozzle \$10.27 Part Number:308706013 In Stock, 12 available Note: 12-16-19 (Rev:01) \$10.27 In Stock, 12 available 11 15 Nozzle Obsolete - Not Available \$3.17 Part Number:308698023 Discontinued 12 Nozzle Grommet \$2.99 Part Number:561383021 In Stock, 8 available Note: 12-13-17 (Rev:01) \$2.99 In Stock, 8 available 13 Performance Panel \$5.42 Part Number:678973008 In Stock, 2 available \$5.42 In Stock, 2 available 14 Logo Label \$2.99 Part Number:940705265 Ships in 5 - 11 business days Ships in 5 - 11 business days \$2.99 Ships in 5 - 11 business days 15 Hose Reel Bracket \$2.99 Part Number:522941003 Ships in 5 - 11 business days Ships in 5 - 11 business days \$2.99 Ships in 5 - 11 business days 16 Lock Nut (M6) \$2.99 Part Number:678460001 In Stock, 2 available Note: 2-14-20 (Rev:02) \$2.99 In Stock, 2 available 17 Main Frame Obsolete - Not Available \$40.14 Part Number:308582061 Discontinued 18 Injection Hose \$2.99 Part Number:561399014 In Stock, 1 available \$2.99 In Stock, 1 available 19 Nozzle Select Label \$2.99 Part Number:940786041 Ships in 5 - 11 business days Ships in 5 - 11 business days \$2.99 Ships in 5 - 11 business days 20 Performance Label \$2.99 Part Number:940779142 Ships in 5 - 11 business days Ships in 5 - 11 business days \$2.99 Ships in 5 - 11 business days 21 Danger Label Obsolete - Not Available \$2.99 Part Number:940707039 Discontinued 23 Wheel Axle Obsolete - Not Available \$2.99 Part Number:620599018 Discontinued 24 Wheel Obsolete - Not Available \$9.07 Part Number:308451054 Discontinued 25 Foot (Left) Obsolete - Not Available \$2.99 Part Number:523406004 Discontinued 26 Foot (Right) Obsolete - Not Available \$2.99 Part Number:523406005 Discontinued 27 Foot Pad \$2.99 Part Number:570554017 Ships in 5 - 11 business days Ships in 5 - 11 business days \$2.99 Ships in 5 - 11 business days 28 Spring Clip W/Button Obsolete - Not Available \$2.99 Part Number:308421002 Discontinued 29 Washer M6 Obsolete - Not Available \$2.99 Part Number:678600010 Discontinued 30 31 Washer (ID125 x OD24 x 2t) \$2.99 Part Number:678889003 Ships in 5 - 11 business days Ships in 5 - 11 business days Note: 5-14-19 (Rev:01) \$2.99 Ships in 5 - 11 business days 32 Hitch Pin \$2.99 Part Number:678238004 Ships in 5 - 11 business days Ships in 5 - 11 business days \$2.99 Ships in 5 - 11 business days 33 Soap Tank Grommet \$2.99 Part Number:561383028 In Stock, 5 available Note: 10-31-17 (Rev:01) \$2.99 In Stock, 5 available 34 Cord Wrap Arm \$2.99 Part Number:522037003 Ships in 5 - 11 business days Ships in 5 - 11 business days \$2.99 Ships in 5 - 11 business days 35 Cord Clamp \$2.99 Part Number:522051003 Ships in 5 - 11 business days Ships in 5 - 11 business days Note: 12-13-17 (Rev:01) \$2.99 Ships in 5 - 11 business days 36 Screw M4 X 15 Mm Obsolete - Not Available \$2.99 Part Number:661403016 Discontinued Note: 10-31-17 (Rev:01) 37 Trigger Handle \$33.83 Part Number:308760071 In Stock, 25+ available \$33.83 In Stock, 25+ available 38 Spray Wand \$20.14 Part Number:308494077 In Stock, 25+ available Note: 10-31-17 (Rev:01) \$20.14 In Stock, 25+ available 39 Shoulder Bolt (M6 X 16 Mm) \$2.99 Part Number:660481022 Ships in 5 - 11 business days Ships in 5 - 11 business days \$2.99 Ships in 5 - 11 business days 40 Detergent Tank \$16.31 Part Number:580875016 In Stock, 5 available \$16.31 In Stock, 5 available 41 Hose Clip \$2.99 Part Number:529062001 Ships in 5 - 11 business days Ships in 5 - 11 business days \$2.99 Ships in 5 - 11 business days 42 Warning Hangtag \$2.99 Part Number:940473023 Ships in 5 - 11 business days Ships in 5 - 11 business days \$2.99 Ships in 5 - 11 business days 43 Inquiries Label \$2.99 Part Number:941486008 Ships in 5 - 11 business days Ships in 5 - 11 business days Note: 10-23-17 (Rev:01) \$2.99 Ships in 5 - 11 business days 44 Cord Unlock Label Obsolete - Not Available \$2.99 Part Number:941076001 Discontinued 45 Detergent Tank Label \$2.99 Part Number:941608007 In Stock, 2 available \$2.99 In Stock, 2 available 46 On/Off Switch Label Obsolete - Not Available \$2.99 Part Number:940734079 Discontinued 47 Trigger Handle Rating Label Obsolete - Not Available \$2.99 Part Number:940904003 Discontinued Note: 12-13-17 (Rev:01) 48 Trigger Handle Label Obsolete - Not Available \$2.99 Part Number:940786027 Discontinued 50 Label Trigger Handle/FR-ES \$2.99 Part Number:940654228 Ships in 5 - 11 business days Ships in 5 - 11 business days Note: 10-23-17 (Rev:01) \$2.99 Ships in 5 - 11 business days 51 Pump Label \$2.99 Part Number:941002168 Ships in 5 - 11 business days Ships in 5 - 11 business days \$2.99 Ships in 5 - 11 business days 1 Top Motor Housing \$11.42 Part Number:522032010 In Stock, 1 available \$11.42 In Stock, 1 available 2 Screw M4 X 15 Mm Obsolete - Not Available \$2.99 Part Number:661403016 Discontinued Note: 10-31-17 (Rev:01) 3 Switch \$6.33 Part Number:760504007 Backorder: No ETA Note: 12-16-19 (Rev:01) 4 Pressure Switch \$13.92 Part Number:310870002 In Stock, 25+ available \$13.92 In Stock, 25+ available 5 "U" Clip Obsolete - Not Available \$2.99 Part Number:678799014 Discontinued 6 O-Ring \$2.99 Part Number:570742071 In Stock, 25+ available \$2.99 In Stock, 25+ available 7 Washer Brass Obsolete - Not Available \$2.99 Part Number:638397003 Discontinued 8 Switch Cover Gasket Obsolete - Not Available \$2.99 Part Number:570740016 Discontinued Note: 12-13-17 (Rev:01) 9 Grommet Obsolete - Not Available \$2.99 Part Number:561383024 Discontinued Note: 12-13-17 (Rev:01) 10 Grommet (1) Obsolete - Not Available \$2.99 Part Number:561383012 Discontinued Note: 12-13-17 (Rev:01) 11 Switch Cover Obsolete - Not Available \$2.99 Part Number:570417002 Discontinued Note: 12-13-17 (Rev:01) 12 Screw M3 X 14 Mm Obsolete - Not Available \$2.99 Part Number:661403015 Discontinued Note: 12-13-17 (Rev:01) 13 U Clip \$2.99 Part Number:678799013 In Stock, 8 available \$2.99 In Stock, 8 available 14 Outlet Tube Assembly \$5.33 Part Number:308862005 In Stock, 18 available \$5.33 In Stock, 18 available 15 Screw M3.5 X 20 Mm Obsolete - Not Available \$2.99 Part Number:661610008 Discontinued Note: 12-13-17 (Rev:01) 16 Cord Clamp \$2.99 Part Number:522051003 Ships in 5 - 11 business days Ships in 5 - 11 business days Note: 12-13-17 (Rev:01) \$2.99 Ships in 5 - 11 business days 17 Electrical Cord \$71.19 Part Number:290426020 In Stock, 25+ available \$71.19 In Stock, 25+ available 18 Grommet Obsolete - Not Available \$2.99 Part Number:561383025 Discontinued Note: 12-16-19 (Rev:01) 19 Lower Motor Housing \$15.37 Part Number:522038010 Ships in 5 - 11 business days Ships in 5 - 11 business days \$15.37 Ships in 5 - 11 business days 20 90 Degree Inlet Assembly Obsolete - Not Available \$12.44 Part Number:308861007 Discontinued 21 Pump Assembly Obsolete - Not Available \$2.99 Part Number:308861016 Discontinued 22 Washer Id6.3 X Od18 X 1.5T \$2.99 Part Number:638128016 Ships in 5 - 11 business days Ships in 5 - 11 business days \$2.99 Ships in 5 - 11 business days 24 Cord Plug Label Obsolete - Not Available \$2.99 Part Number:940603006 Discontinued Note: 12-16-19 (Rev:01) 25 Cord Wrap Label \$2.99 Part Number:940324032 Ships in 5 - 11 business days Ships in 5 - 11 business days Note: 10-31-17 (Rev:01) \$2.99 Ships in 5 - 11 business days A-800 Operators Manual Obsolete - Not Available \$2.99 Part Number:991000317 Discontinued A-800 Quick Reference Guide Obsolete - Not Available \$2.99 Part Number:991000318 Discontinued

